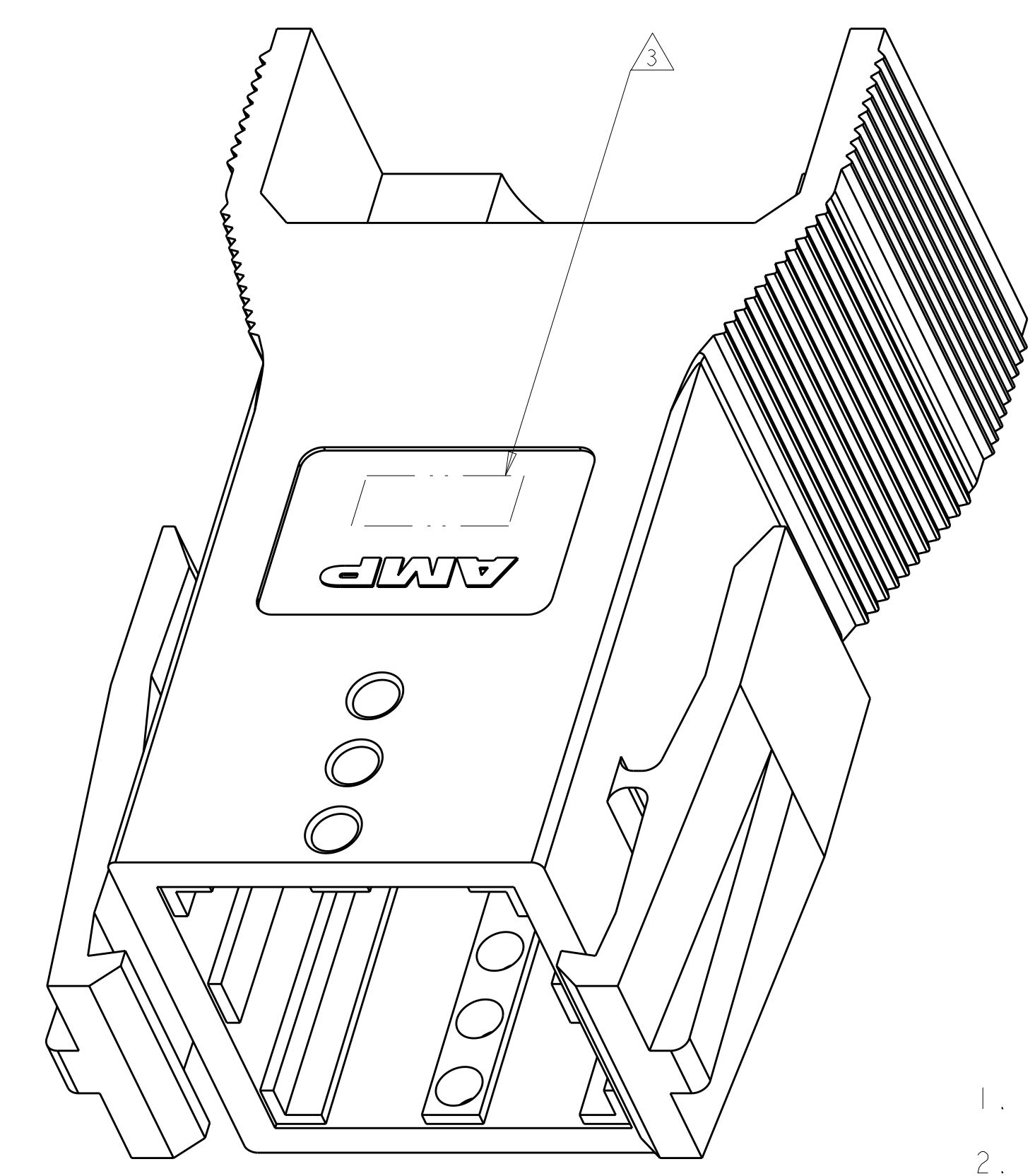
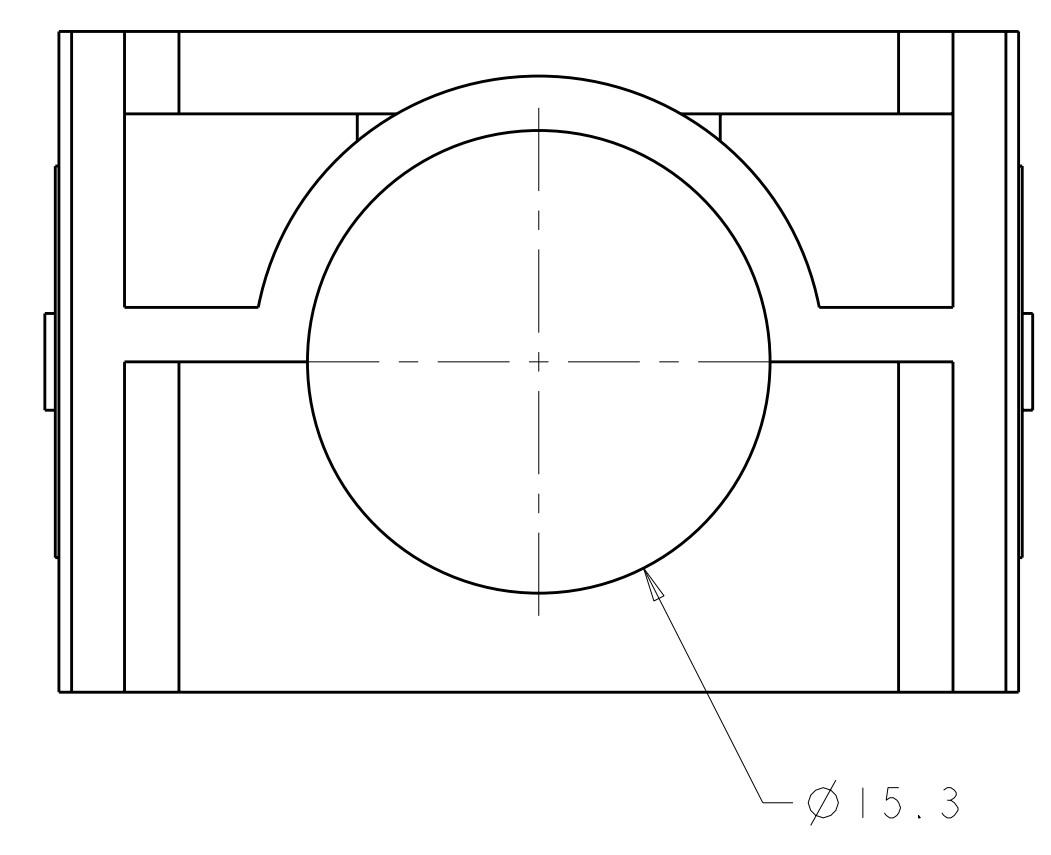
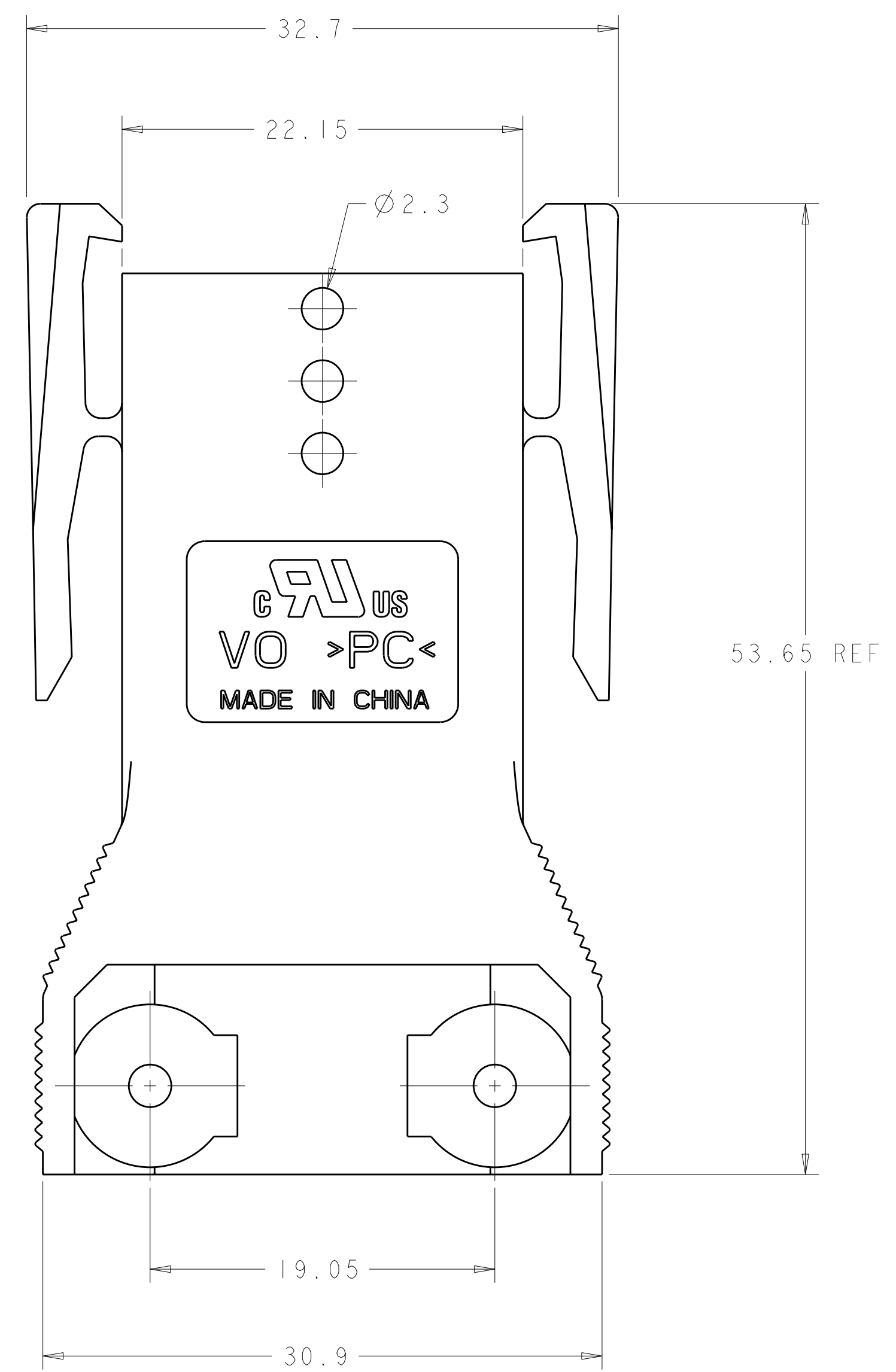
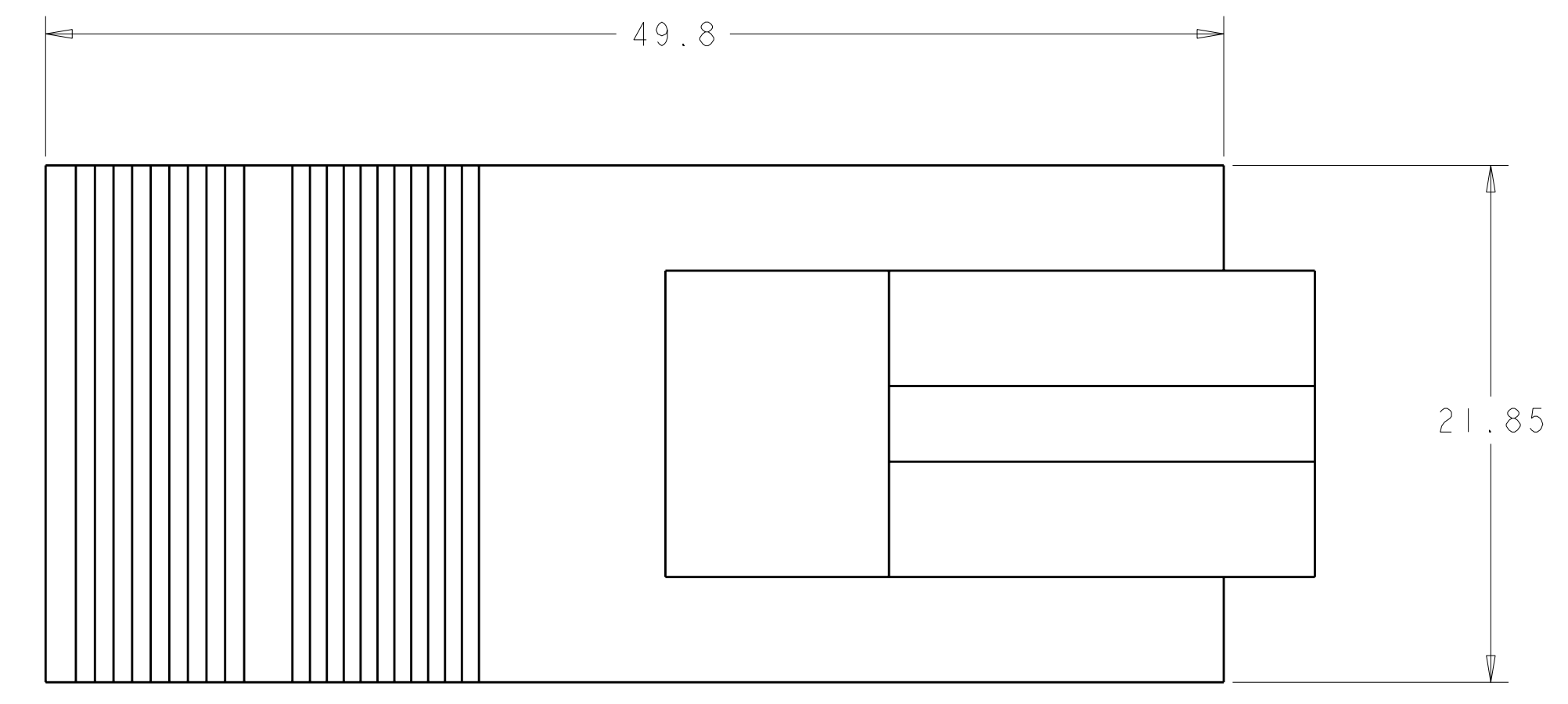


LOC		DIST		REVISIONS			
FT	0	REV	DATE	DATE	DWN	APVD	
		B	REVISED PER ECO-11-005167	03JUN2011	HMR	DY	



1. MATERIAL: POLYCARBONATE 94-V0
 2. COLOR: BLACK
- △ 3 TE OR TE CONNECTIVITY LOGO LOCATED APPROX IN THIS AREA.



1604083-1
PART NUMBER

THIS DRAWING IS A CONTROLLED DOCUMENT.		DWN	B. HAYMAKER	09JAN2002	NAME		HOUSING, 2X2 POWER SERIES PLUG WITH LATCH					
DIMENSIONS:		CHK	K. KETELSLEGER	14MAR02	PRODUCT SPEC		-					
TOLERANCES UNLESS OTHERWISE SPECIFIED:		APVD	K. KETELSLEGER	14MAR02	APPLICATION SPEC		-					
mm	0 PLC ±0.13	MATERIAL		WEIGHT		SIZE		CAGE CODE	DRAWING NO	RESTRICTED TO		
	1 PLC ±0.13	FINISH		CUSTOMER DRAWING		SCALE		4:1	SHEET	1 OF 1	REV	B
	2 PLC ±0.13											
	3 PLC ±0.13											
	4 PLC ±0.13											
	ANGLES ±°											
	FINISH ±30°											

单击下面可查看定价，库存，交付和生命周期等信息

[>>TE Connectivity\(泰科\)](#)