

THIS DRAWING IS UNPUBLISHED.

RELEASED FOR PUBLICATION

ALL RIGHTS RESERVED.

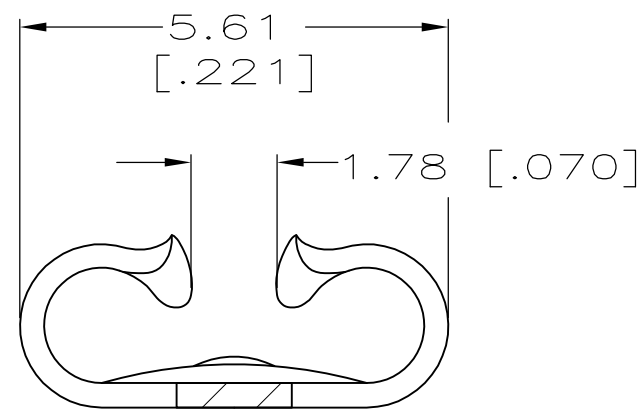
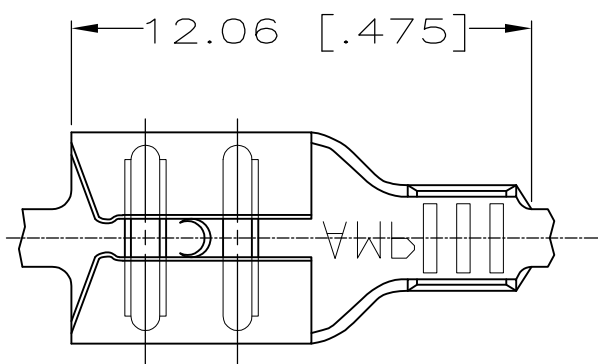
© COPYRIGHT - By -

LOC AF DIST 50

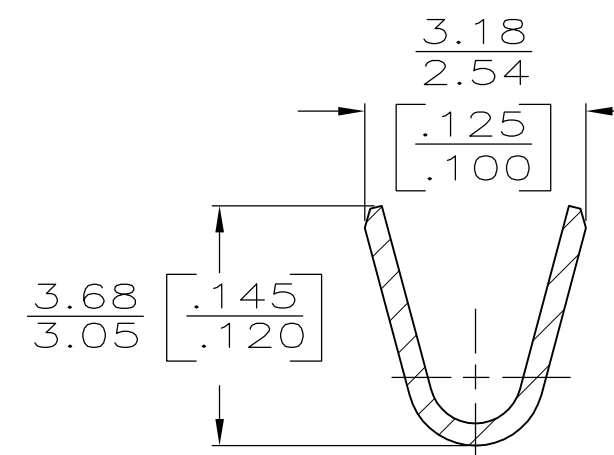
REVISIONS

P	LTR	DESCRIPTION	DATE	DWN	APVD
	C	REVISED PER ECR-12-013518	10DEC12	KH	PD

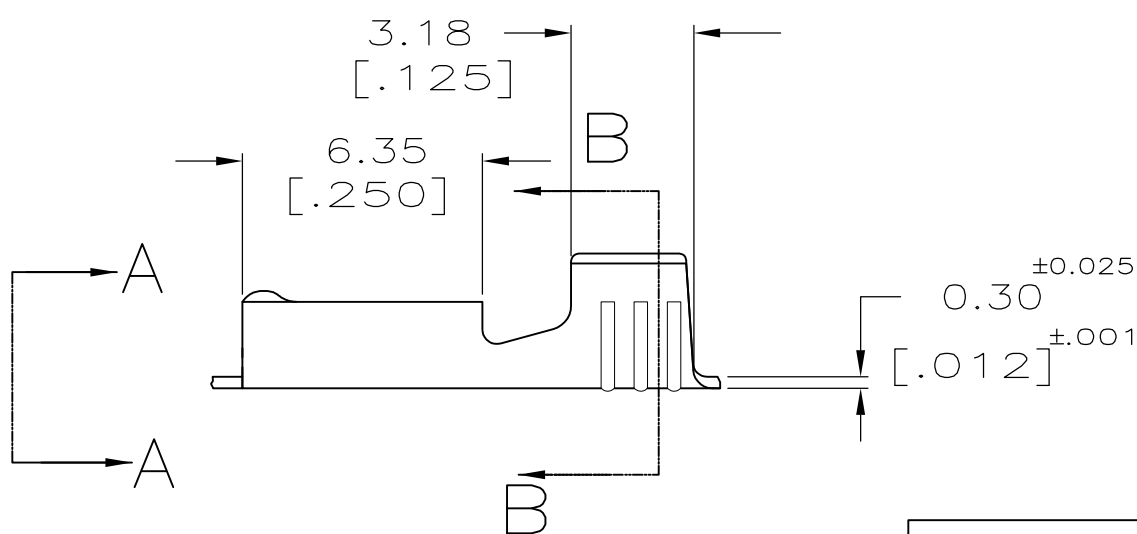
1 CONTINUOUS STRIP ON REELS



VIEW A-A
SCALE 10:1



SECTION B-B
SCALE 10:1



-	0.5-1.3mm ² [20-16] AWG	0.81 [.032]	63785-1
FINISH	WIRE SIZE	MATING TAB THK ±0.025 [.001]	PART NO

THIS DRAWING IS A CONTROLLED DOCUMENT.

DIMENSIONS: mm [INCHES]	TOLERANCES UNLESS OTHERWISE SPECIFIED:
	0 PLC ± -
	1 PLC ± -
	2 PLC ± 0.38 [.015]
	3 PLC ± -
	4 PLC ± -
ANGLES ± -	

MATERIAL BRASS	FINISH SEE TABLE
-------------------	---------------------

DWN JR RUTH 4/11/94	TE Connectivity			
CHK P FORTNEY 4/11/94				
APVD P DESANTIS 4/11/94				
PRODUCT SPEC -	NAME RECEPTACLE, FASTON, TM 4.75 [.187] SERIES			
APPLICATION SPEC 114-2036	SIZE A3	CAGE CODE 00779	DRAWING NO C-63785	RESTRICTED TO -
WEIGHT -	CUSTOMER DRAWING		SCALE 5:1	SHEET 1 OF 1
			REV C	

单击下面可查看定价，库存，交付和生命周期等信息

[>>TE Connectivity\(泰科\)](#)