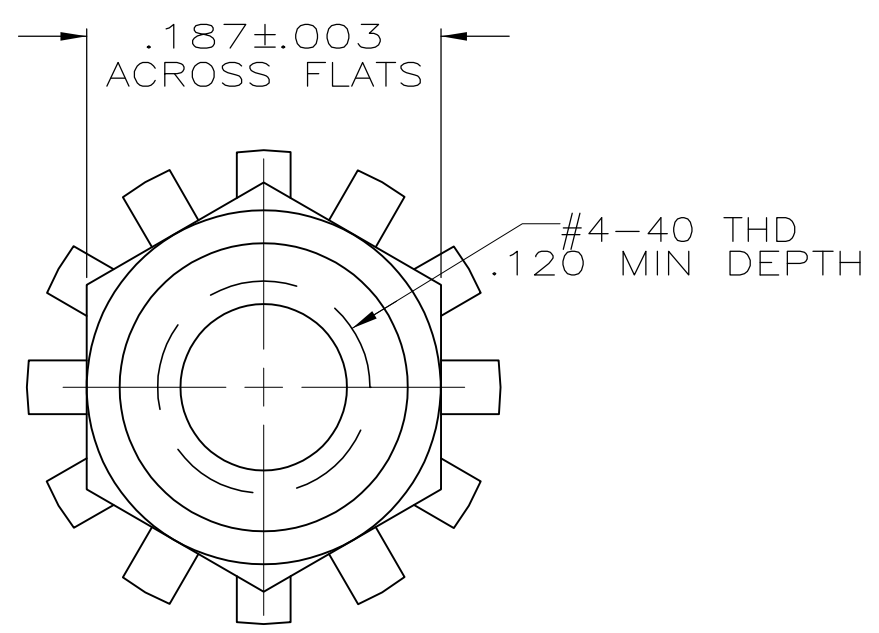
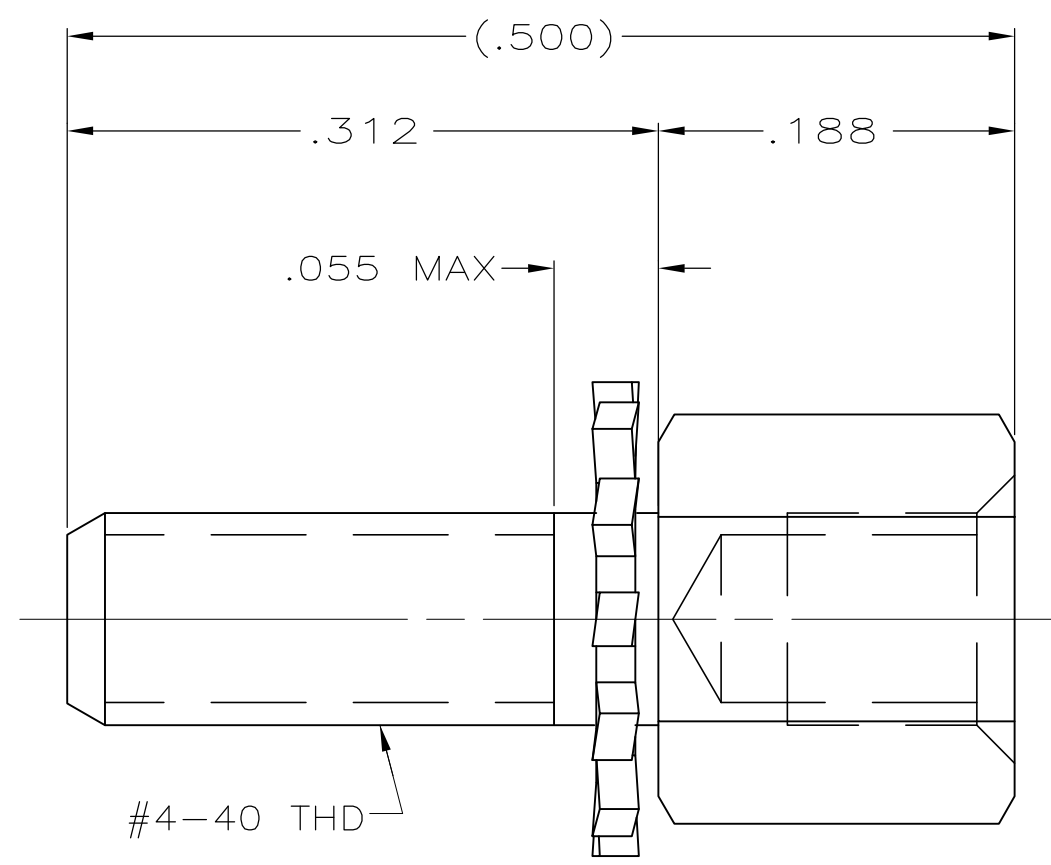


THIS DRAWING IS UNPUBLISHED. RELEASED FOR PUBLICATION  
 © COPYRIGHT - By - ALL RIGHTS RESERVED.

| LOC | DIST | REVISIONS   |                           |         |        |
|-----|------|-------------|---------------------------|---------|--------|
| P   | LTR  | DESCRIPTION | DATE                      | DWN     | APVD   |
| BD  | 39   | P           |                           |         |        |
|     |      | P           | REVISED PER ECO-11-004835 | 11MAR11 | RK HMR |



- 1 ZINC PLATED .000200-.000400 THICK CLEAR CHROMATE COATING.
- 2 PARTS PACKAGED AS A UNIT KIT.
- 3 PARTS INDIVIDUALLY BULK PACKED & SHIPPED AS A UNIT PACKAGE.

| PACKAGING | QUANTITY | FINISH | PART NO   |
|-----------|----------|--------|-----------|
| 3         | 2        | 1      | 5748558-4 |
| 2         | 2        | 1      | 5748558-3 |

|   |        |                          |   |                      |     |       |     |       |        |       |     |        |     |                |                 |  |
|---|--------|--------------------------|---|----------------------|-----|-------|-----|-------|--------|-------|-----|--------|-----|----------------|-----------------|--|
| THIS DRAWING IS A CONTROLLED DOCUMENT.  |        | DWN R.RICHARDSON 29JUN05 | <b>STE</b> TE Connectivity  |                      |     |       |     |       |        |       |     |        |     |                |                 |  |
| DIMENSIONS: INCHES  |        | CHK J.GERACE 29JUN05     |   |                      |     |       |     |       |        |       |     |        |     |                |                 |  |
| TOLERANCES UNLESS OTHERWISE SPECIFIED:  |        | APVD M.WALMSLEY 29JUN05  | NAME FEMALE SCREWLOCK KIT, W/ EXTERNAL TOOTH LOCK WASHER, AMPLIMITE |                      |     |       |     |       |        |       |     |        |     |                |                 |  |
| <table border="1"> <tr><td>0 PLC</td><td>± -</td></tr> <tr><td>1 PLC</td><td>± -</td></tr> <tr><td>2 PLC</td><td>± -</td></tr> <tr><td>3 PLC</td><td>± .005</td></tr> <tr><td>4 PLC</td><td>± -</td></tr> <tr><td>ANGLES</td><td>± -</td></tr> </table> |        | 0 PLC                    | ± -   | 1 PLC                | ± - | 2 PLC | ± - | 3 PLC | ± .005 | 4 PLC | ± - | ANGLES | ± - | PRODUCT SPEC - | RESTRICTED TO - |  |
| 0 PLC   | ± -    |                          |   |                      |     |       |     |       |        |       |     |        |     |                |                 |  |
| 1 PLC   | ± -    |                          |   |                      |     |       |     |       |        |       |     |        |     |                |                 |  |
| 2 PLC   | ± -    |                          |   |                      |     |       |     |       |        |       |     |        |     |                |                 |  |
| 3 PLC   | ± .005 |                          |   |                      |     |       |     |       |        |       |     |        |     |                |                 |  |
| 4 PLC   | ± -    |                          |   |                      |     |       |     |       |        |       |     |        |     |                |                 |  |
| ANGLES  | ± -    |                          |   |                      |     |       |     |       |        |       |     |        |     |                |                 |  |
| MATERIAL COLD ROLLED STEEL  |        | FINISH SEE TABLE         | APPLICATION SPEC -  | SIZE A3              |     |       |     |       |        |       |     |        |     |                |                 |  |
|   |        | WEIGHT -                 | CAGE CODE 00779   | DRAWING NO C-5748558 |     |       |     |       |        |       |     |        |     |                |                 |  |
| CUSTOMER DRAWING  |        |                          | SCALE 10:1  | SHEET 1 OF 1         |     |       |     |       |        |       |     |        |     |                |                 |  |
|   |        |                          | REV P   |                      |     |       |     |       |        |       |     |        |     |                |                 |  |

单击下面可查看定价，库存，交付和生命周期等信息

[>>TE Connectivity\(泰科\)](#)