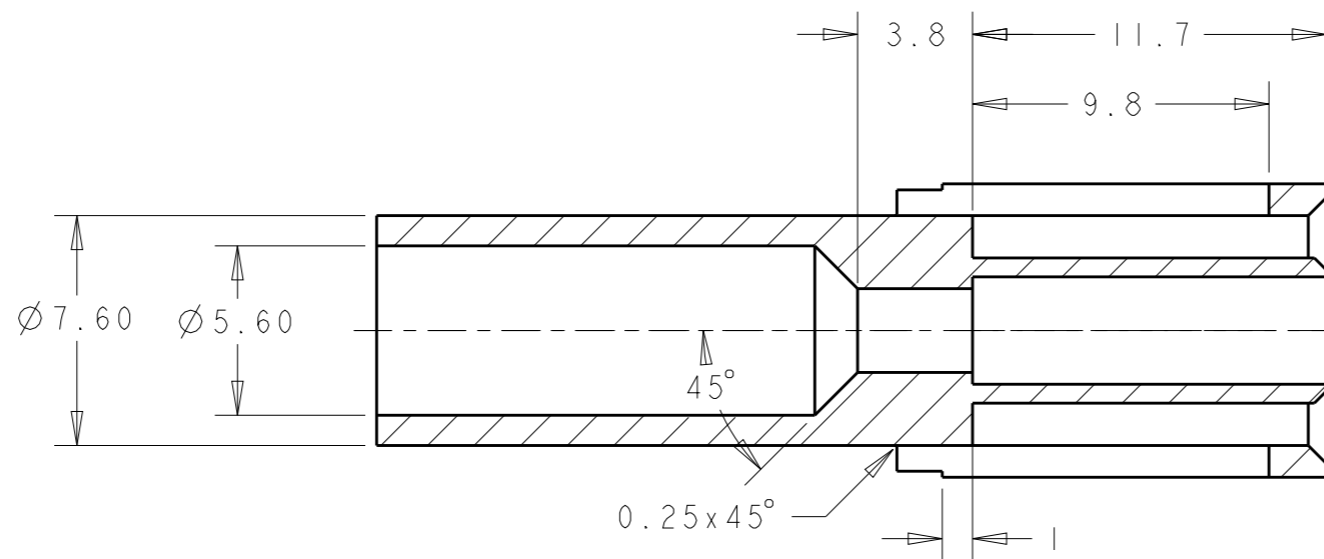
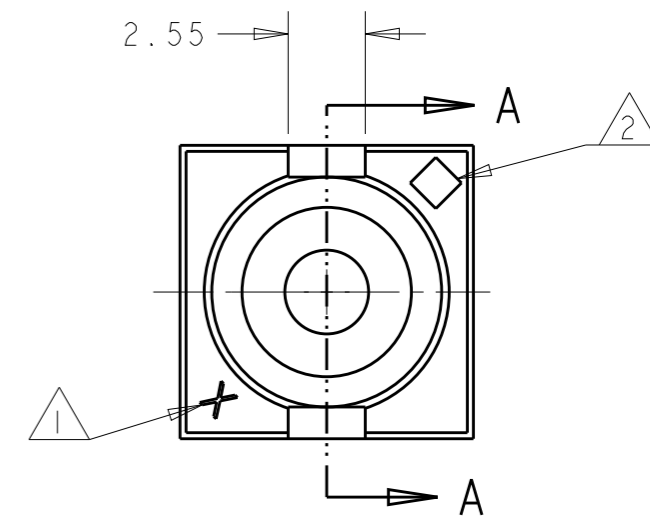
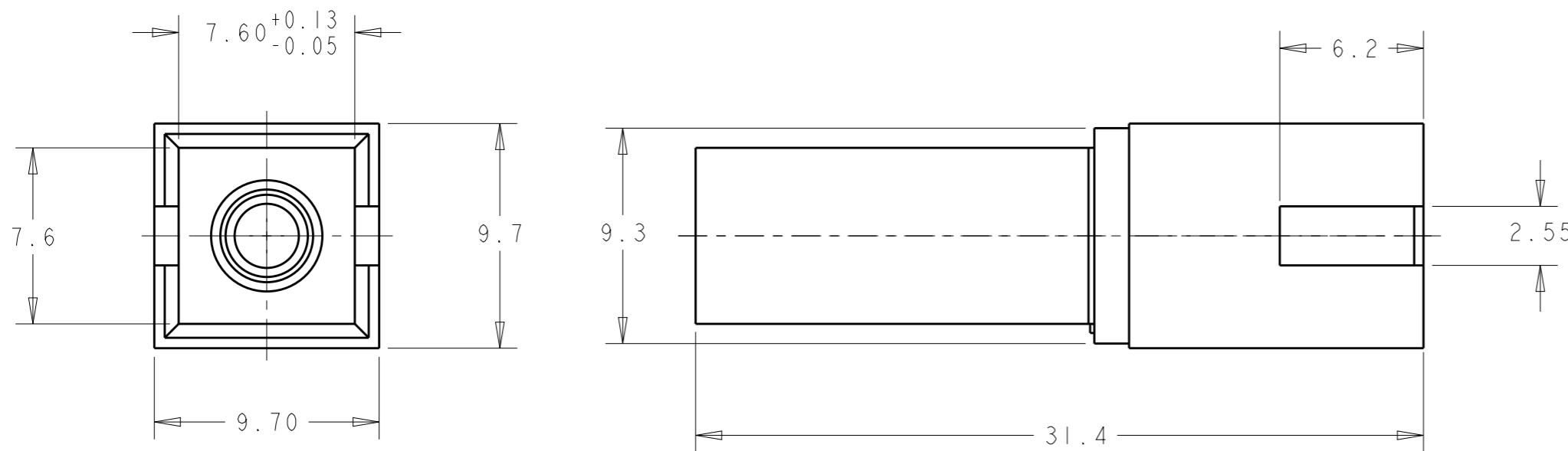


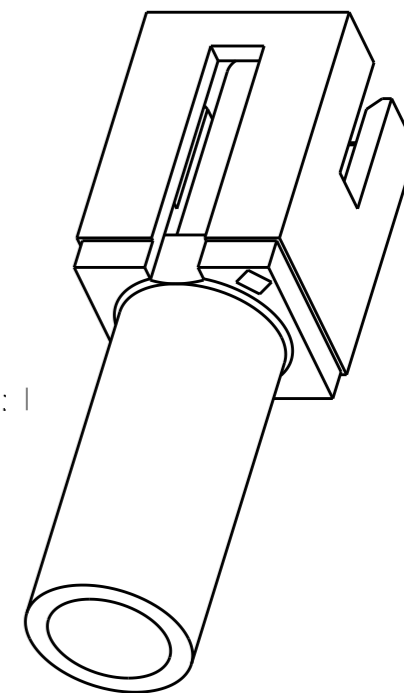
THIS DRAWING IS UNPUBLISHED
 RELEASED FOR PUBLICATION 2008
 © COPYRIGHT 2008 BY - ALL RIGHTS RESERVED.

LOC	DIST	REVISIONS			
P	LTR	DESCRIPTION	DATE	DWN	APVD
IR	-	A3	REVISED PER ECR-17-014951	16OCT2017	BDA KR



SECTION A - A

SCALE 3:1



- 1 PLACE MOULD CAVITY PREFERABLY IDENTIFICATION IN THIS AREA
- 2 PLACE TYCO ELECTRONICS LOGO PREFERABLY IN THIS AREA
- 3 MATERIAL CORRESPONDING TO THE REQUIRMENT OF IEC 60335-1 (INCL. GLOW WIRE TEST 750°C, WITH OUT FLAME)
- 4 DIMENSIONS SHOWN REPRESENT PRODUCT IN DRY, AS MOLDED, CONDITION. ADDITIONAL 2% GROWTH DUE TO SUBSEQUENT MOISTURE ABSORPTION MAY OCCUR AND SHOULD BE ACCOUNTED FOR.

1863012-1	A	PA 6 UL94 V2	NATURAL
PN	REV	MATERIAL	COLOUR

THIS DRAWING IS A CONTROLLED DOCUMENT.		DWN J. Salo 02JUL2008	TE Connectivity	
DIMENSIONS: mm		CHK L. Lazaro 02JUL2008		
TOLERANCES UNLESS OTHERWISE SPECIFIED:		APVD L. Batillo 02JUL2008	NAME SINGLE CIRCUIT UNIVERSAL MATE-N-LOK CAP	
0 PLC ±0.13 1 PLC ±0.13 2 PLC ±0.13 3 PLC ±0.13 4 PLC ±- ANGLES ±1°		PRODUCT SPEC -	SIZE A3 CAGE CODE 00779 DRAWING NO C-1863012 RESTRICTED TO -	
MATERIAL SEE TABLE		APPLICATION SPEC -	SCALE 4:1 SHEET 1 OF 1 REV A3	
FINISH -		WEIGHT -	CUSTOMER DRAWING	

单击下面可查看定价，库存，交付和生命周期等信息

[>>TE Connectivity\(泰科\)](#)