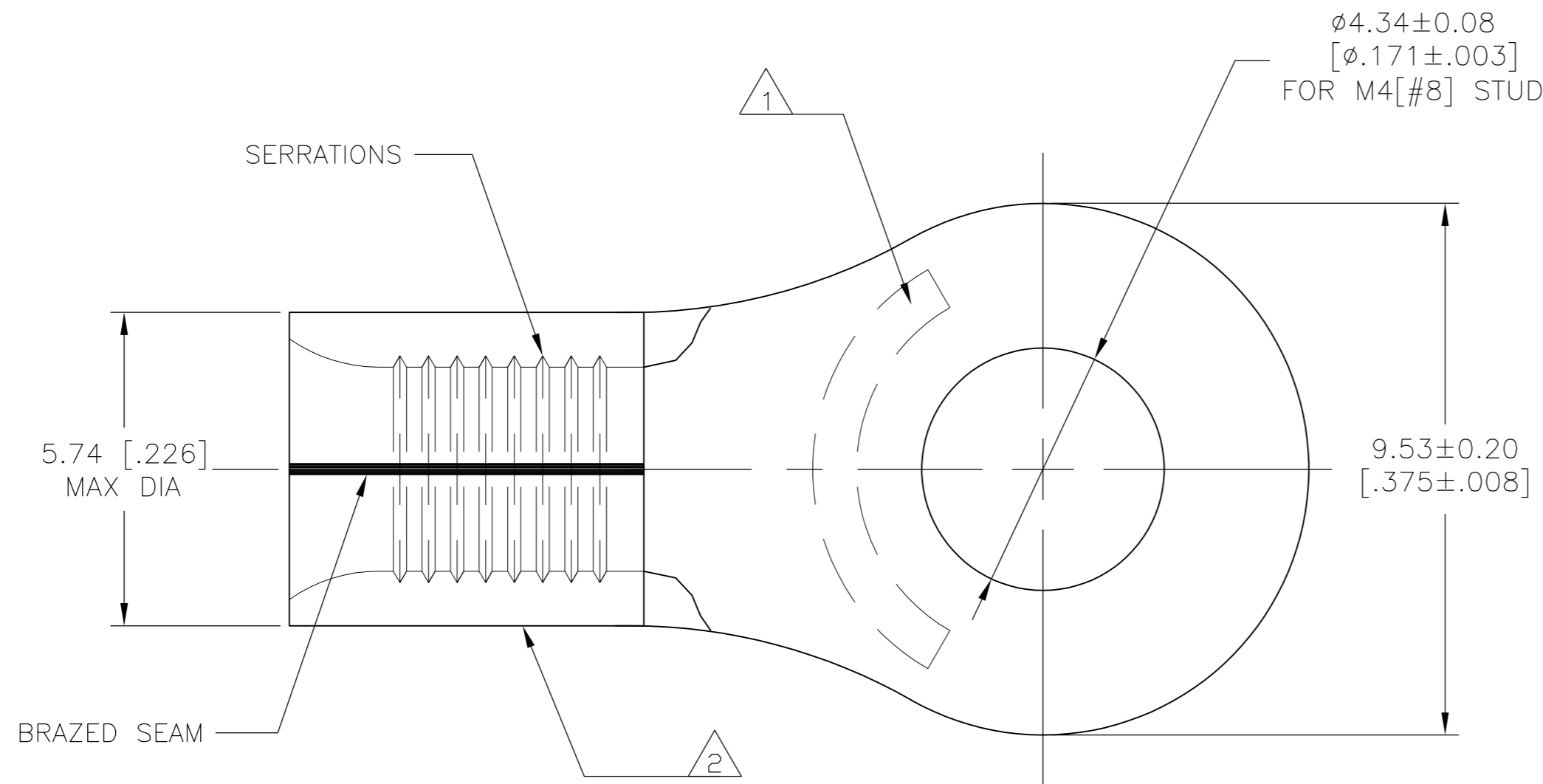


THIS DRAWING IS UNPUBLISHED. RELEASED FOR PUBLICATION
 © COPYRIGHT - By - ALL RIGHTS RESERVED.

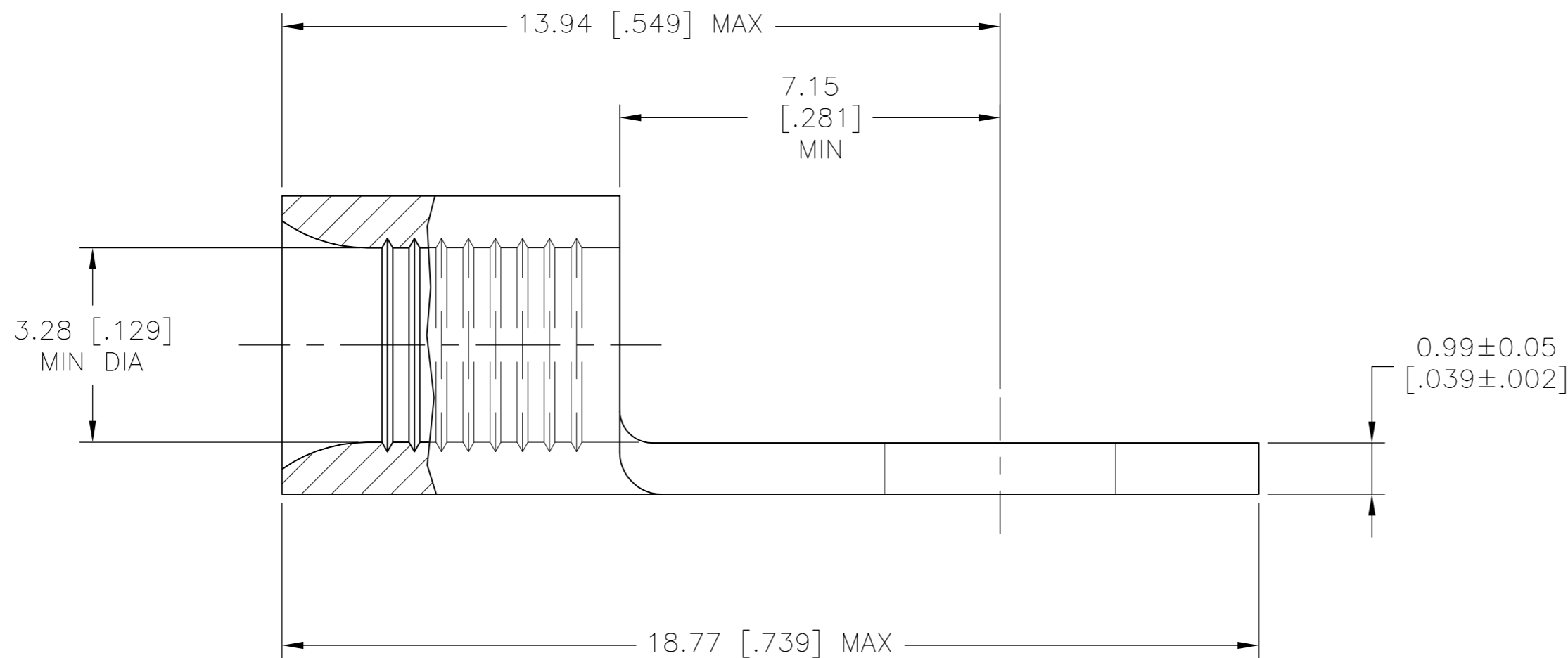
LOC		DIST		REVISIONS			
P	LTR	DESCRIPTION		DATE	DWN	APVD	
G	14	K2	REVISED PER ECO-13-008373	20MAY2013	KH	DR	



AMP
WIRE RANGE

12-10 AWG
SOLID OR STRANDED

- 1 STAMP AMP 12-10, APPROX AS SHOWN
- 2 WIRE BARREL COLOR CODED ORANGE TO DENOTE NICKEL MATERIAL
- 3 NICKEL PER ASTM B-162, ANNEALED
- 4 NOTE DELETED.



50	LOOSE PIECE , BOX	8-323745-2
2500	323745 ON TAPE	2-323745-6
--	LOOSE PIECE	323745
QTY	PACKAGE TYPE	PART NO.

MAX RECOMMENDED OPERATING TEMPERATURE: 649°C [1200° F]	THIS DRAWING IS A CONTROLLED DOCUMENT.		DWN JR RUTH 20MAR09		TE Connectivity
	VOLTAGE RATING: N/A	DIMENSIONS: mm [INCHES]	TOLERANCES UNLESS OTHERWISE SPECIFIED:		
CIRCULAR MIL AREA: 2.62-6.64mm² [5,180-13,100] SOLID OR STRANDED	MATERIAL - 3	FINISH -	APVD T MICHELUTTI 20MAR09	NAME	TERMINAL, RING TONGUE, HIGH TEMPERATURE, STRATO-THERM
			PRODUCT SPEC	SIZE	A2
			APPLICATION SPEC	CAGE CODE	00779
			WEIGHT	DRAWING NO	C=323745
			CUSTOMER DRAWING	RESTRICTED TO	-
			SCALE	10:1	SHEET 1 OF 1
			REV	K2	

单击下面可查看定价，库存，交付和生命周期等信息

[>>TE Connectivity\(泰科\)](#)