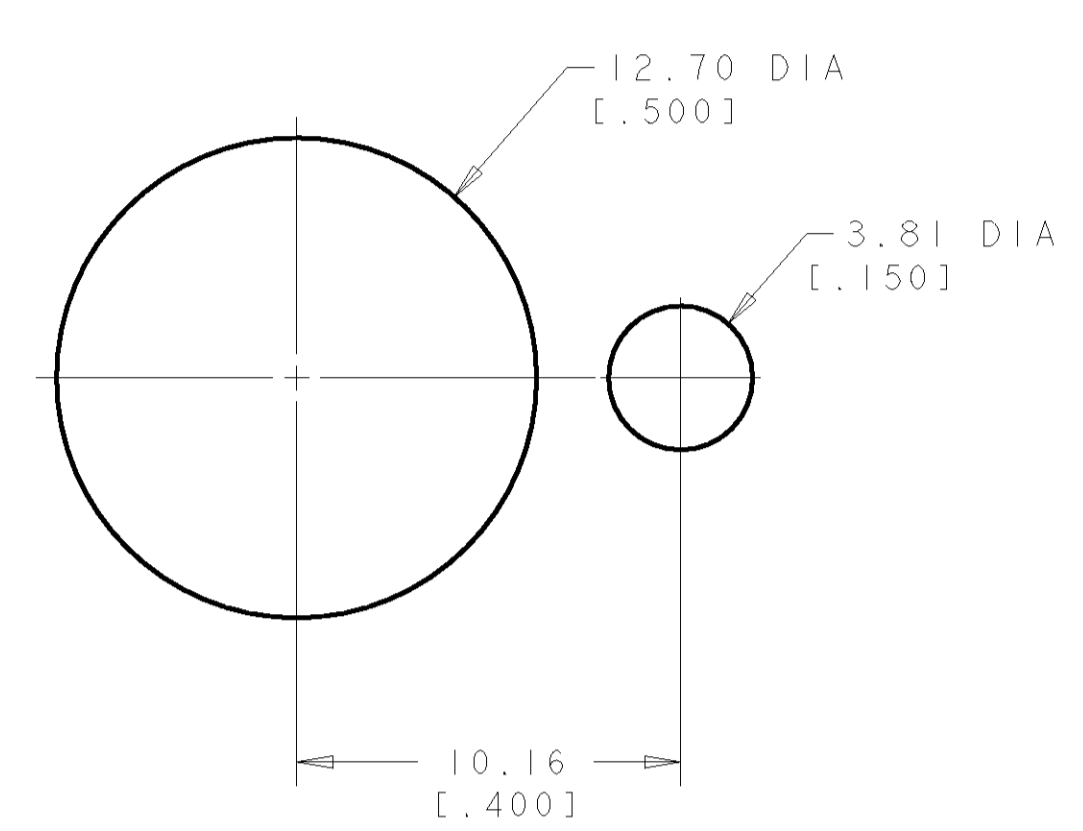
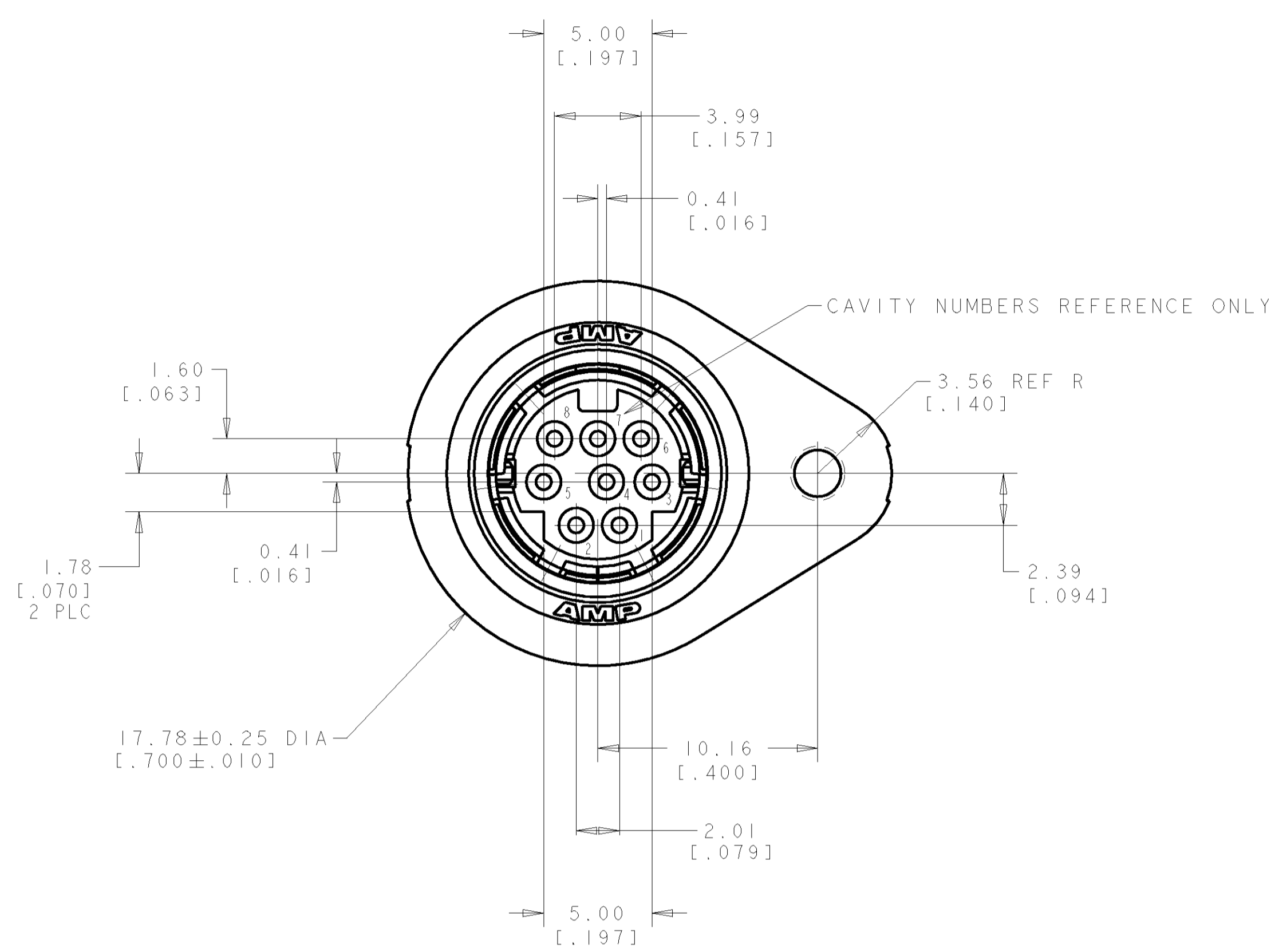
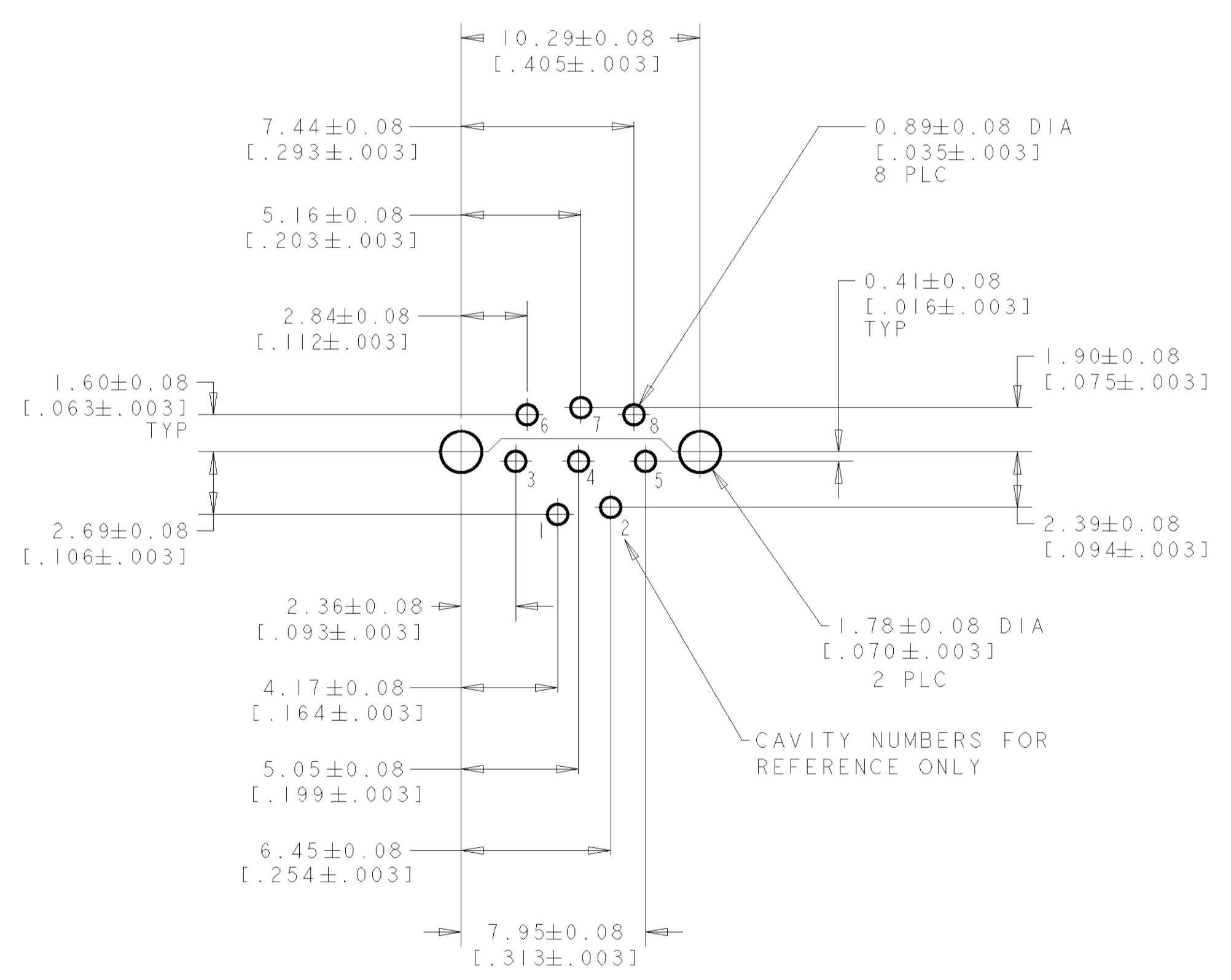
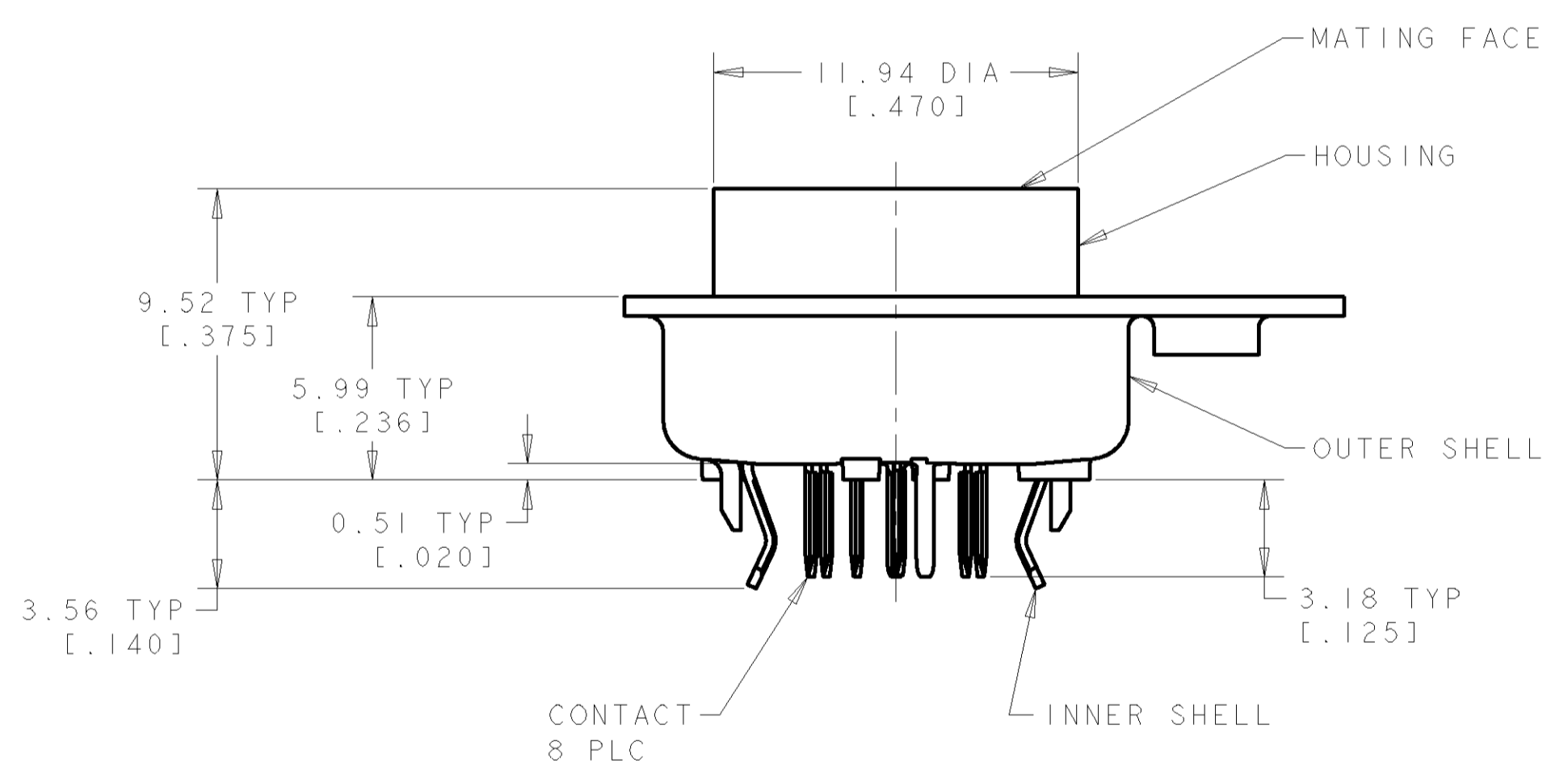


REVISONS		DATE	BY	CHKD
0	NPR FP00-0216-04	31AUG2004	LWY	LSF

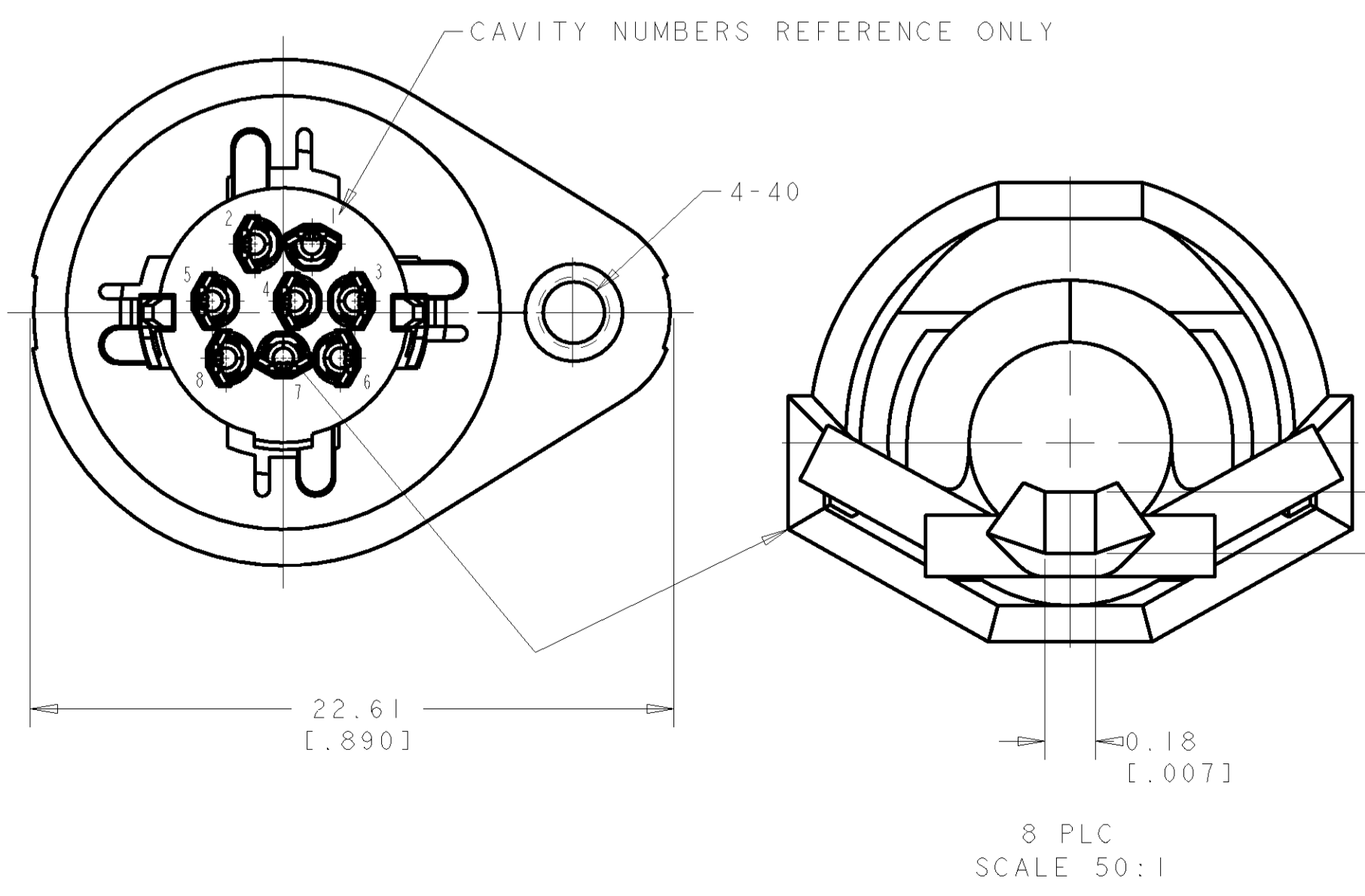


RECOMMENDED PANEL CUT-OUT

- 1 SHELLS: BRASS; CONTACTS: PHOSPHOR BRONZE; HOUSING: POLYESTER, UL 94V-0 RATED, BLACK.
- 2 0.76  $\mu\text{m}$  [0.000030] MIN GOLD ON MATING END FOR A LENGTH OF 1.37 [0.054] MIN ON INSIDE, 2.54  $\mu\text{m}$  [0.000100] MIN TIN FOR A LENGTH OF 3.30 [0.130] MIN FROM OPPOSITE END, ALL OVER 1.27  $\mu\text{m}$  [0.000050] MIN NICKEL.
- 3 0.38  $\mu\text{m}$  [0.000015] MIN GOLD ON MATING END FOR A LENGTH OF 1.37 [0.054] MIN ON INSIDE, 2.54  $\mu\text{m}$  [0.000100] MIN TIN FOR A LENGTH OF 3.30 [0.130] MIN FROM OPPOSITE END, ALL OVER 1.27  $\mu\text{m}$  [0.000050] MIN NICKEL.
- 4 RECEPTACLE ASSEMBLY MATES WITH 8 PIN, 8.99±0.10 [0.354±0.004] DIAMETER PLUG.



RECOMMENDED PC BOARD LAYOUT BOTTOM VIEW



CONTACT FINISH	5750340-2
	5750340-1
PART NO	

<small>THIS DRAWING IS A CONTROLLED DOCUMENT FOR AMP INCORPORATED. ALL DIMENSIONS ARE IN INCHES UNLESS OTHERWISE SPECIFIED. FOR THE LATEST REVISION, ORGANIZATION SHOULD BE CONTACTED FOR THE LATEST REVISION.</small>		DWN: WYLEE CHK: SF LEONG APD: SF LEONG	31AUG2004 NAME: RECEPTACLE ASSEMBLY, 8 POSN, LOW FLANGE, SHIELDED, VERTICAL, MINATURE CIRCULAR DIN SIZE: A1 CAGE CODE: 00779 DRAWING NO: 5750340
DIMENSIONS: mm [INCHES] TOLERANCES UNLESS OTHERWISE SPECIFIED: 0 PLC ± 1 PLC ±0.13 [0.005] 2 PLC ± 3 PLC ± 4 PLC ± ANGLES ±	MATERIAL: FINISH:	TYPICO Electronics Tyco Electronics Singapore Pte. Ltd.	Tyco Electronics Singapore Pte. Ltd. SCALE: 5:1 SHEET: 1 OF 1 REV: 0

单击下面可查看定价，库存，交付和生命周期等信息

[>>TE Connectivity\(泰科\)](#)