

4

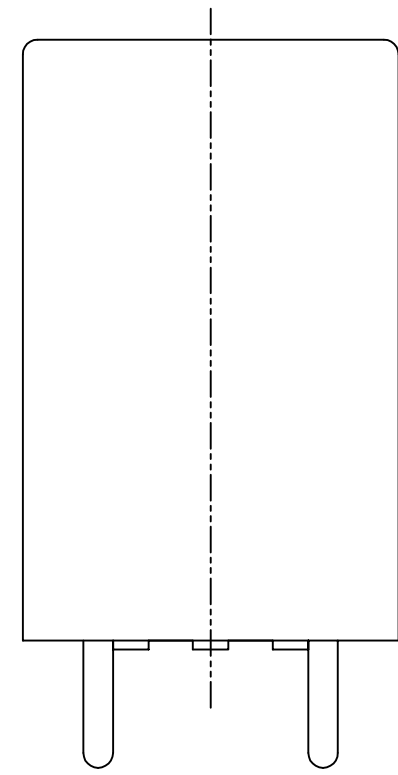
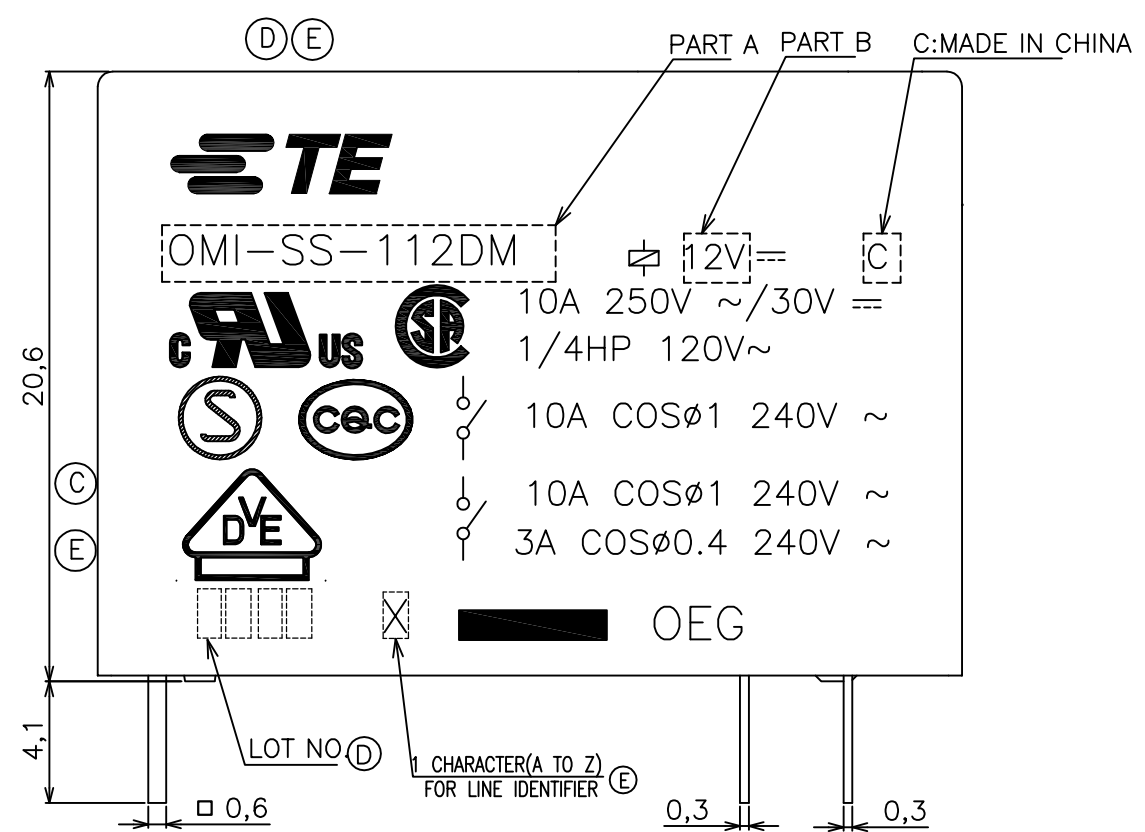
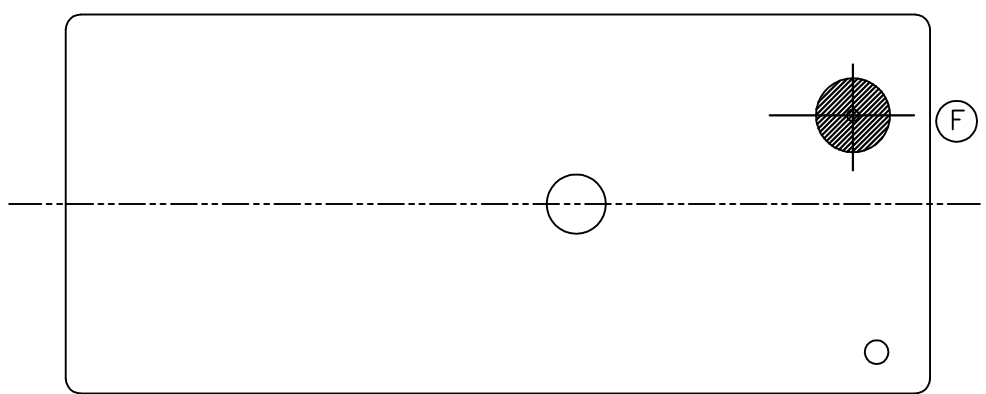
3

2

1

THIS DRAWING IS UNPUBLISHED. RELEASED FOR PUBLICATION
 © COPYRIGHT - By - ALL RIGHTS RESERVED.

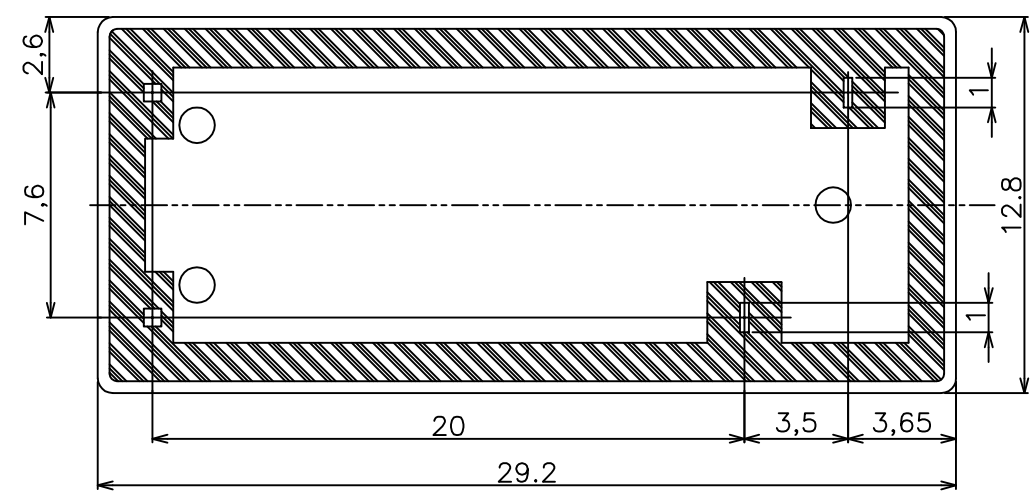
LOC		DIST		REVISIONS			
P	LTR	DESCRIPTION	DATE	DWN	APVD		
HB	-						
	E	CHANGE LOGO, VENT HOLE; ADD CQC, LINE IDENTIFIER AND PLATING THICKNESS ECO-12-005725	21-AUG-12	D.L	BH.Y		
	F	REVISE ONLY ECO-13-015347	16-DEC-13	XLY	B.F		



NOTES:
 1.-SS- : PLASTIC SEALD TYPE
 2.LOT NO. SYSTEM AS FOLLOWING:
 0701 WEEK YEAR
 3.GENERAL TOLERANCE AS FOLLOWING:

TOLERANCE	
0~0.99mm	±0.1
1mm~2.99mm	±0.2
3mmMIN.	±0.3

4.TERMINAL DIMENSION IS NOT INCLUDING SOLDER TIP.
 FOR THE TIN-PLATING OF THE PINS:
 +0.1mm FOR WIDTH, THICKNESS AND DIAMETER.
 +0.5mm FOR LENGTH.



THIS DRAWING IS A CONTROLLED DOCUMENT.		DWN H.SASAKI		TE Connectivity	
DIMENSIONS: mm		CHK Y.OIKAWA			
TOLERANCES UNLESS OTHERWISE SPECIFIED:		APVD A.NAGAI		NAME	
0 PLC ± -		PRODUCT SPEC		OMI-SH-D/L CUSTOMER DRAWING	
1 PLC ± -		APPLICATION SPEC		RESTRICTED TO	
2 PLC ± -		WEIGHT		SIZE CAGE CODE DRAWING NO	
3 PLC ± -		A3 00779		C=6-1419144-2	
4 PLC ± -		CUSTOMER DRAWING		SCALE 4:1 SHEET 1 OF 2 REV F	
ANGLES ± -					
FINISH					

4

3

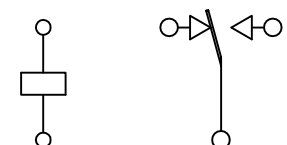
2

1

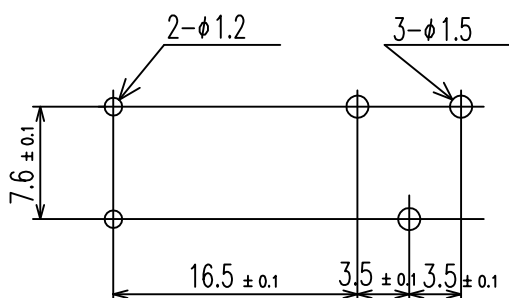
THIS DRAWING IS UNPUBLISHED. RELEASED FOR PUBLICATION
 © COPYRIGHT - By - ALL RIGHTS RESERVED.

LOC	DIST	REVISIONS			
P	LTR	DESCRIPTION	DATE	DWN	APVD
HB	-				

CONNECTION DIAGRAM (BOTTOM VIEW)



DRILLING DIAGRAM(2/1) (BOTTOM VIEW)



1-1419122-4	OMI-SH-124LM	24V	OMI-SH-124LM
1419122-6	OMI-SH-112LM	12V	OMI-SH-112LM
1419122-2	OMI-SH-112DM	12V	OMI-SH-112DM
6-1419144-2	OMI-SH-106DM	6V	OMI-SH-106DM
PART NO	TE TYPE NAME	PART B	PART A

RELAY TYPE

		EPOXY RESIN	RESIN	17
UL94 V-0		PBT	CASE	16
		-	TAPE	15
CLASS E		UEW	MAGNETIC WIRE	14
UL94 V-0		PET	BASE	13
UL94 V-0		PBT	BOBBIN	12
	SOLDER DIP	CP WIRE	COIL TERMINAL	11
UL94 V-0		PPS	CARD	10
		Ag ALLOY	MOVABLE CONTACT	9
		Ag ALLOY	STATIONARY CONTACT	8
		Cu ALLOY	HINGE SPRING	7
	SOLDER DIP	Cu ALLOY	B TERMINAL	6
	SOLDER DIP	Cu ALLOY	M TERMINAL	5
	SOLDER DIP	Cu ALLOY	MOVABLE SPRING	4
		STEEL	CORE	3
		STEEL	ARMATURE	2
		STEEL	YOKE	1
INCOMBUSTIBILITY	TREATMENT	MATERIAL	DESCRIPTION	ITEM

THIS DRAWING IS A CONTROLLED DOCUMENT.

DWN H.SASAKI	STE TE Connectivity			
CHK Y.OIKAWA				
APVD A.NAGAI	NAME			
PRODUCT SPEC -	OMI-SH-D/L CUSTOMER DRAWING			
APPLICATION SPEC -	SIZE A3	CAGE CODE 00779	DRAWING NO C=6-1419144-2	RESTRICTED TO -
WEIGHT -	CUSTOMER DRAWING		SCALE 4:1	SHEET 2 of 2
			REV F	

单击下面可查看定价，库存，交付和生命周期等信息

[>>TE Connectivity\(泰科\)](#)