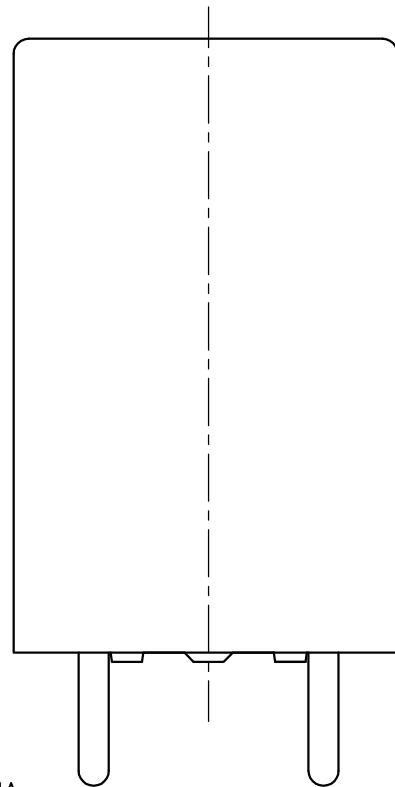
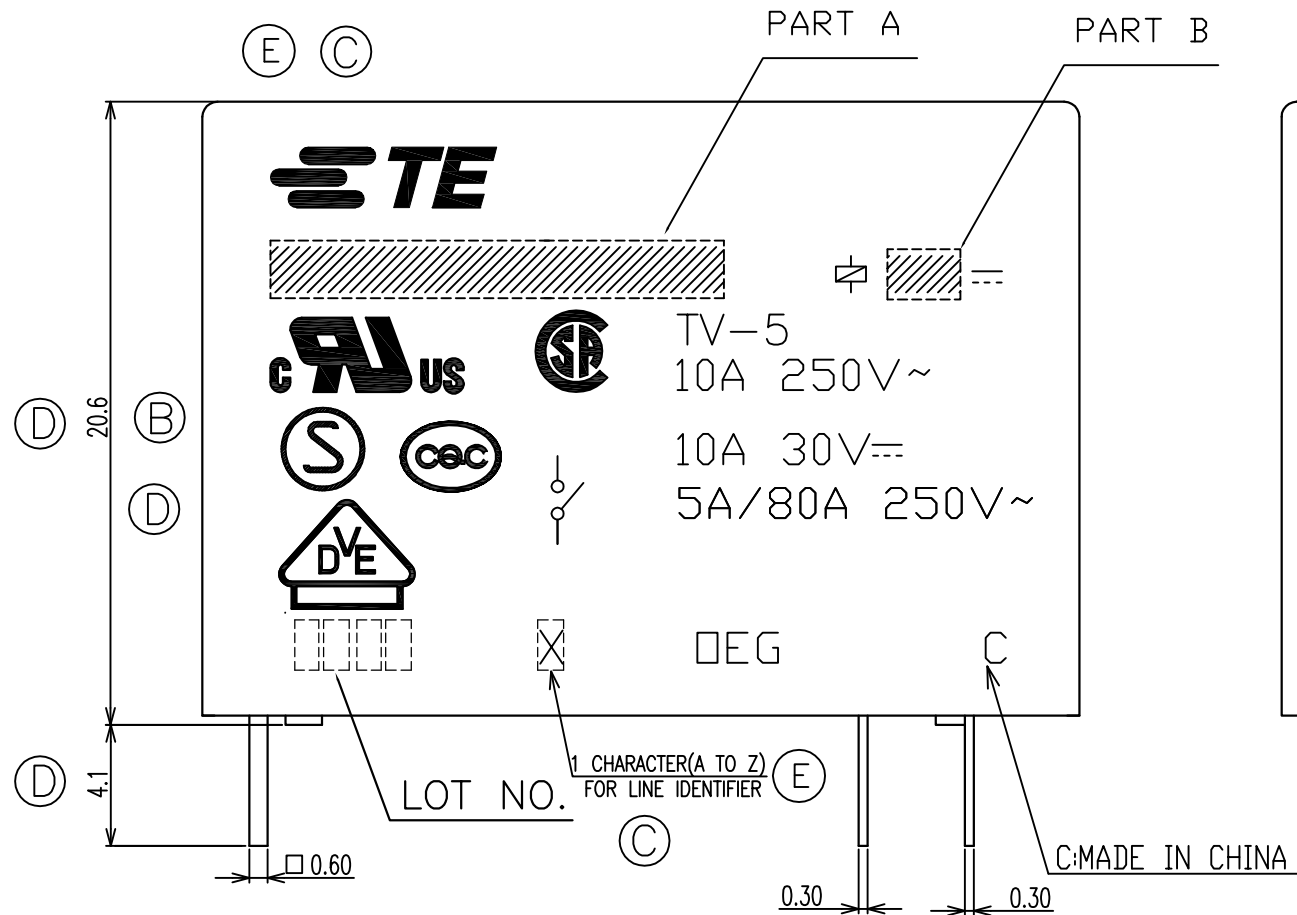
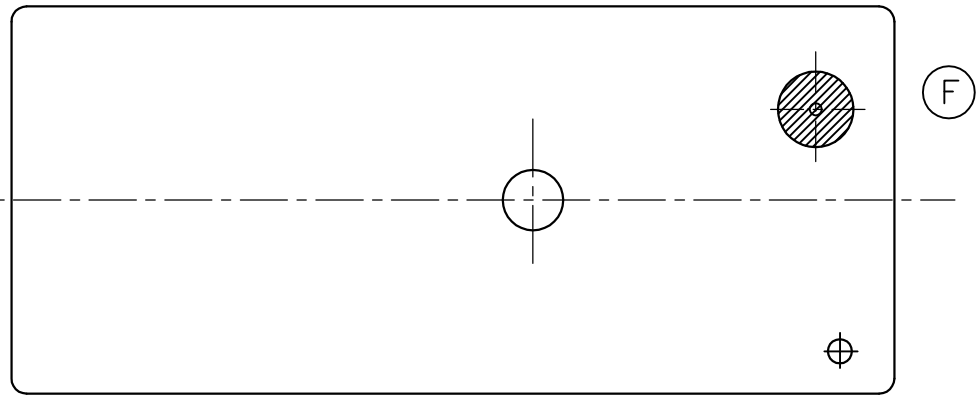


LOC
HB

DIST
-

REVISIONS

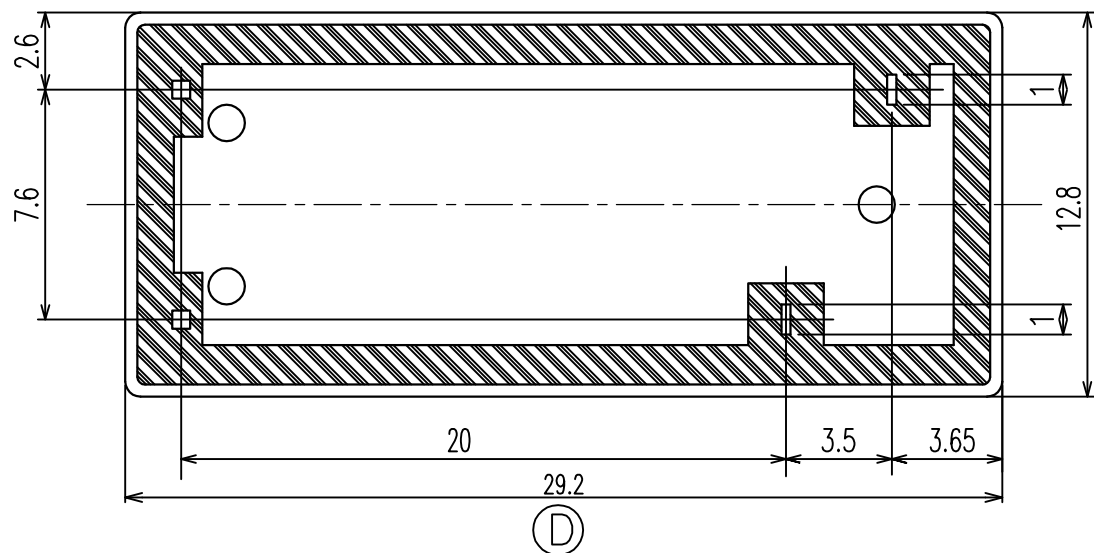
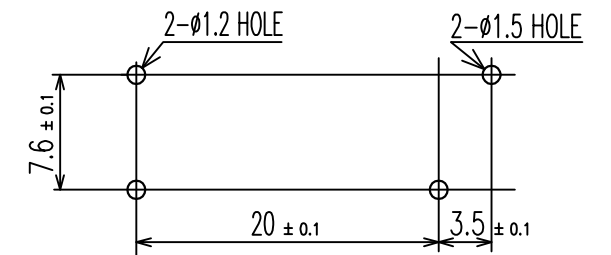
P	LTR	DESCRIPTION	DATE	DWN	APVD
E		1.UPDATE TE LOGO&VDE LOGO 2.ADD LINE IDENTIFICATION 3.TERMINALS TOLERANCE CLARIFICATION4.VENT HOLE CHANGE	ECO-12-005726	06-APR-12	D.L BH.Y
F		CHANGE THE VENT HOLE SHAPE FROM RECTANGLE TO CIRCLE ONE	ECO-13-015347	16-DEC-13	XL,Y B,F



CONNECTION DIAGRAM
(BOTTOM VIEW)

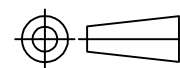


DRILLING DIAGRAM(2/1)
(BOTTOM VIEW)



THIS DRAWING IS A CONTROLLED DOCUMENT.

DIMENSIONS:
mm



TOLERANCES UNLESS OTHERWISE SPECIFIED:

- 0 PLC ±
- 1 PLC ±
- 2 PLC ±
- 3 PLC ±
- 4 PLC ±
- ANGLES ±
- FINISH -

MATERIAL

DWN

Y.Xiao

CHK

N.Funayama

APVD

CH.HSU

PRODUCT SPEC

APPLICATION SPEC

WEIGHT

CUSTOMER DRAWING



TE Connectivity

NAME

OMIT 1M CUSTOMER DRAWING

SIZE

CAGE CODE

DRAWING NO

A3

00779

©=1440001-6

RESTRICTED TO

-

SCALE 4:1

SHEET 1 of 2

REV F

THIS DRAWING IS UNPUBLISHED. RELEASED FOR PUBLICATION
 © COPYRIGHT By TE Connectivity ALL RIGHTS RESERVED.

LOC	DIST	REVISIONS			
P	LTR	DESCRIPTION	DATE	DWN	APVD
HB	-	SEE SHEET 1	-	-	-

NOTES:
 1.LOT NO. SYSTEM AS FOLLOWING:

0825
 WEEK
 YEAR

2.GENERAL TOLERANCE AS FOLLOWING:

TOLERANCE	
0~0.99mm	±0.1
1mm~2.99mm	±0.2
3mm MIN.	±0.3

- Ⓒ 3.TERMINAL DIMENSION IS NOT INCLUDING SOLDER TIP.
- Ⓔ 4.FOR THE TIN-PLATING OF THE PINS:
 +0.1mm FOR WIDTH,THICKNESS AND DIAMETER.
 +0.5mm FOR LENGTH.

9-144000-7	OMIT-SH-124LM	24V	OMIT-SH-124LM	N
9-144000-5	OMIT-SH-109LM	9V	OMIT-SH-109LM	M
1440001-7	OMIT-SS-148DM	48V	OMIT-SS-148DM	L
1440001-8	OMIT-SS-148LM	48V	OMIT-SS-148LM	k
1440001-5	OMIT-SS-124DM	24V	OMIT-SS-124DM	j
1440001-6	OMIT-SS-124LM	24V	OMIT-SS-124LM	i
1-1461208-2	OMIT-SS-112DM	12V	OMIT-SS-112DM	h
1440001-4	OMIT-SS-112LM	12V	OMIT-SS-112LM	g
1461208-9	OMIT-SS-109DM	9V	OMIT-SS-109DM	f
1440001-1	OMIT-SS-109LM	9V	OMIT-SS-109LM	e
1461208-5	OMIT-SS-106DM	6V	OMIT-SS-106DM	d
1461208-7	OMIT-SS-106LM	6V	OMIT-SS-106LM	c
1461208-3	OMIT-SS-105DM	5V	OMIT-SS-105DM	b
1440001-0	OMIT-SS-105LM	5V	OMIT-SS-105LM	a
PART NO	PART A	PART B	DESCRIPTION	No.

RELAY TYPE

		UV RESIN	UV SEAL	16
		EPOXY RESIN	SEAL	15
UL94 V-0		PBT	CASE	14
CLASS E		UEW	MAGNETIC WIRE	13
UL94 V-0		PET	BASE	12
UL94 V-0		PBT	BOBBIN	11
	SOLDER DIP	CP WIRE	COIL TERMINAL	10
UL94 V-0		PPS	CARD	9
		Ag ALLOY	MOVABLE CONTACT	8
		Ag ALLOY	STATIONARY CONTACT	7
		Cu ALLOY	HINGE SPRING	6
	SOLDER DIP	Cu ALLOY	STATIONARY TERMINAL	5
	SOLDER DIP	Cu ALLOY	MOVABLE SPRING	4
		STEEL	CORE	3
		STEEL	ARMATURE	2
		STEEL	YOKE	1
INCOMBUSTIBILITY	TREATMENT	MATERIAL	DESCRIPTION	ITEM

THIS DRAWING IS A CONTROLLED DOCUMENT.		DWN	-		
		CHK	Y.Xiao		
		APVD	N.Funayama		
		PRODUCT SPEC	CH.HSU		
		APPLICATION SPEC	-		
		WEIGHT	-		
		CUSTOMER DRAWING	-		
DIMENSIONS: mm		TOLERANCES UNLESS OTHERWISE SPECIFIED:			
		0 PLC	±		
		1 PLC	±		
		2 PLC	±		
		3 PLC	±		
		4 PLC	±		
MATERIAL		FINISH			
		-			
		OMIT 1M CUSTOMER DRAWING			
SIZE	CAGE CODE	DRAWING NO	RESTRICTED TO		
A3	00779	C=1440001-6	-		
SCALE		SHEET	REV		
4:1		2 of 2	F		

单击下面可查看定价，库存，交付和生命周期等信息

[>>TE Connectivity\(泰科\)](#)