

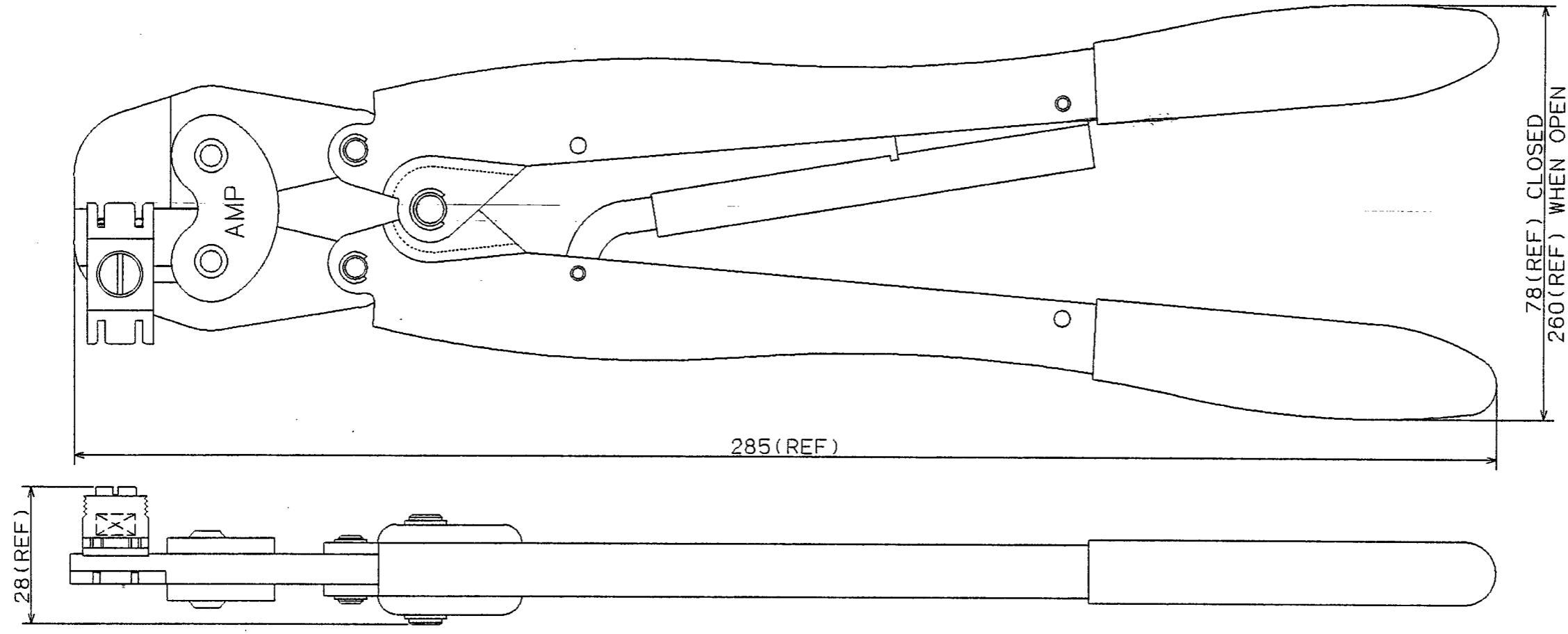
THIS DRAWING IS UNPUBLISHED.

RELEASED FOR PUBLICATION

20

© COPYRIGHT 20 BY TYCO ELECTRONICS CORPORATION. ALL RIGHTS RESERVED.

LOC	DIST	REVISIONS					
		P	LTR	DESCRIPTION	DATE	DWN	APVD
J	-		A	REDRAWN W/R FJ00-2119-02	04-Oct-02	J.K	S.Y



CRIMP SYMBOL	TERMINAL NO	WIRE SIZE AWG(mm ²)	INS RANGE (mm)	TERMINAL CH(mm)		IS NO	APPL SPEC	WEIGHT (g)
	L.P.			WIRE	INS			
圧着部記号	適用端子型番	電線サイズ	絶縁被覆径	圧着高さ		取扱説明書番号	取付適用規格	重量
	ハ"ラ状			芯線部	被覆部			
22-20	1674075-1	#22-20 (0.37-0.56)	-	0.84-1.00	-	411-5981	114-5032 5250 5291	530
INS	1318143-1/-2 1376607-1/-2	-	1.1-1.6	-	1.6REF			

<small>THIS DRAWING IS A CONTROLLED DOCUMENT FOR TYCO ELECTRONICS CORPORATION. IT IS SUBJECT TO CHANGE AND THE CONTROLLING ENGINEERING ORGANIZATION SHOULD BE CONTACTED FOR THE LATEST REVISION.</small>		DWN J.KOGA 04-Oct-02	Tyco Electronics AMP K.K. Kawasaki, Japan	
DIMENSIONS: mm		CHK J.KOGA 04-Oct-02		
		APVD S.YABE 04-Oct-02	NAME DOUBLE ACTION HAND TOOL (025 G-Tab, 025 Tab and Rec Contact)	
TOLERANCES UNLESS OTHERWISE SPECIFIED: 0 PLC ± 1 PLC ± 2 PLC ± 3 PLC ± 4 PLC ± ANGLES ±		PRODUCT SPEC -	SIZE CAGE CODE DRAWING NO RESTRICTED TO A3 00779 C-1463260-1 -	
MATERIAL FINISH		APPLICATION SPEC -	WEIGHT -	
CUSTOMER DRAWING			SCALE	SHEET OF REV A

单击下面可查看定价，库存，交付和生命周期等信息

[>>TE Connectivity\(泰科\)](#)