
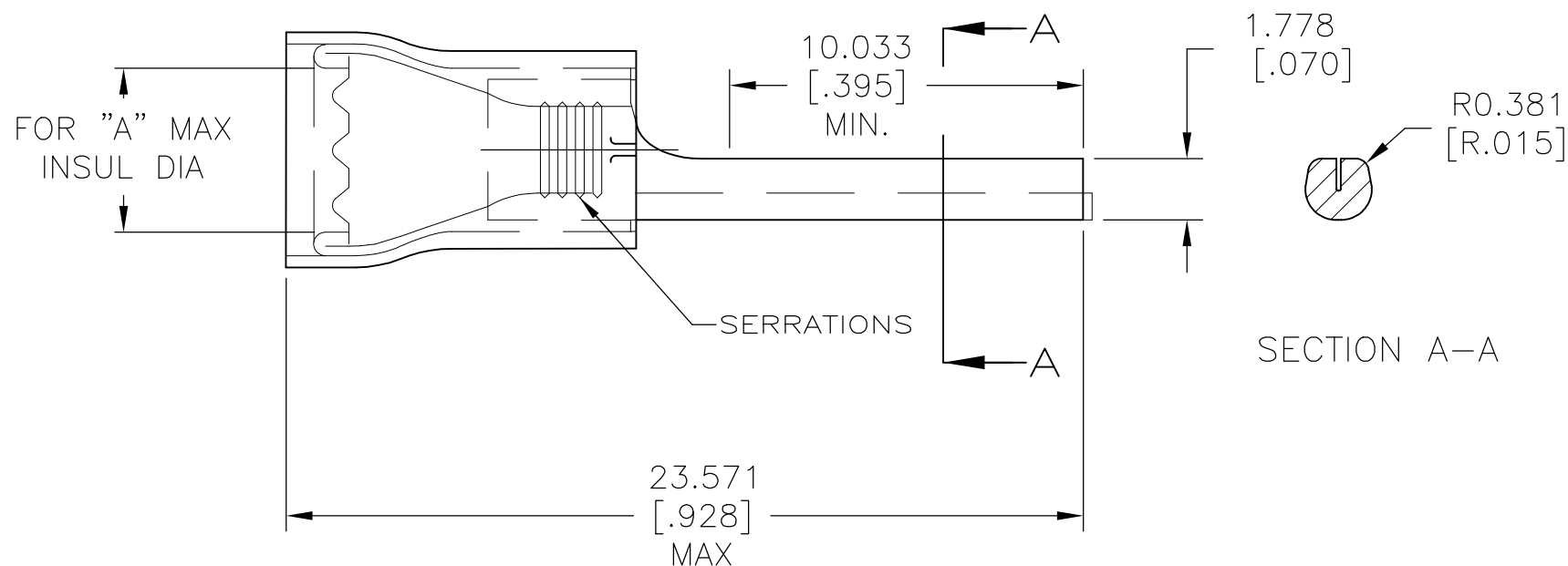
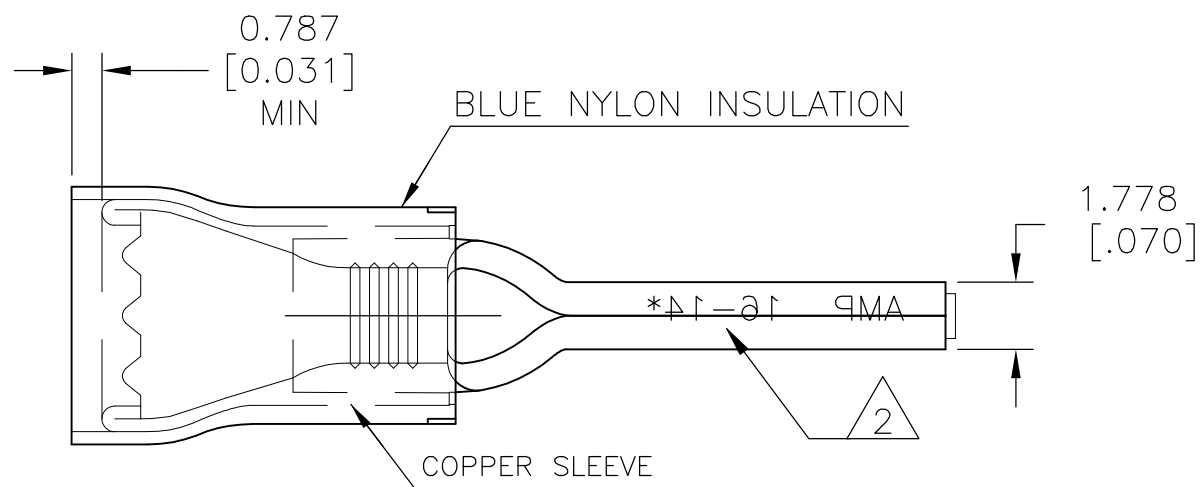





P	LTR	DESCRIPTION	DATE	DWN	APVD
	K2	REVISED PER ECO-14-003208	17MAR2014	NK	DR
	K3	REVISED PER ECO-17-008114	05JUN2018	RS	DR

AMP WIRE RANGE	 FILE E13288
1.0-2.6mm ² (16-14 AWG) STRANDED	16-14 AWG STRANDED



- 1 WIRE INSULATION DIA "A" MAX, SEE TABLE
-  STAMP AMP 16-14* APPROX AS SHOWN
-  MAX RECOMMENDED OPERATING TEMPERATURE 105°C[221°F]

	1000	4.394[.173]	TIN PLATED	COPPER	165172
	PACKAGE QTY	DIM "A"	FINISH	MATERIAL	PART NO

THIS DRAWING IS A CONTROLLED DOCUMENT.		DWN JR RUTH 19FEB04	 TE Connectivity Ltd.		
DIMENSIONS: mm [INCHES]		CHK T MICHIELUTTI 19FEB04			
TOLERANCES UNLESS OTHERWISE SPECIFIED:		APVD T MICHIELUTTI 19FEB04	NAME PIDG WIRE PIN (LONG) 16-14 AWG		
0 PLC ± -		PRODUCT SPEC UL 486 A-B	SIZE A3		
1 PLC ± -		APPLICATION SPEC 114-2157	CAGE CODE 00779	DRAWING NO C-165172	RESTRICTED TO -
2 PLC ± -		WEIGHT	SCALE 5:1		
3 PLC ± 0.127[.005]		CUSTOMER DRAWING	SHEET 1 OF 1		
4 PLC ± -			REV K3		
ANGLES ± -					
MATERIAL SEE TABLE					
FINISH SEE TABLE					

单击下面可查看定价，库存，交付和生命周期等信息

[>>TE Connectivity\(泰科\)](#)