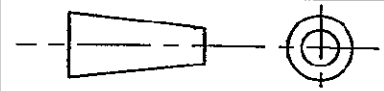


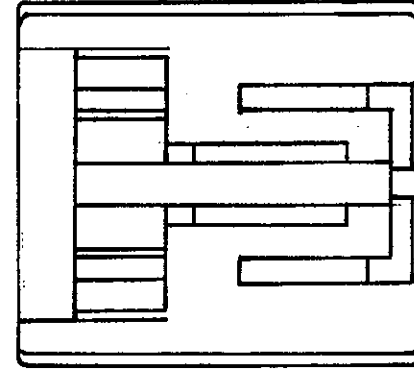
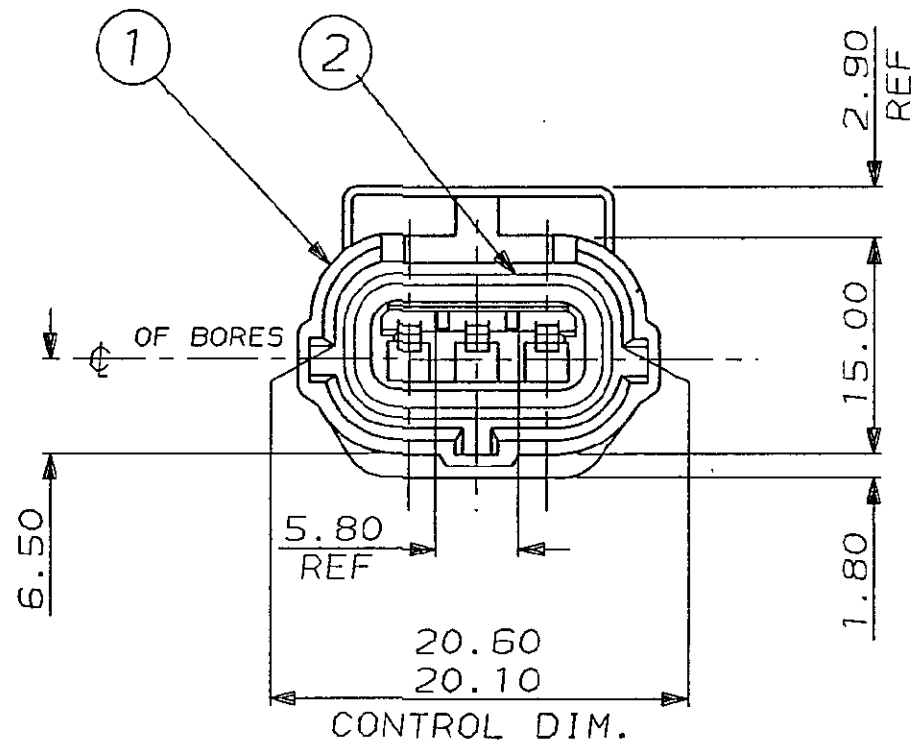
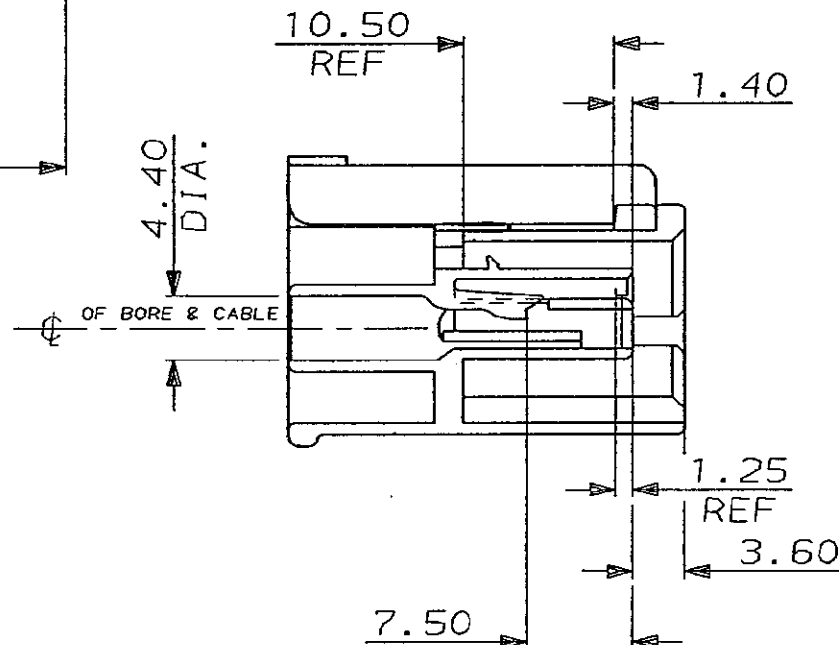
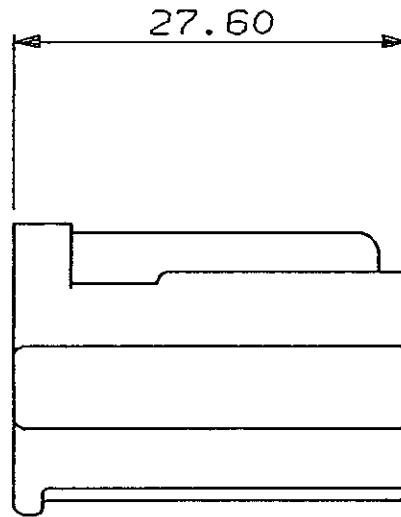
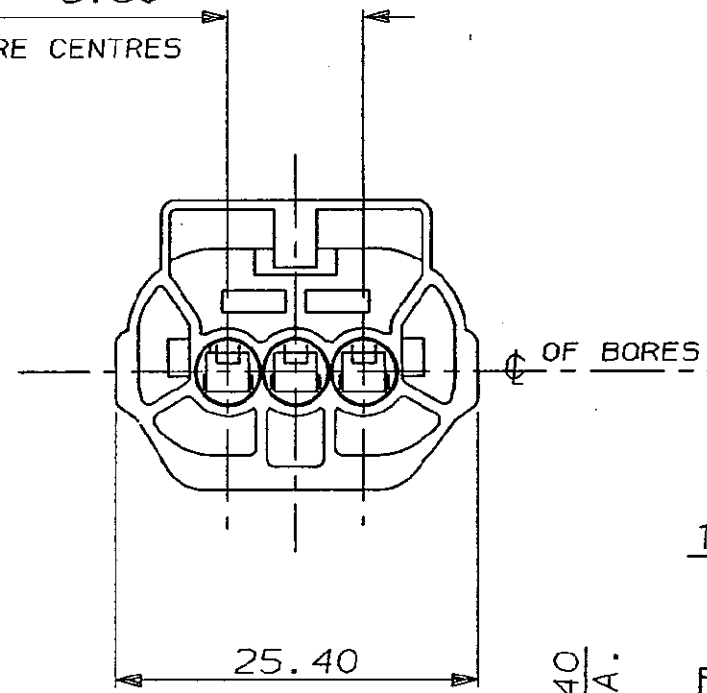
C.A.D. FILE CODE  
5. C344273

DO NOT SCALE

DIMENSIONS IN MM.



2 x 4.80  
= 9.60  
BORE CENTRES



SCRAP VIEW

SCRAP VIEW (SEAL NOT SHOWN)

ITEM No.	COLOUR	MATERIAL	PART No.	DESCRIPTION	QTY. PER ASSY.	ASSEMBLY PART No.
2	BLACK	Non BIS NBR		PERIPHERAL SEAL	1	1-344273-4 (WHITE)
1	WHITE	NYLON 66	344272-4	3 WAY REC. HSG.	1	
2	BLACK	Non BIS NBR		PERIPHERAL SEAL	1	1-344273-3 (BLUE)
1	BLUE	NYLON 66	344272-3	3 WAY REC. HSG.	1	
2	BLACK	Non BIS NBR		PERIPHERAL SEAL	1	1-344273-2 (RED)
1	RED	NYLON 66	344272-2	3 WAY REC. HSG.	1	
2	BLACK	Non BIS NBR		PERIPHERAL SEAL	1	1-344273-1 (BLACK)
1	BLACK	NYLON 66	344272-1	3 WAY REC. HSG.	1	
2	ORANGE	SILICONE RUBBER		PERIPHERAL SEAL	1	344273-4 (WHITE)
1	WHITE	NYLON 66	344272-4	3 WAY REC. HSG.	1	
2	ORANGE	SILICONE RUBBER		PERIPHERAL SEAL	1	344273-3 (BLUE)
1	BLUE	NYLON 66	344272-3	3 WAY REC. HSG.	1	
2	ORANGE	SILICONE RUBBER		PERIPHERAL SEAL	1	344273-2 (RED)
1	RED	NYLON 66	344272-2	3 WAY REC. HSG.	1	
2	ORANGE	SILICONE RUBBER		PERIPHERAL SEAL	1	344273-1 (BLACK)
1	BLACK	NYLON 66	344272-1	3 WAY REC. HSG.	1	

CUSTOMER DRG.  
FOR REFERENCE ONLY.

REV	MODIFICATION	ECO	DATE
K3		ECR-15-009767	29JUN2015
K2	Seal Replacement	ECR-14-016166	18MAR2015
K1		REVISED PER ECO-11-005294	08APR11

TOLERANCES UNLESS OTHERWISE STATED : DEC ± 0.5 ANGLES ± 1°		DR. R.S.	5.11.87
		CH. R.R.	APP. B.J.
		<b>STE</b> TE Connectivity	
NAME 3 WAY REC. HSG. ASSY. ECONOSEAL 3 LOW CURRENT			
SCALE 2/1	LOC E	SIZE A3	DWG. No. C344273
REV K3	SHEET 1/1		

单击下面可查看定价，库存，交付和生命周期等信息

[>>TE Connectivity\(泰科\)](#)