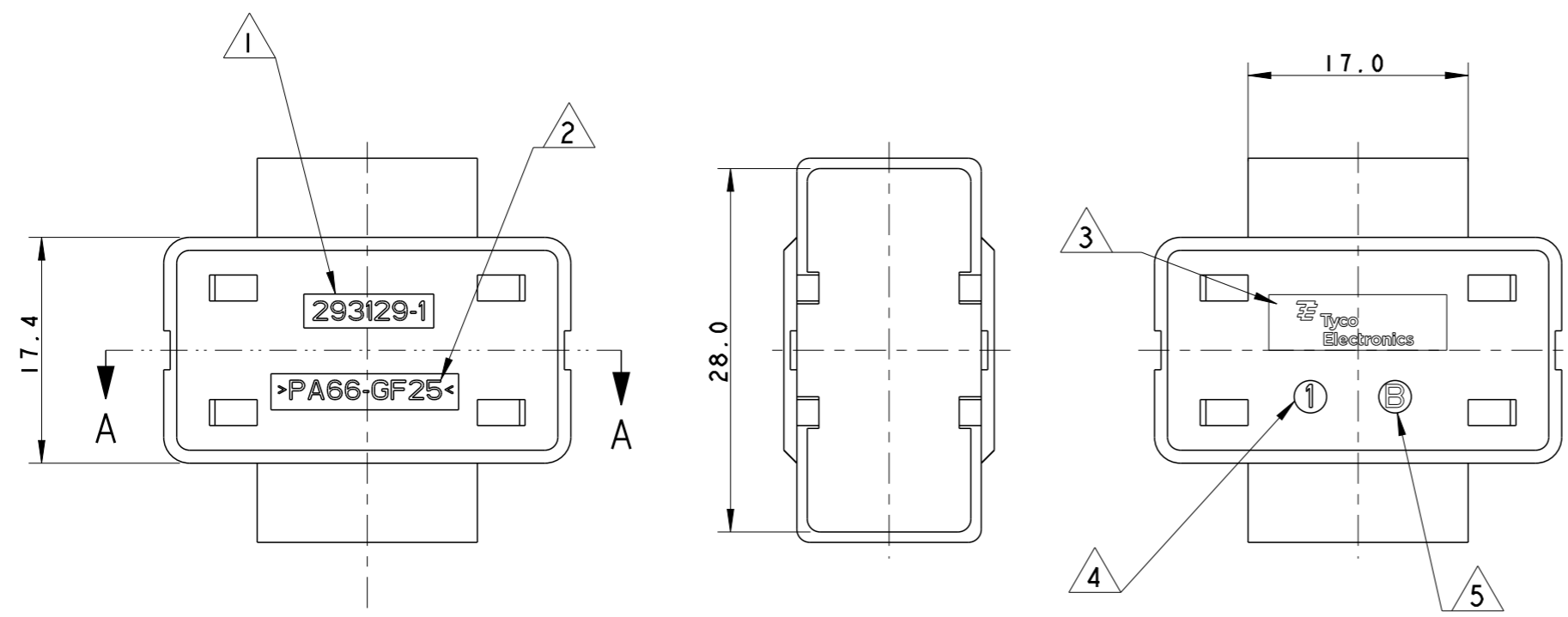
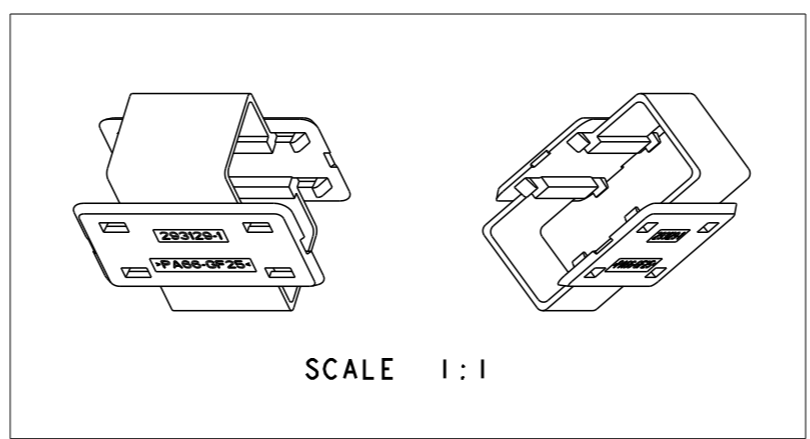
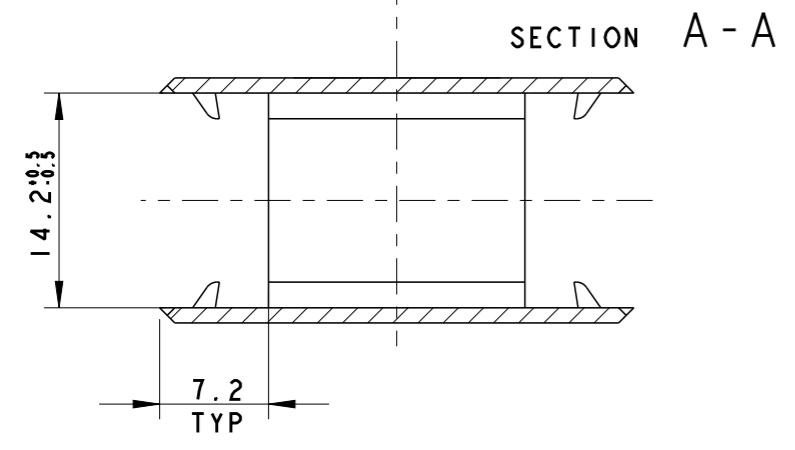


THIS DRAWING IS UNPUBLISHED. RELEASED FOR PUBLICATION 2006
 © COPYRIGHT 2006 BY TYCO ELECTRONICS CORPORATION, ALL RIGHTS RESERVED.

LOC	DIST	REVISIONS			
P	LTR	DESCRIPTION	DATE	DWN	APVD
1	-				
	0	FIRST ISSUE	11APR2006	UA	GT
	B	ECR-10-021916	25OCT2010	UA	GT



- NOTES:
- 1) TE P/N
 - 2) RAW MAT'L CODE
 - 3) TE TRADEMARK
 - 4) MOULD CAVITY IDENTIFICATION
 - 5) PART REVISION
- 6) TO BE USED FOR INSTALLATIONS ACCORDING TO VDE 0606-200
- 7) USED ON CONNECTORS FREE HANGING VERSION
- 8) PACKAGED ACCORDING TO TYCO SPEC. 107-20252
- 9) ACCORDING TO VDE 0606-200 NORM, LOCKING DEVICE MUST NOT BE EASILY REMOVABLE BY HAND; A COMMON TOOL WOULD BE NECESSARY (e.g.: SCREWDRIVER)



293129-2	WHITE	B
293129-1	BLACK	B
TYCO P/N	COLOUR	PART REV.

<small>THIS DRAWING IS A CONTROLLED DOCUMENT FOR TYCO ELECTRONICS CORPORATION IT IS SUBJECT TO CHANGE AND THE CONTROLLING ENGINEERING ORGANIZATION SHOULD BE CONTACTED FOR THE LATEST REVISION.</small>		DWN U. AIME 11APR2006 CHK U. AIME 11APR2006 APVD G. TURCO 11APR2006		AMP Italia S.p.A. C.so F.lli Cervi 15 Collegno (TO)	
DIMENSIONS: mm 		TOLERANCES UNLESS OTHERWISE SPECIFIED: 0 PLC ±0.3 1 PLC ±0.3 2 PLC ±0.3 3 PLC ±0.3 4 PLC ±0.3 ANGLES ±1 FINISH -		NAME: LOCKING FOR TYCO NECTOR* HERMAPHRODITE SHELL PRODUCT SPEC: 108-20268 APPLICATION SPEC: -	
MATERIAL: PA66-GF25 UL94-V0		WEIGHT: -		SIZE: A3 CAGE CODE: 00779 DRAWING NO: C-293129 RESTRICTED TO: -	
CUSTOMER DRAWING				SCALE: 2:1 SHEET: 1 OF 1 REV: B	

单击下面可查看定价，库存，交付和生命周期等信息

[>>TE Connectivity\(泰科\)](#)