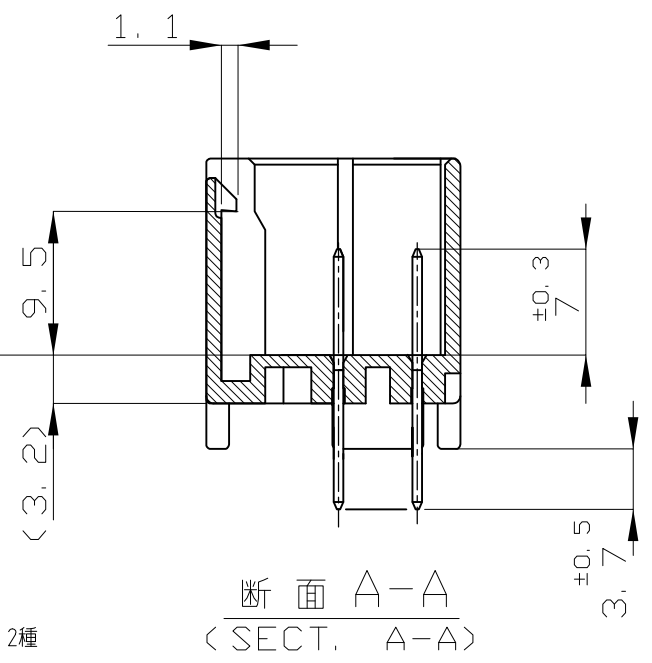
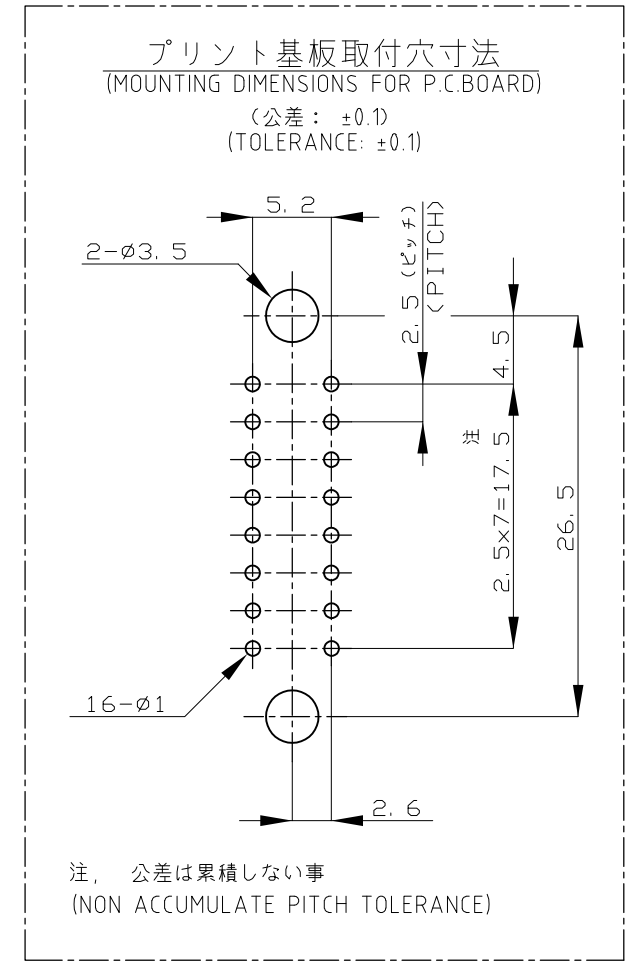
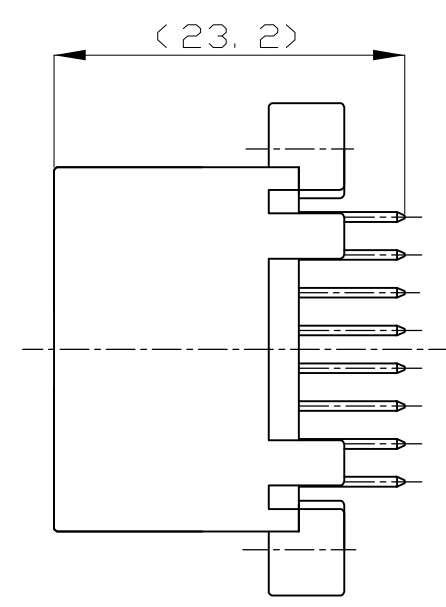
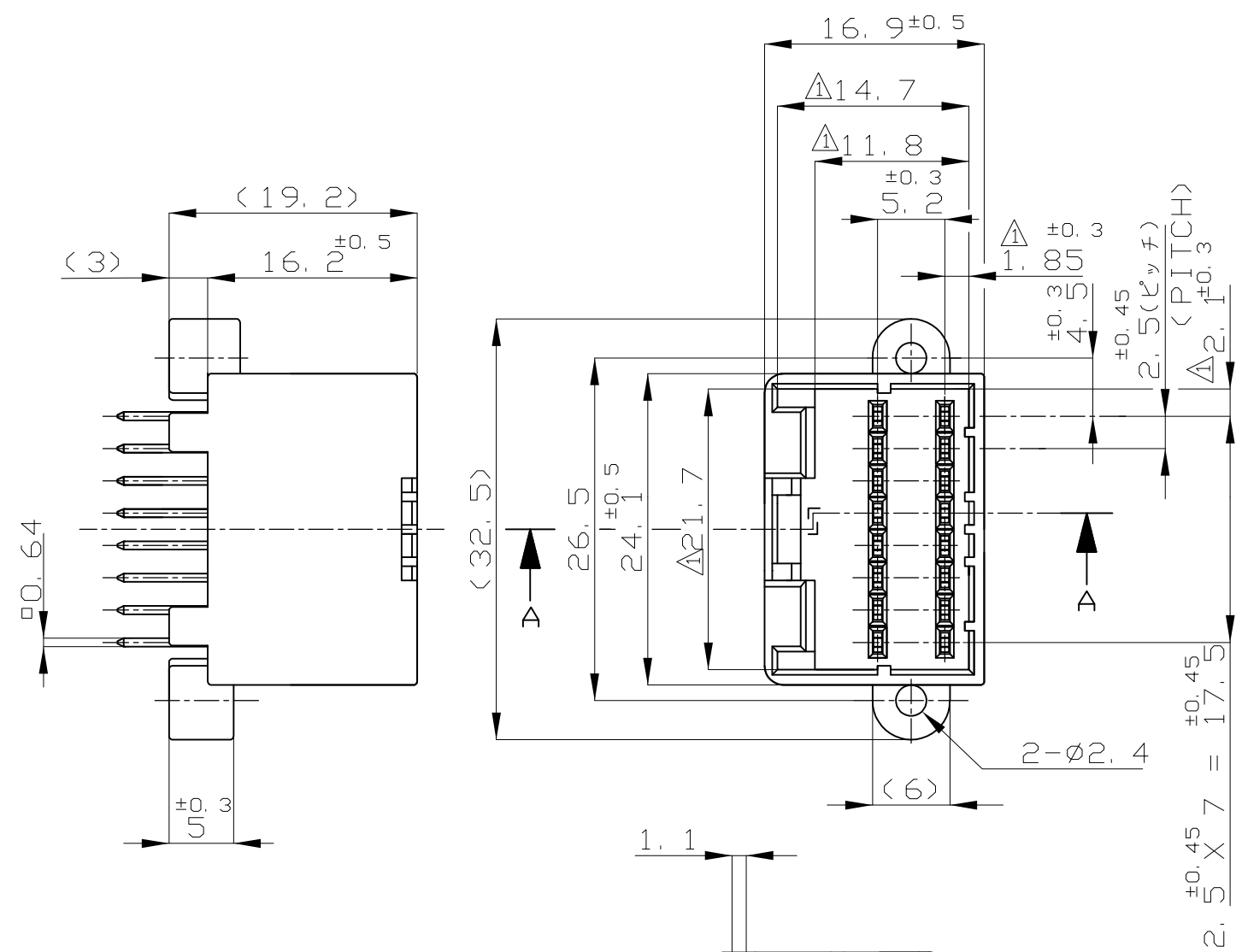


THIS DRAWING IS UNPUBLISHED. RELEASED FOR PUBLICATION  
 © COPYRIGHT - By - ALL RIGHTS RESERVED.

LOC	DIST	REVISIONS					
J	-	P	LTR	DESCRIPTION	DATE	DWN	APVD
			D4	REVISED PER ECO-11-005140	28MAR11	RK	HMR



- 注:
- △ [-Z-] 面より 2mm の範囲で測定
  - 適用プリント基板厚: 1.6mm
  - カン合相手ハウジング型番: 174046
  - 推奨取付ネジ: JIS B1115, B1122 タッピンネジ, ナベ 2種  
呼び径 3, 長さ 6mm (締付けトルク 0.8N-M 以下)

- NOTE:
- △ TO BE MEASURED WITHIN 2mm FROM [-Z-]
  - APPLICABLE P.C.BOARD THICKNESS: 1.6mm
  - THE MATING COUNTERPART PART NUMBER: 174046
  - RECOMMENDED MOUNTING SCREW: 3mm DIA, 6mm LENGTH TAPPING SCREW  
SPECIFIED IN JIS B1115, B1122 (TIGHTENING TORQUE: 0.8N-M MAX.)

	PRE-TIN	NATURAL	174975-4	
OBSOLETE	SELECTIVE-TIN	PRE-TIN	2-174975-1	
	PRE-TIN	BLACK	174975-2	
	SELECTIVE-TIN (MATTE)	SELECTIVE-TIN (BRIGHT)	BLACK	174975-1
	SOLDERING SIDE 半田付け部	CONTACT SIDE 接触部側	COLOR	PART NUMBER 製品型番
	CONTACT FINISH コンタクト仕上		色	製品型番

THIS DRAWING IS A CONTROLLED DOCUMENT.

DIMENSIONS: 単位: 耗 mm	TOLERANCES UNLESS OTHERWISE SPECIFIED: 一般公差	DWN M.KADOSAKI 12OCT05	TE Connectivity			
0 PLC ± -	1 PLC ± -	CHK T.SHINOHARA 12OCT05				
2 PLC ± -	3 PLC ± -	APVD K.BETSUI 12OCT05	NAME 名称			
4 PLC ± -	ANGLES ± -	PRODUCT SPEC 製品規格	16Pos. CAP HOUSING ASS'Y .040 SRS. MULTI-LOCK I/O CONN. (V-TYPE)			
MATERIAL 材料	FINISH 仕上	APPLICATION SPEC 取付適用規格	SIZE	CAGE CODE	DRAWING NO 番号	RESTRICTED TO
HOUSING: PBT	CONTACT: BRASS	WEIGHT	A3	00779	C-174975	-
CUSTOMER DRAWING			SCALE 尺度	SHEET	REV	
			2:1	1 OF 1	D4	

单击下面可查看定价，库存，交付和生命周期等信息

[>>TE Connectivity\(泰科\)](#)