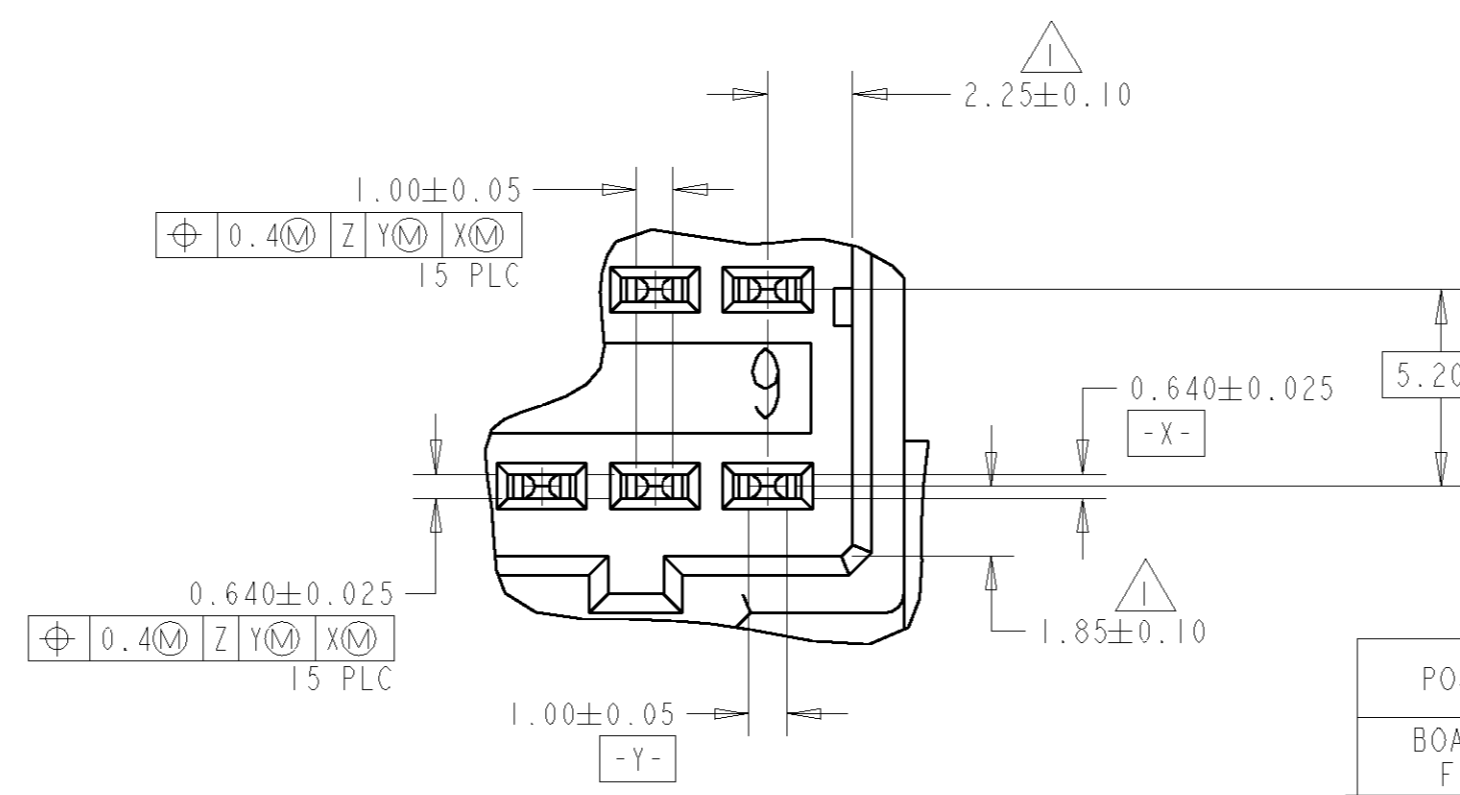
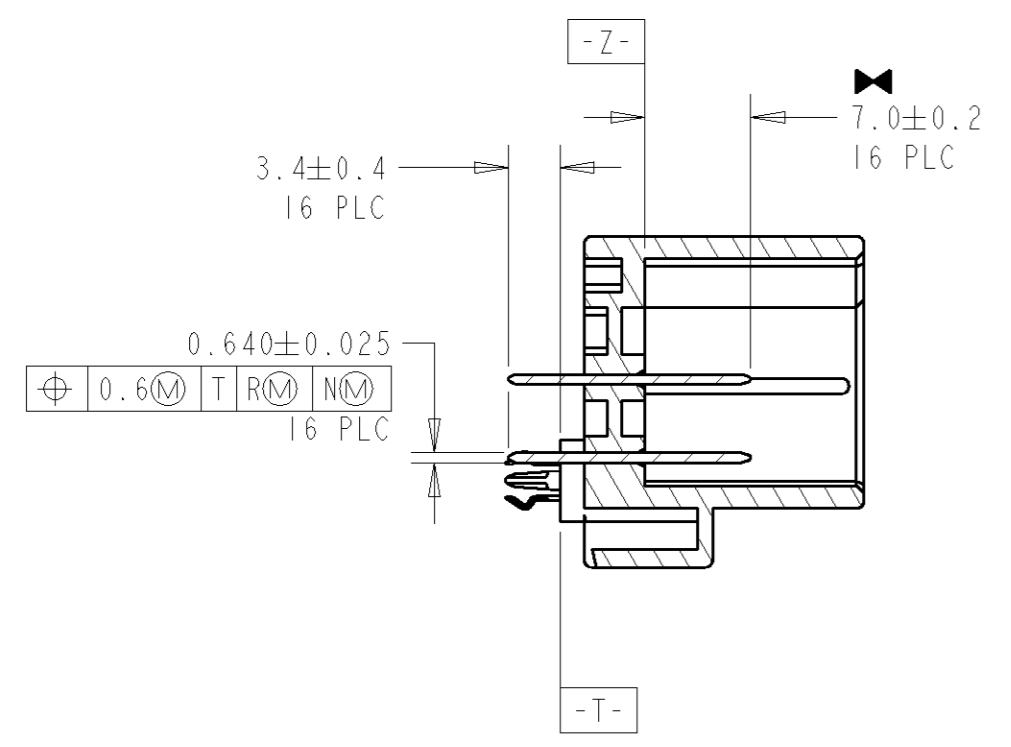
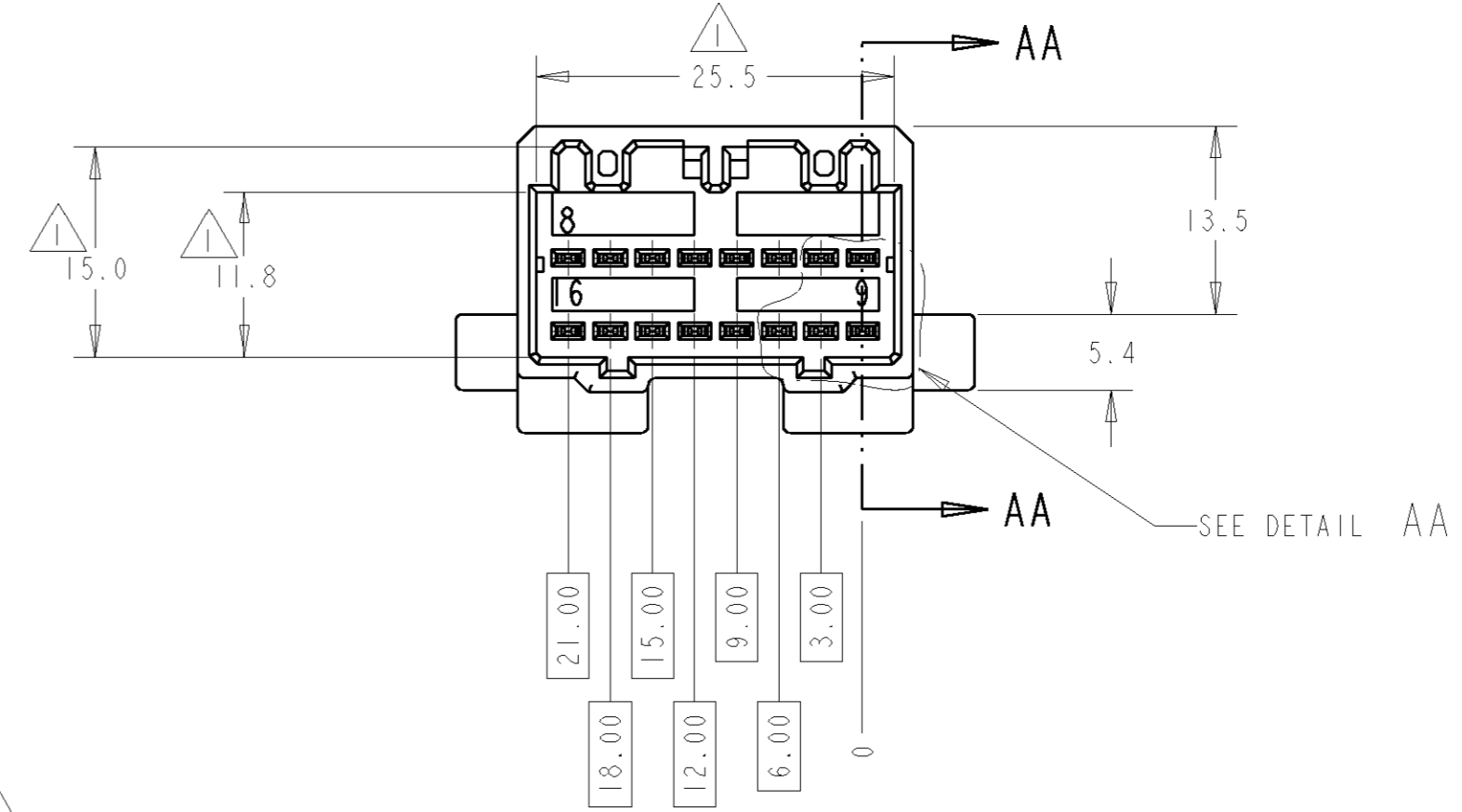
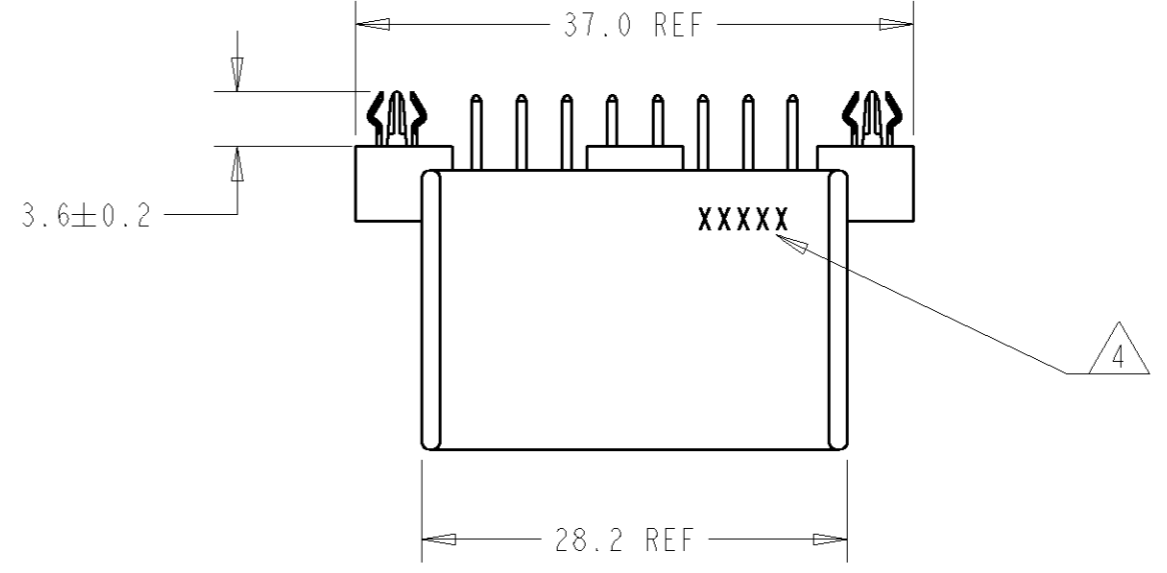
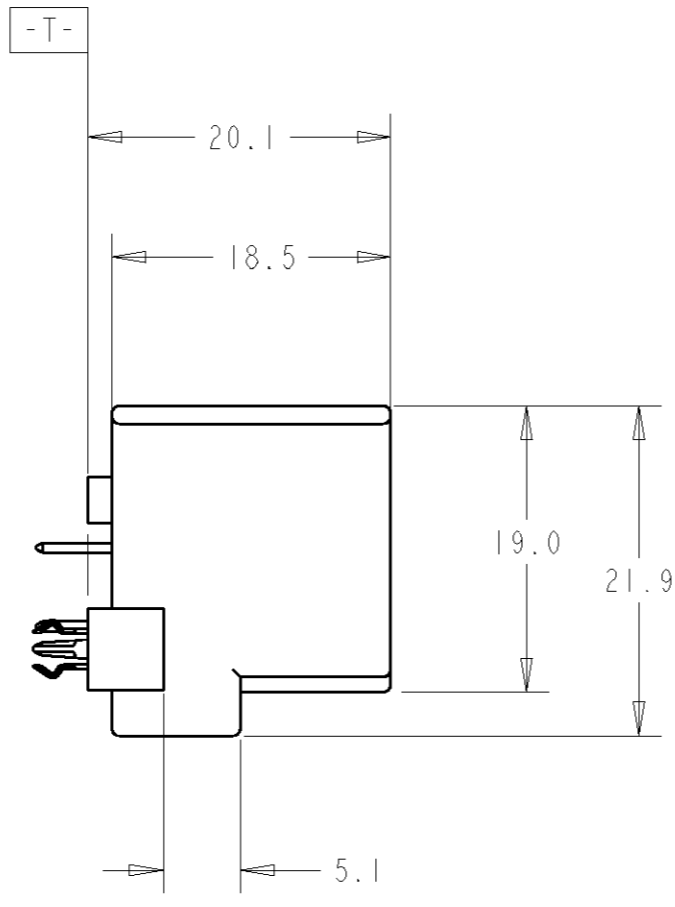
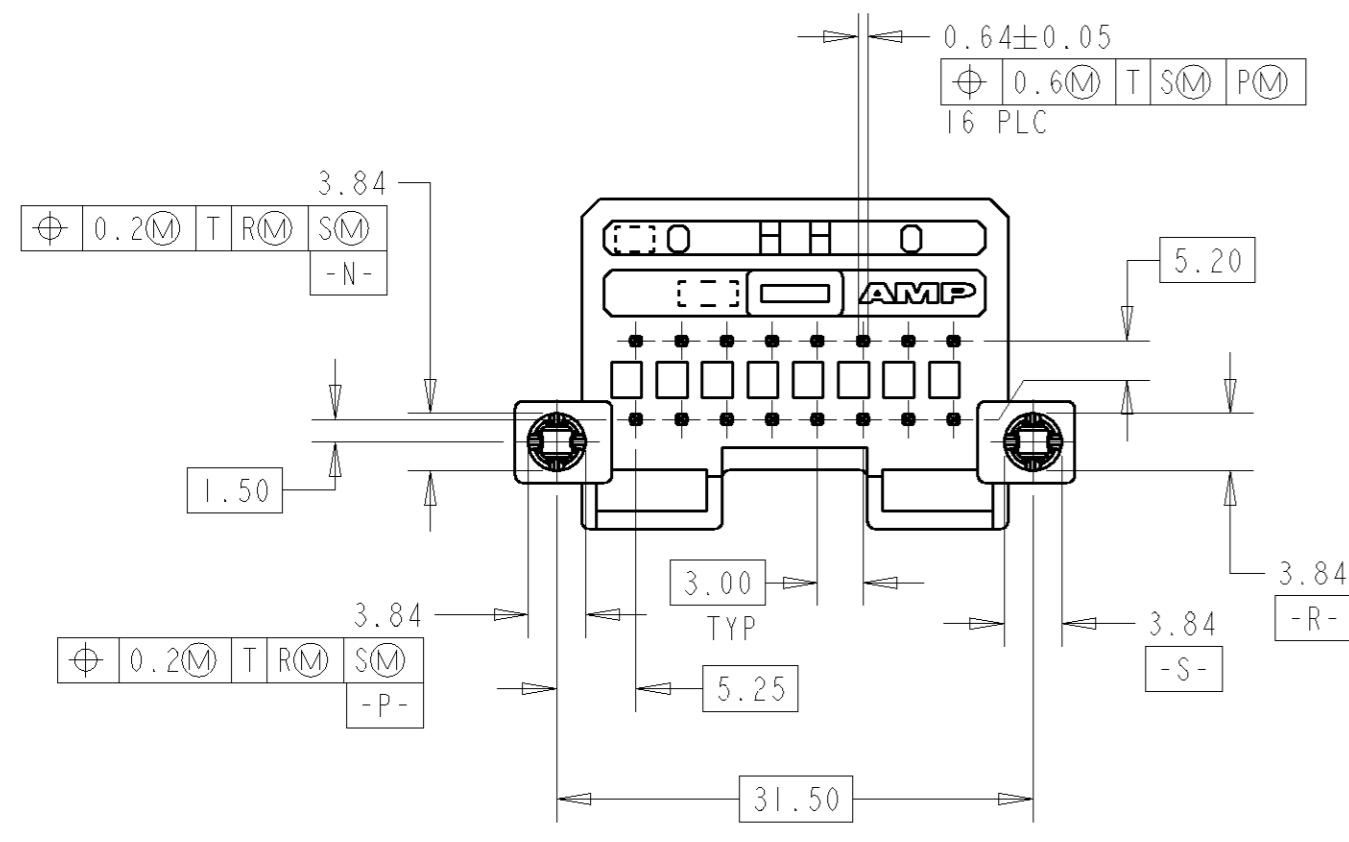
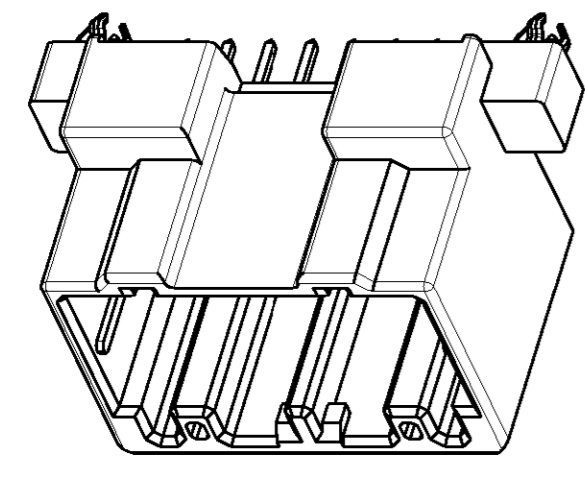


THIS DRAWING IS UNPUBLISHED. RELEASED FOR PUBLICATION .19  
 © COPYRIGHT BY AMP INCORPORATED. ALL RIGHTS RESERVED.

LOC	DIST	REVISIONS			
P	LTR	DESCRIPTION	DATE	DWN	APVD
FX	00				
	O	RELEASED PER NPR 99024	09SEP99	JRB	RAS
	A	REV PER EC 0K80-0155-99	18NOV99	JRB	RAS
	B	REVISED PER EC 0K80-0171-04	12MAY2004	DLD	RMC

- 1 DIMENSION MUST BE HELD BETWEEN -Z- AND 2mm FROM -Z-
- 2 DATUMS AND BASIC DIMENSIONS ESTABLISHED BY CUSTOMER
- 3. THE MATING PLUG PART NUMBER IS 917981
- 4 DATE CODE

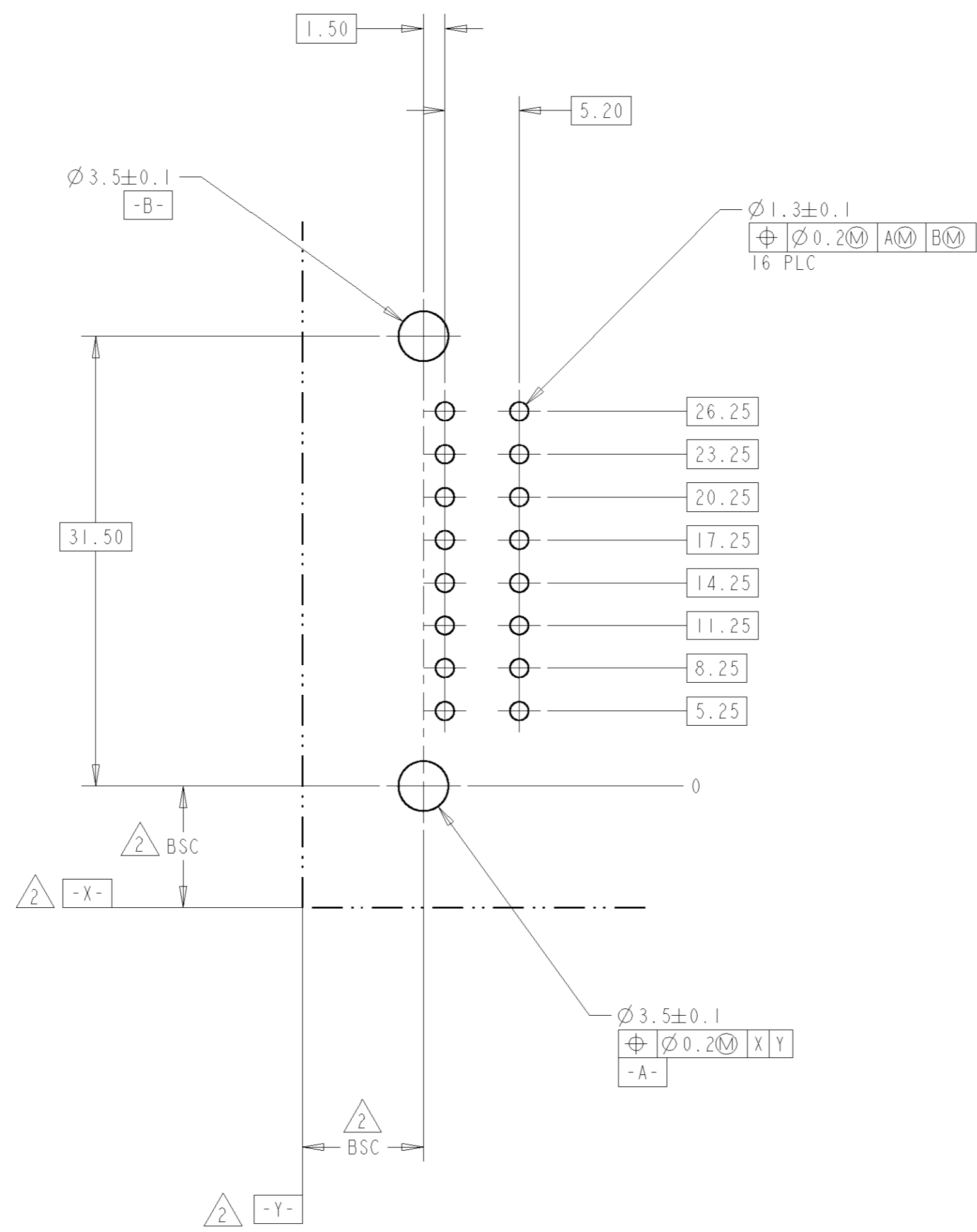


POST TIN	BRASS	POST TIN	BRASS	BLACK	PBT	9-638254-2
BOARDLOCK FINISH	BOARDLOCK MATERIAL	CONTACT FINISH	CONTACT MATERIAL	COLOR	HOUSING MATERIAL	PART NUMBER
<small>THIS DRAWING IS A CONTROLLED DOCUMENT FOR AMP INCORPORATED. IT IS SUBJECT TO CHANGE AND THE CONTROLLING ENGINEERING ORGANIZATION SHOULD BE CONTACTED FOR THE LATEST REVISION.</small>		DWN R. CORE 23MAR99	<b>AMP</b> Tyco Electronics Harrisburg, PA 17105-3608			
DIMENSIONS: mm 		CHK M. MENDYK 23MAR99	NAME 040 HYBRID CAP ASSEMBLY, 16 POSITION VERTICAL MOUNT, WITH BOARDLOCKS			
TOLERANCES UNLESS OTHERWISE SPECIFIED: 0 PLC ± 1 PLC ±0.3 2 PLC ±0.15 3 PLC ± 4 PLC ± ANGLES ±° FINISH		APVD M. MENDYK 23MAR99	PRODUCT SPEC 108-5342 APPLICATION SPEC -			
MATERIAL SEE TABLE		WEIGHT 7.23GR	SIZE A2	CAGE CODE 00779	DRAWING NO G-638254	RESTRICTED TO -
CUSTOMER DRAWING				SCALE 2:1	SHEET 1 OF 2	REV B

638254

THIS DRAWING IS UNPUBLISHED. RELEASED FOR PUBLICATION .19  
 BY AMP INCORPORATED. ALL RIGHTS RESERVED.

LOC	DIST	REVISIONS			
P	LTR	DESCRIPTION	DATE	DWN	APVD
FX	00	SEE SHEET 1	-	-	-



P.C. BOARD LAYOUT  
 (SOLDER SIDE)  
 1.6 THK PCB

<small>THIS DRAWING IS A CONTROLLED DOCUMENT FOR AMP INCORPORATED. IT IS SUBJECT TO CHANGE AND THE CONTROLLING ENGINEERING ORGANIZATION SHOULD BE CONTACTED FOR THE LATEST REVISION.</small>		DWN R. CORE 23MAR99 CHK M. MENDYK 23MAR99 APVD M. MENDYK 23MAR99	<b>AMP</b> Tyco Electronics Harrisburg, PA 17105-3608
DIMENSIONS: mm 	TOLERANCES UNLESS OTHERWISE SPECIFIED: 0 PLC ± 1 PLC ±0.3 2 PLC ±0.15 3 PLC ± 4 PLC ± ANGLES ±° FINISH -	NAME 040 HYBRID CAP ASSEMBLY, 16 POSITION VERTICAL MOUNT, WITH BOARDLOCKS PRODUCT SPEC - APPLICATION SPEC - WEIGHT -	SIZE A2 CAGE CODE 00779 DRAWING NO. 638254 RESTRICTED TO -
MATERIAL -		CUSTOMER DRAWING SCALE 2:1 SHEET 2 OF 2 REV B	

638254

单击下面可查看定价，库存，交付和生命周期等信息

[>>TE Connectivity\(泰科\)](#)