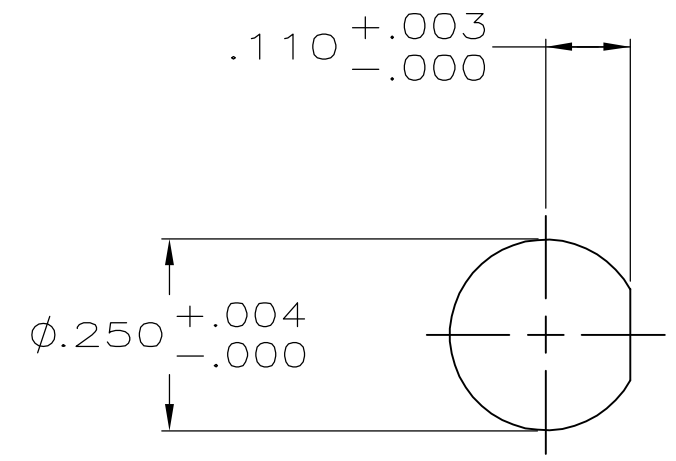
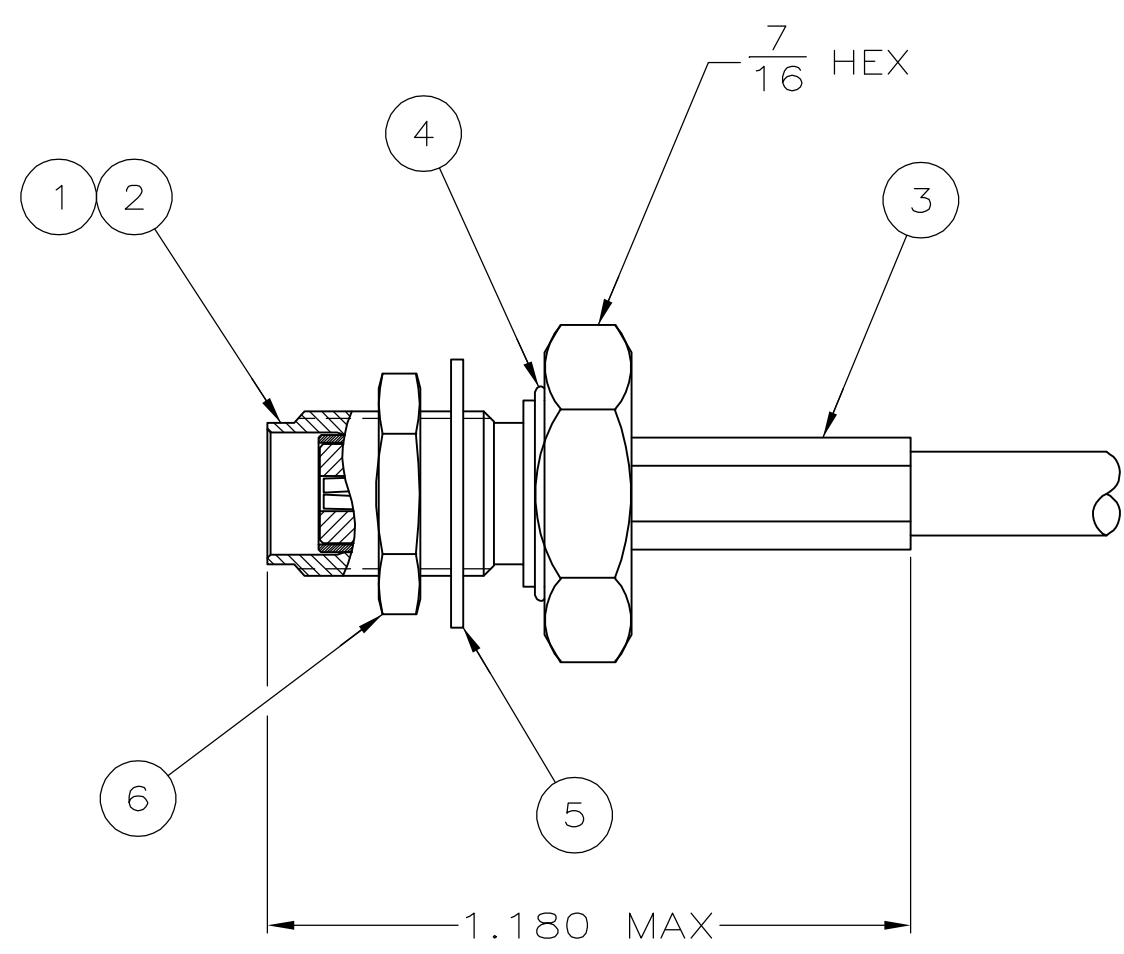


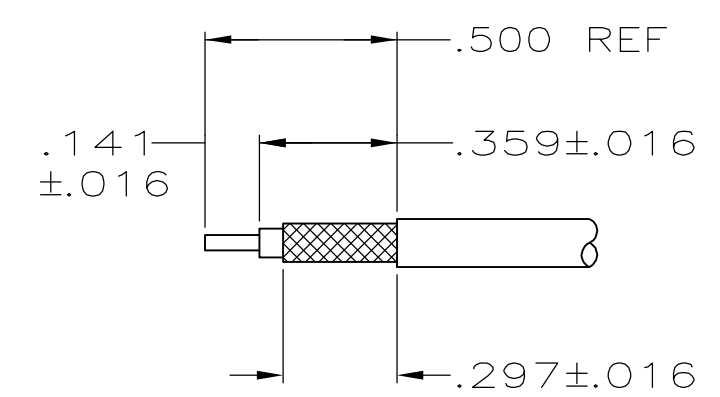
THIS DRAWING IS UNPUBLISHED. RELEASED FOR PUBLICATION  
 © COPYRIGHT BY TYCO ELECTRONICS CORPORATION. ALL RIGHTS RESERVED.

LOC	DIST	REVISIONS			
P	LTR	DESCRIPTION	DATE	DWN	APVD
AJ	16	0	REV PER EC-0S14-0496-04	01FEB2005	LV DC



RECOMMENDED PANEL CUTOUT

- ⚠ FOR USE WITH RG-174/U, 188/U, AND 316/U CABLE.
- ⚠ CENTER CONTACT: CRIMPING TOOL M22520/2-01 POSITIONER, DMC K997 SELECTOR SETTING, SEE TABLE
- ⚠ FERRULE: CRIMPING TOOL M22520/5-01 DIE M22520/5-35 B OR .128X.400 HEX
- 4. PRODUCT MEETS PRODUCT SPECIFICATION 108-1574.
- 5. INSTRUCTION SHEET: 408-4032



RECOMMENDED STRIP LENGTH FOR CRIMPED CENTER CONTACT

⚠	4	⚠	⚠	2-332004-0	1-22145-3	1-22130-6	9-446556-1	447842-3	448105-2	5448103-2
FERRULE CRIMPING TOOL	SELECTOR SETTING	CENTER CONTACT CRIMPING TOOL	CABLE SIZE	⑥ JAM NUT QTY=1	⑤ LOCK-WASHER QTY=1	④ O-RING QTY=1	③ FERRULE QTY=1	② CONTACT QTY=1	① BULKHEAD JACK ASSY QTY=1	PART NUMBER

THIS DRAWING IS A CONTROLLED DOCUMENT.

DWN	L. VARELA - DOCK5	01FEB2005	Tyco Electronics Corporation Harrisburg, PA 17105-3608			
CHK	J. HAVENER	01FEB2005				
APVD	D. CAMELIO	01FEB2005				
NAME	CONNECTOR, JACK, BULKHEAD, SMA, HEX CRIMP, COMMERCIAL					
DIMENSIONS: INCHES	TOLERANCES UNLESS OTHERWISE SPECIFIED:	PRODUCT SPEC	SIZE	CAGE CODE	DRAWING NO	RESTRICTED TO
0 PLC ± -	1 PLC ± -	---	A2	00779	C=5448103	---
2 PLC ± -	3 PLC ± -	---	SCALE	NONE	SHEET	1 OF 1
4 PLC ± -	ANGLES ± -	---	CUSTOMER DRAWING	SCALE	NONE	REV
MATERIAL	FINISH	WEIGHT	---			

5448103

单击下面可查看定价，库存，交付和生命周期等信息

[>>TE Connectivity\(泰科\)](#)