

THIS DRAWING IS UNPUBLISHED.

RELEASED FOR PUBLICATION

20

© COPYRIGHT 20

TE

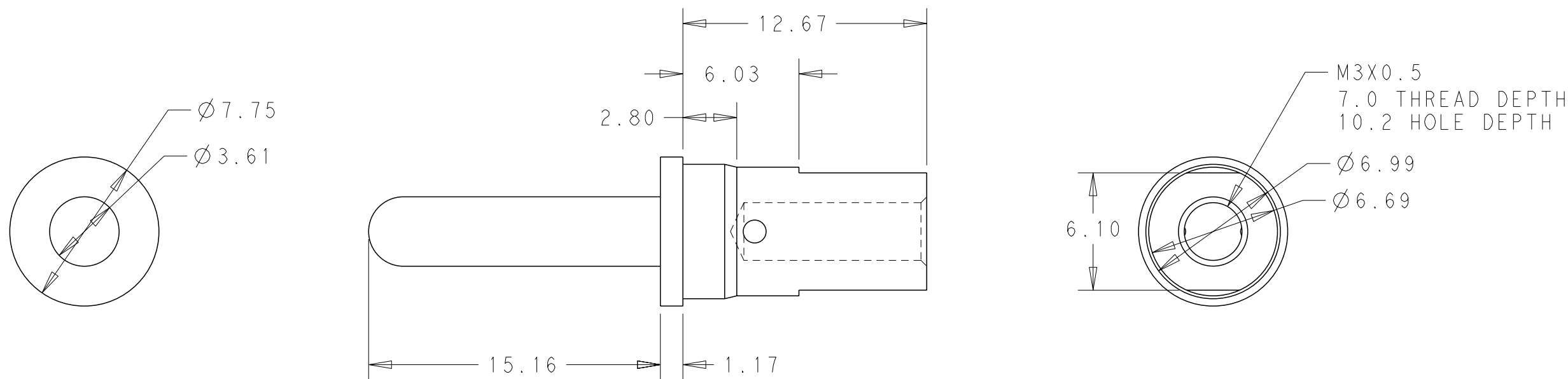
ALL RIGHTS RESERVED.

LOC
GP

DIST
00

REVISIONS

P	LTR	DESCRIPTION	DATE	DWN	APVD
	1	INITIAL EDITION	19JUL2016	RS	SZ



1 MATERIAL:
COPPER ALLOY


2 FINISH:
PERFORMANCE BASED PLATING.

3. ITEMS PROVIDED TO THIS SPECIFICATION TO BE PERMANENTLY IDENTIFIED ON THE CONTAINER PER THE FOLLOWING IDENTIFIER:

PART NO. AND MANUFACTURING DATE CODE

1651904-1

PART NO.

THIS DRAWING IS A CONTROLLED DOCUMENT.		DWN RADAR SUN 19JUL2016	 TE Connectivity	
DIMENSIONS: MM		CHK SUNY ZHAO 19JUL2016		
TOLERANCES UNLESS OTHERWISE SPECIFIED:		APVD SUNY ZHAO 19JUL2016	NAME PIN CONTACT, SIZE No.8, M3 X 0.5THD, REMOVABLE	
0 PLC ±- 1 PLC ±0.50 2 PLC ±0.25 3 PLC ±- 4 PLC ±- ANGLES ±-		PRODUCT SPEC 108-64019	SIZE A3	
MATERIAL -		FINISH -	APPLICATION SPEC 114-64005	CAGE CODE C-1651904
		WEIGHT -	RESTRICTED TO -	
		CUSTOMER DRAWING	SCALE 4:1	SHEET 1 OF 1
			REV 1	

单击下面可查看定价，库存，交付和生命周期等信息

[>>TE Connectivity\(泰科\)](#)