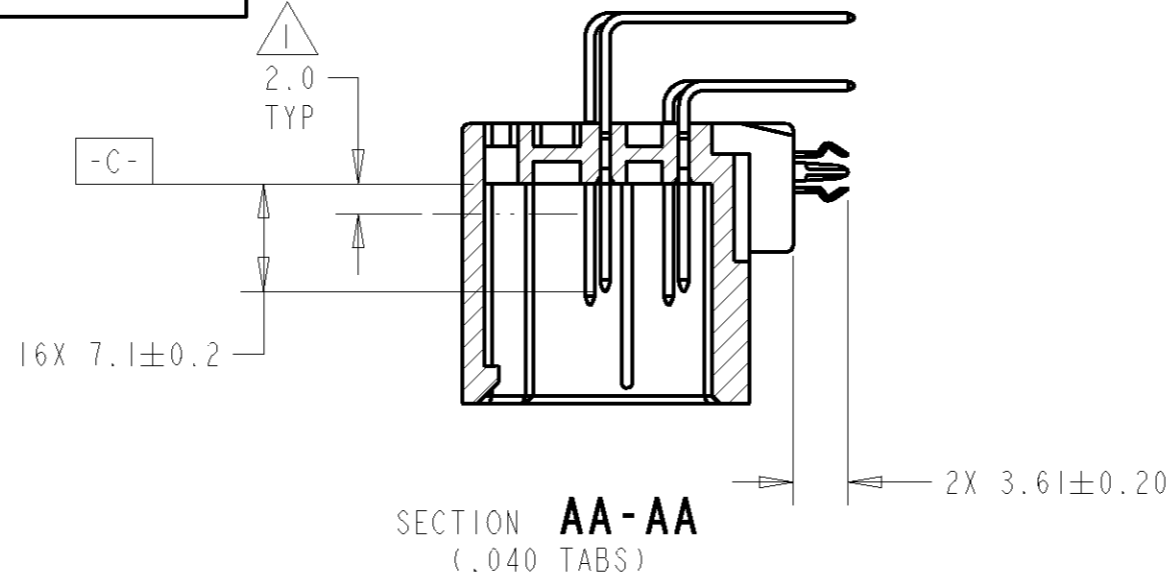
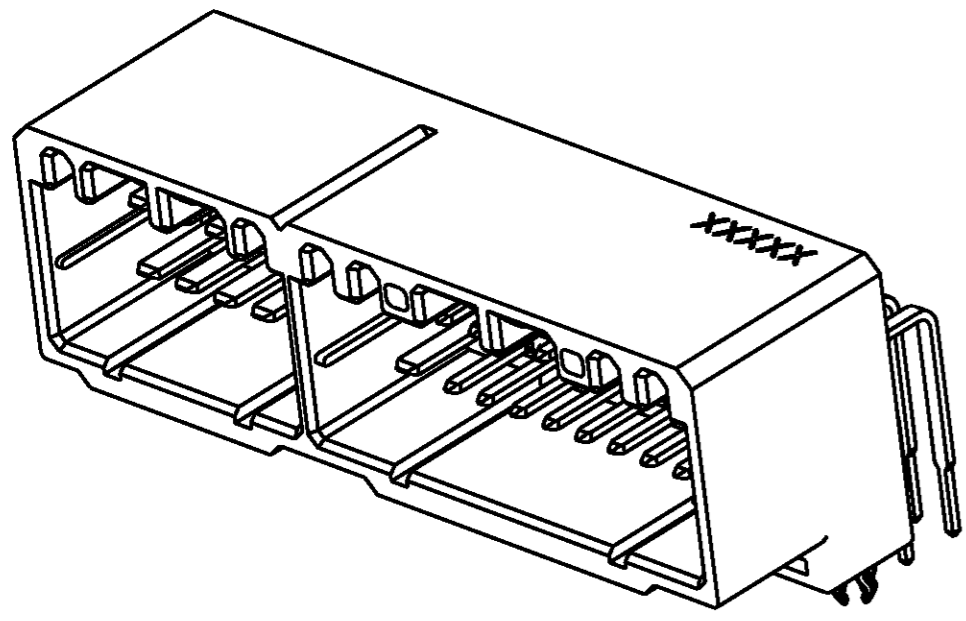
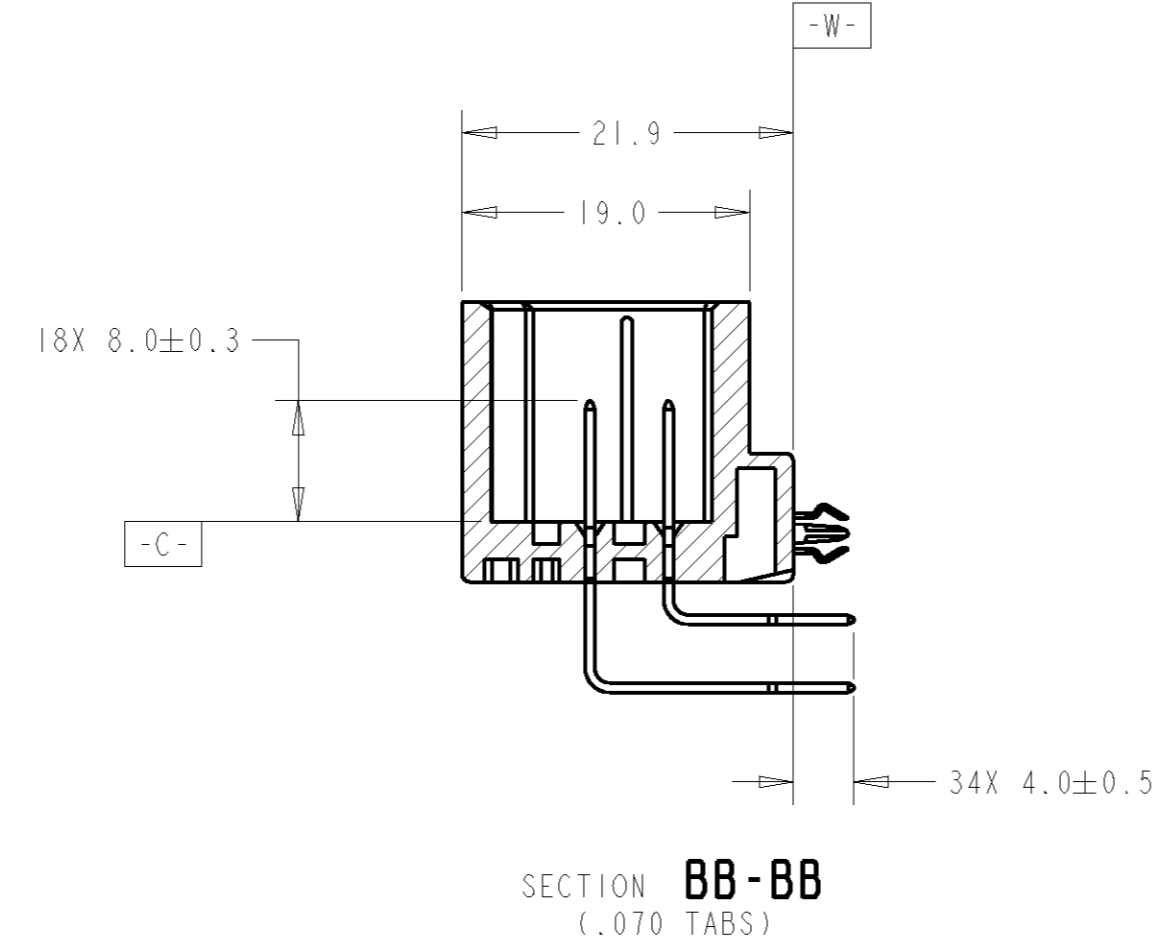
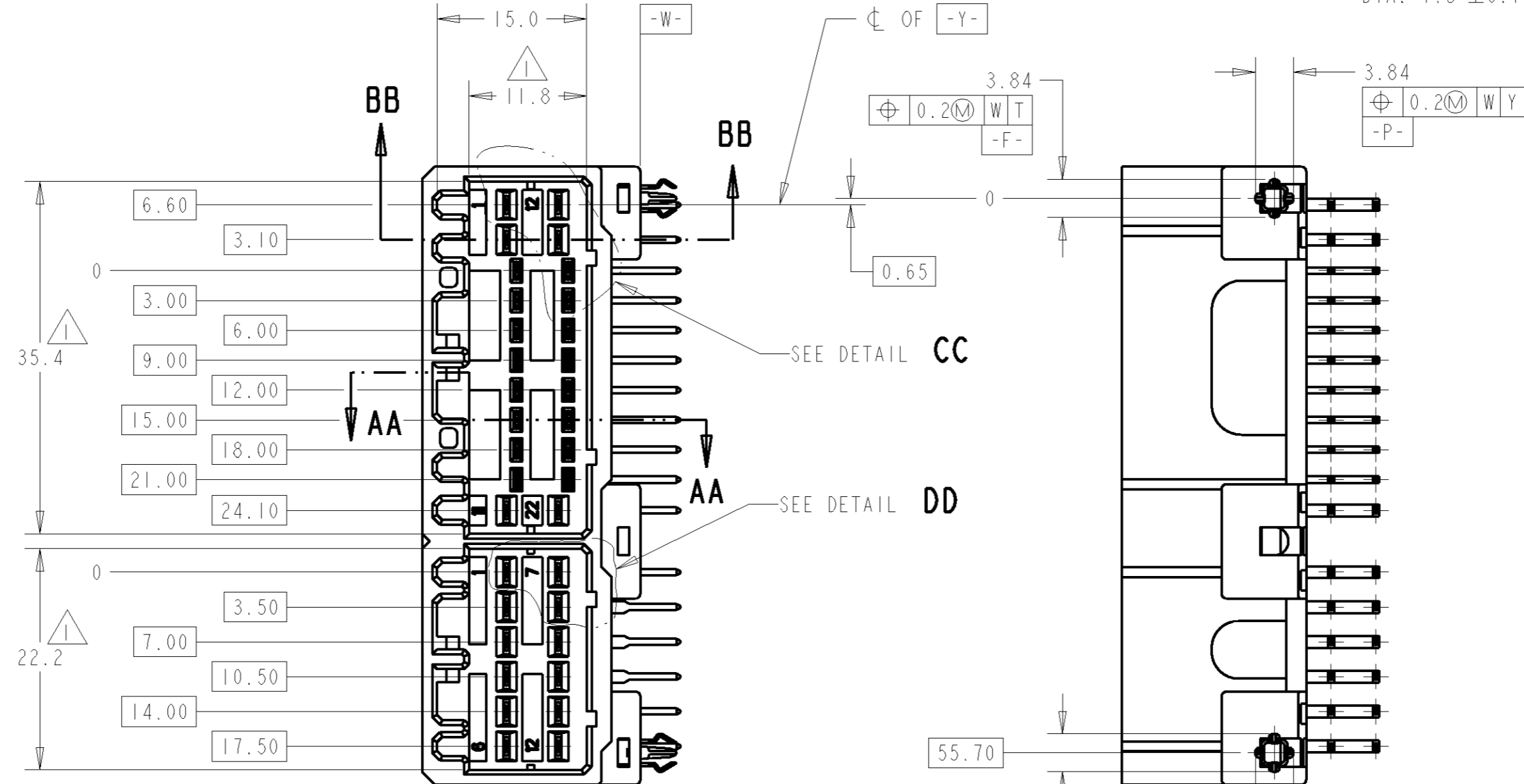
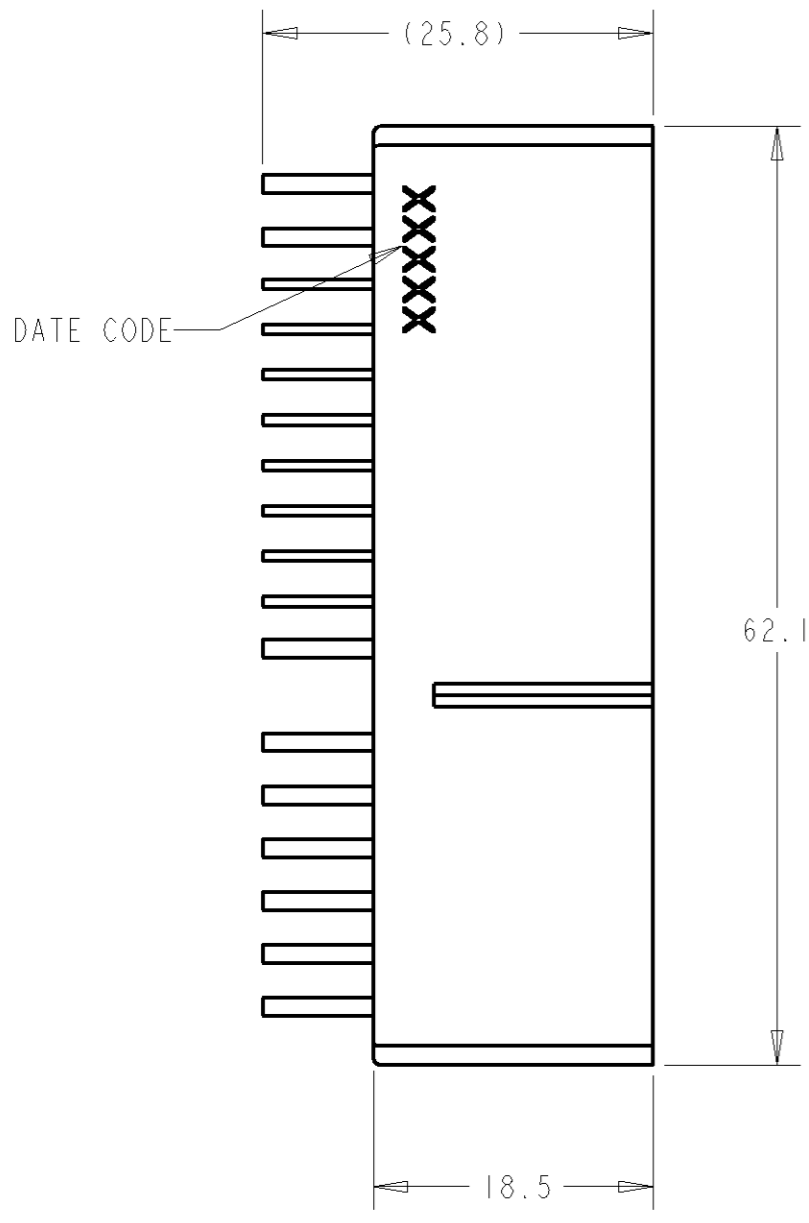


THIS DRAWING IS UNPUBLISHED. RELEASED FOR PUBLICATION 20  
 © COPYRIGHT 20 BY TYCO ELECTRONICS CORPORATION. ALL RIGHTS RESERVED.

LOC		DIST		REVISIONS			
P	LTR	DESCRIPTION	DATE	DWN	APVD		
	Q	PRELIM RLSD PER EC 0K80-0413-04	24NOV2004	RGV	RMC		
	A	REVISED PER EC 0K80-0021-05	04FEB2005	RDW	RMC		
	AI	RELEASED PER ECR 05-000198	20MAY2005	DLD	RMC		



- 1 DIMENSION MUST BE HELD BETWEEN **-C-** AND 2mm FROM **-C-**
- 2 DATUMS AND BASIC DIMENSIONS ESTABLISHED BY CUSTOMER.
- 3. THE MATING PLUG PART NUMBERS ARE 917978 AND 917989.
- 4 JAPAN PART NUMBER 175444-6 CUSTOMER DRAWING RECOMMENDS DIA. 1.1 ±0.1 HOLES. USA RECOMMENDS HOLE DIA. 1.3 ±0.1 FOR ROBOTIC PLACEMENT.



BRASS	PRE-TIN	BRASS	PRE-TIN	PBT	NATURAL	9-1438845-1
MATERIAL	FINISH	MATERIAL	FINISH	MATERIAL	COLOR	PART NO
BOARDLOCK		CONTACT		HOUSING		

THIS DRAWING IS A CONTROLLED DOCUMENT FOR TYCO ELECTRONICS CORPORATION. IT IS SUBJECT TO CHANGE AND THE CONTROLLING ENGINEERING ORGANIZATION SHOULD BE CONTACTED FOR THE LATEST REVISION.

DIMENSIONS: mm	TOLERANCES UNLESS OTHERWISE SPECIFIED:	DWN R VESTAL 24NOV2004	Tyco Electronics Harrisburg, PA 17105-3608
		CHK R COOPER 24NOV2004	
		APVD R COOPER 24NOV2004	
		NAME CAP ASSEMBLY, 34 POSN, 040/070 HYBRID, HORIZONTAL MULTILOCK, WITH BOARDLOCKS	
MATERIAL SEE TABLE	FINISH SEE TABLE	PRODUCT SPEC -	SIZE A2
		APPLICATION SPEC -	CAGE CODE 00779
		WEIGHT -	DRAWING NO C-1438845
		CUSTOMER DRAWING	RESTRICTED TO -

SCALE 2:1 SHEET 1 OF 2 REV AI

1438845



单击下面可查看定价，库存，交付和生命周期等信息

[>>TE Connectivity\(泰科\)](#)