

THIS DRAWING IS UNPUBLISHED.

RELEASED FOR PUBLICATION

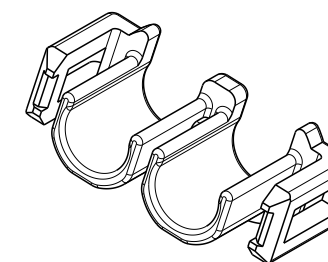
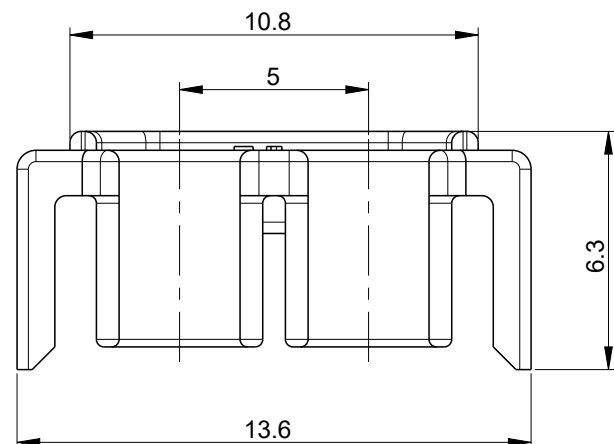
20

© COPYRIGHT20 BY -

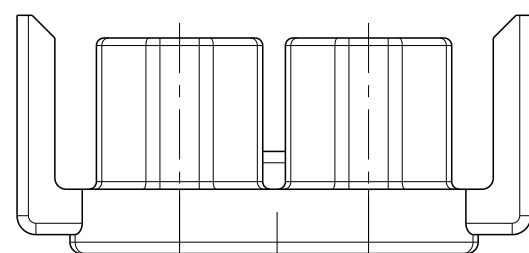
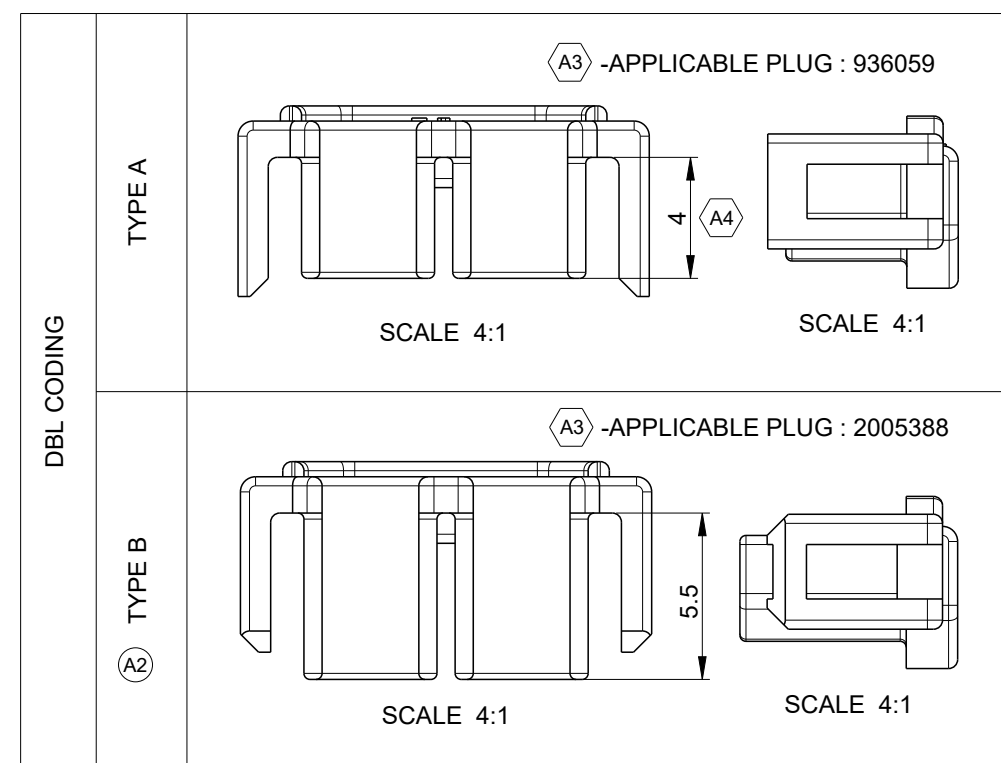
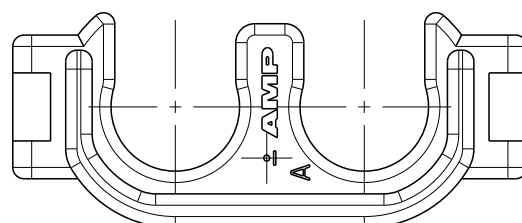
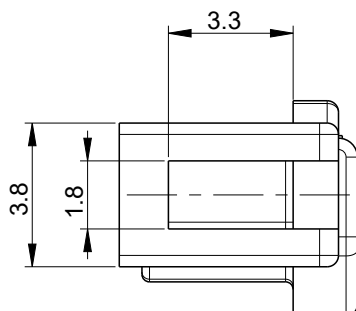
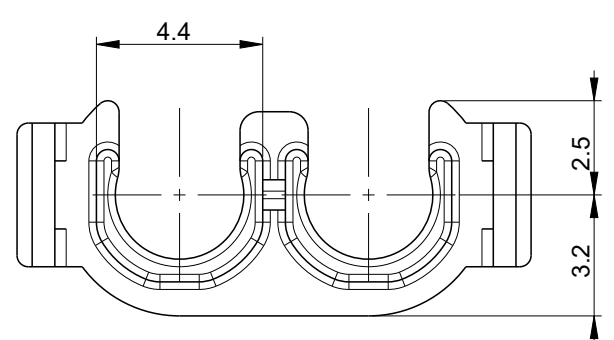
ALL RIGHTS RESERVED.

REVISIONS

P	LTR	DESCRIPTION	DATE	DWN	APVD
A2		REVISED (ECR-16-005448)	30.MAY.16	KT	HG
A3		REVISED (ECR-18-000247)	21.DEC.17	JS	YJ
A4		REVISED (ECR-18-017269)	01.NOV.18	JS	YJ
A5		REVISED (ECR-20-004115)	18.MAR.20	JH	YJ



SCALE 3:1



NOTE

- 1. APPLICABLE PLUG HSG P/N : 936059, 2005388
- 2. GENERAL TOLERANCE : $\pm 0.3, \pm 3^\circ$

TYPE	COLOR	MATERIAL	PART NO.
(A2) B	GRAY	PBT	1-936103-3
(A5) B	BLACK	PBT	1-936103-2
A	GRAY	PBT	0-936103-3
A	BLACK	PBT	0-936103-2
A	YELLOW	PBT	0-936103-1

THIS DRAWING IS A CONTROLLED DOCUMENT.

DIMENSIONS:	TOLERANCES UNLESS OTHERWISE SPECIFIED:
mm	0 PLC \pm
	1 PLC \pm
	2 PLC \pm
	3 PLC \pm
	4 PLC \pm
	ANGLES \pm
MATERIAL	FINISH -
SEE TABLE	

DWN	JW LEE
CHK	BM JANG
APVD	CS LEE
PRODUCT SPEC	-
APPLICATION SPEC	-
WEIGHT	-

NAME			
DBL HSG FOR 2.8mm SEALED 2P PLUG ASSY			
SIZE	CAGE CODE	DRAWING NO	RESTRICTED TO
A3	00779	C-936103	-

CUSTOMER DRAWING SCALE 5:1 SHEET 1 OF 1 REV A5

单击下面可查看定价，库存，交付和生命周期等信息

[>>TE Connectivity\(泰科\)](#)