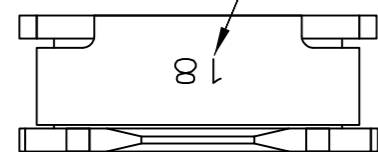


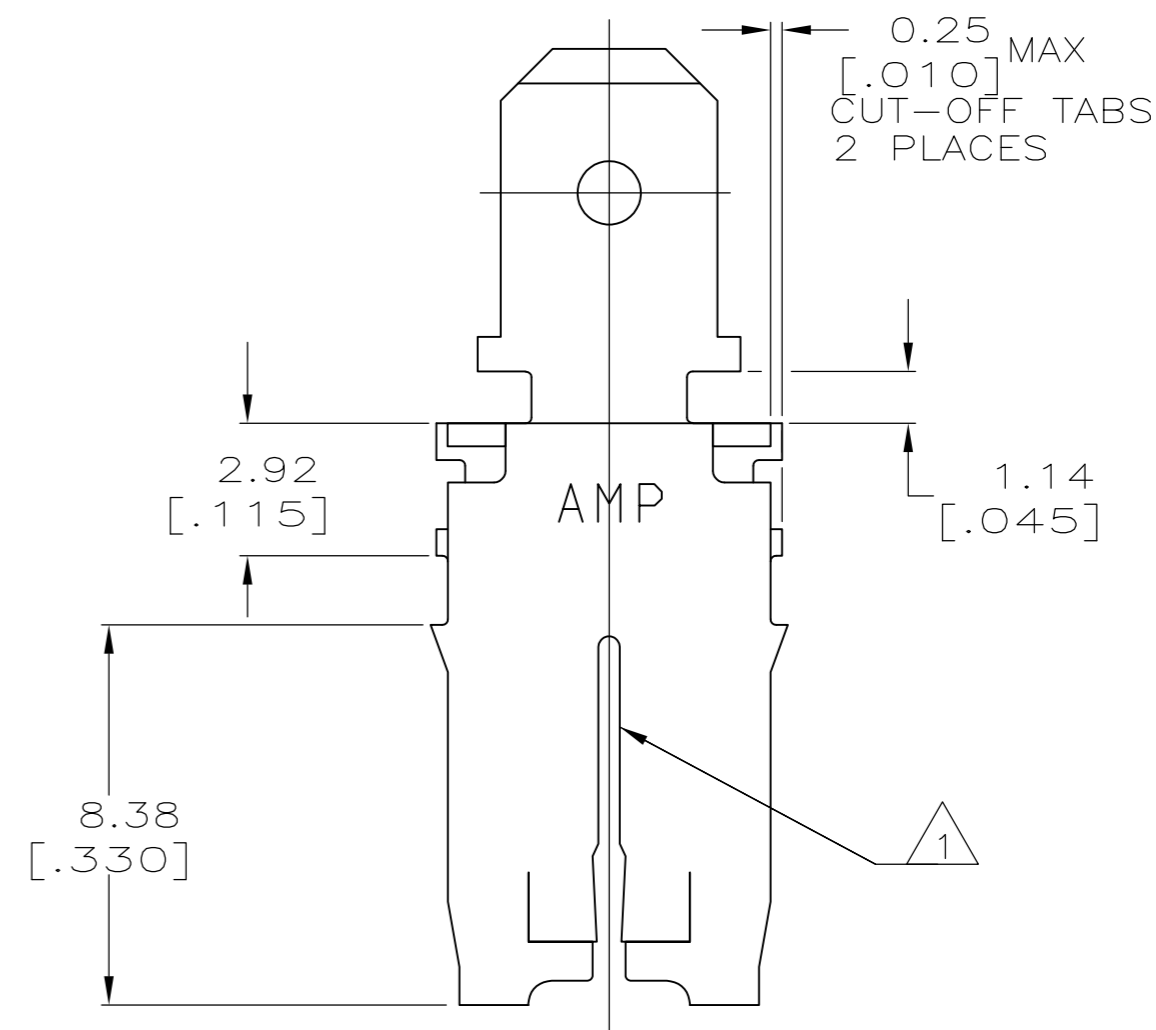
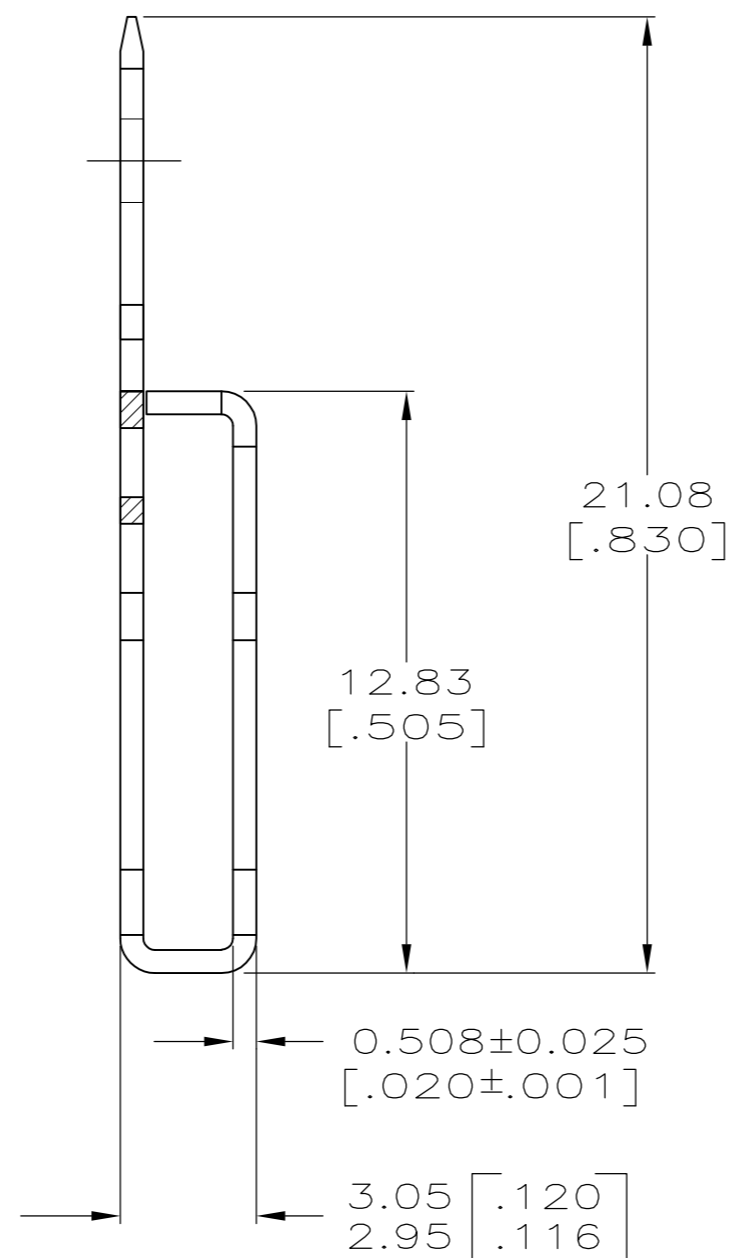
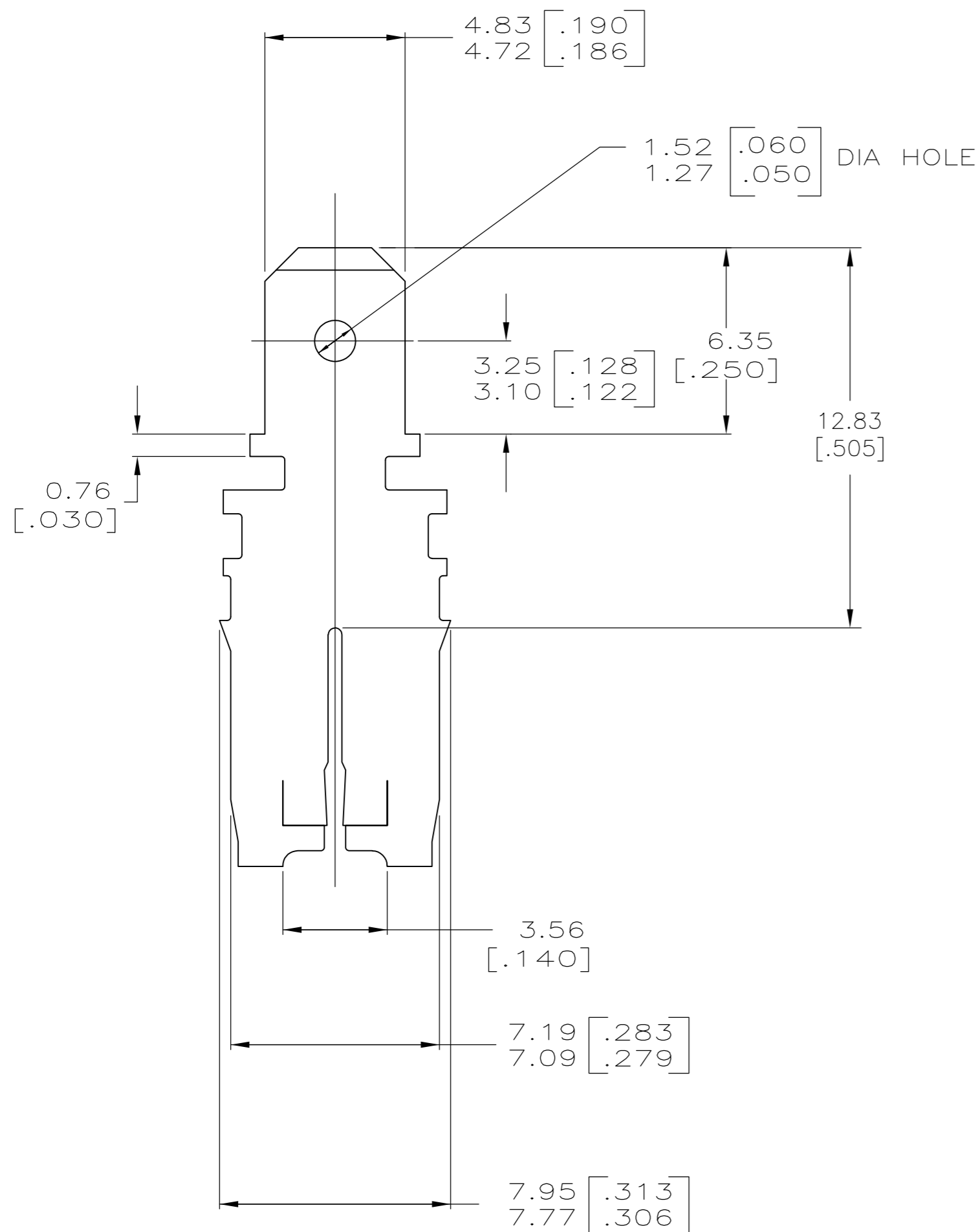
THIS DRAWING IS UNPUBLISHED. RELEASED FOR PUBLICATION  
 © COPYRIGHT - By - ALL RIGHTS RESERVED.

LOC		DIST		REVISIONS			
P	LTR	DESCRIPTION		DATE	DWN	APVD	
AF	50	B1	ECR-13-017177	05NOV13	PKS	RRP	

IDENTIFICATION NUMBER 18 FOR MAGNET WIRE RANGE



- 1 SLOT ACCEPTS 0.64-0.81mm [#22-#20] AWG COPPER MAGNET WIRE. 2 WIRES OF THE SAME SIZE MAX PER SLOT.
- 2 AFTER INSERTION INTO PLASTIC HOLDER TAB PORTION MUST BE BENT OVER 45° TO 90° OR POTTED-IN TO PREVENT PULL-OUT WHEN MATING RECEPTACLE IS DISCONNECTED.
- 3 TIN PLATE



63708-1  
PART NO.

THIS DRAWING IS A CONTROLLED DOCUMENT.		DWN MICHAEL S. FEHER 5/24/93		
DIMENSIONS: mm [INCHES]		CHK JEFF R. RUTH 6/2/93		
TOLERANCES UNLESS OTHERWISE SPECIFIED:		APVD NELSON E. NEFF 6/2/93	NAME TAB, LOOSE PIECE, 4.75 [.187] FASTON™, MAG-MATE™	
0 PLC ± -		PRODUCT SPEC 108-2053	SIZE A2	CAGE CODE 00779
1 PLC ± -		APPLICATION SPEC 114-2066	DRAWING NO C-63708	RESTRICTED TO -
2 PLC ± 0.25 [.010]		MATERIAL BRASS	SCALE 6:1	SHEET 1 of 1
3 PLC ± -		FINISH -3	REV B1	
4 PLC ± -				
ANGLES ± -				

单击下面可查看定价，库存，交付和生命周期等信息

[>>TE Connectivity\(泰科\)](#)