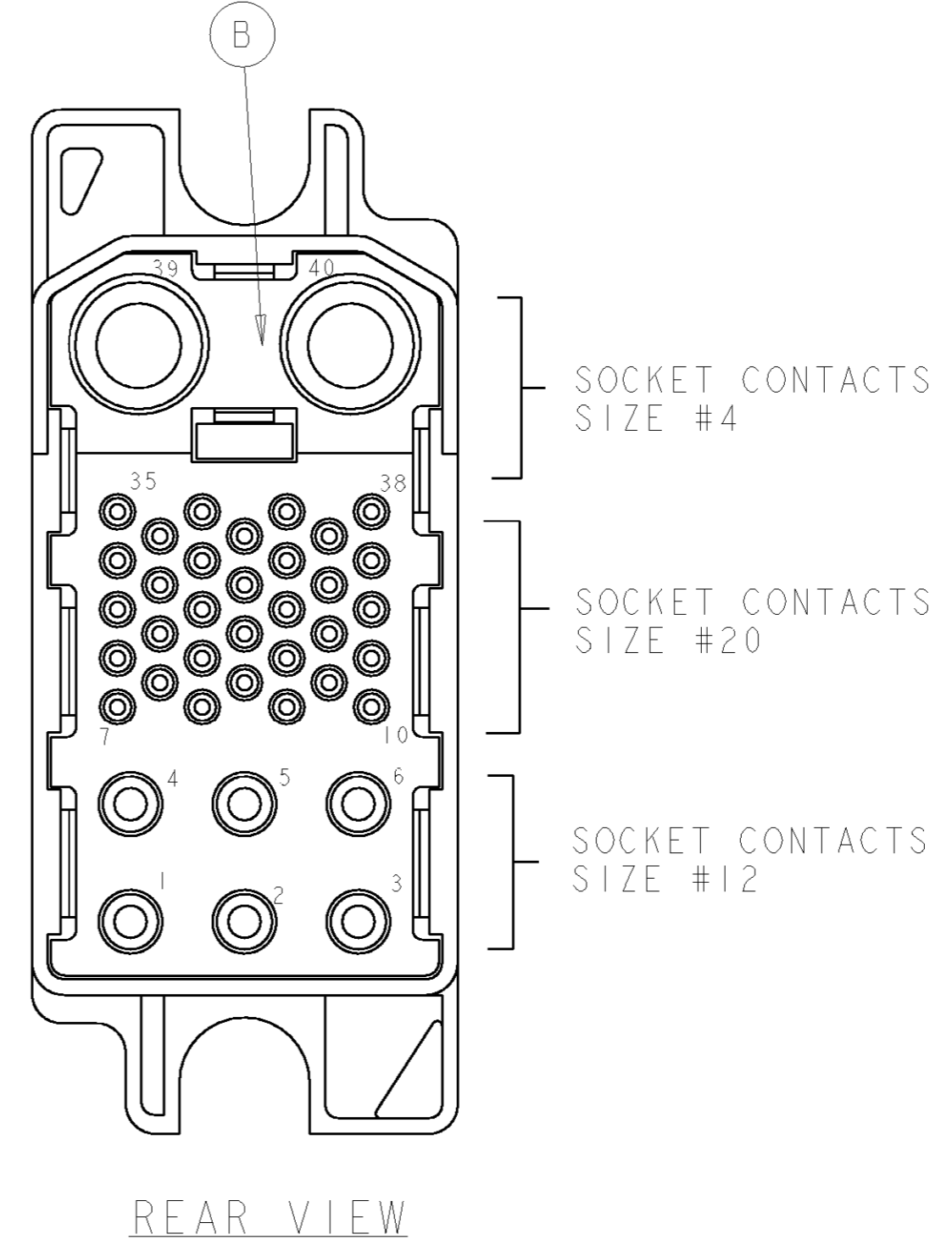
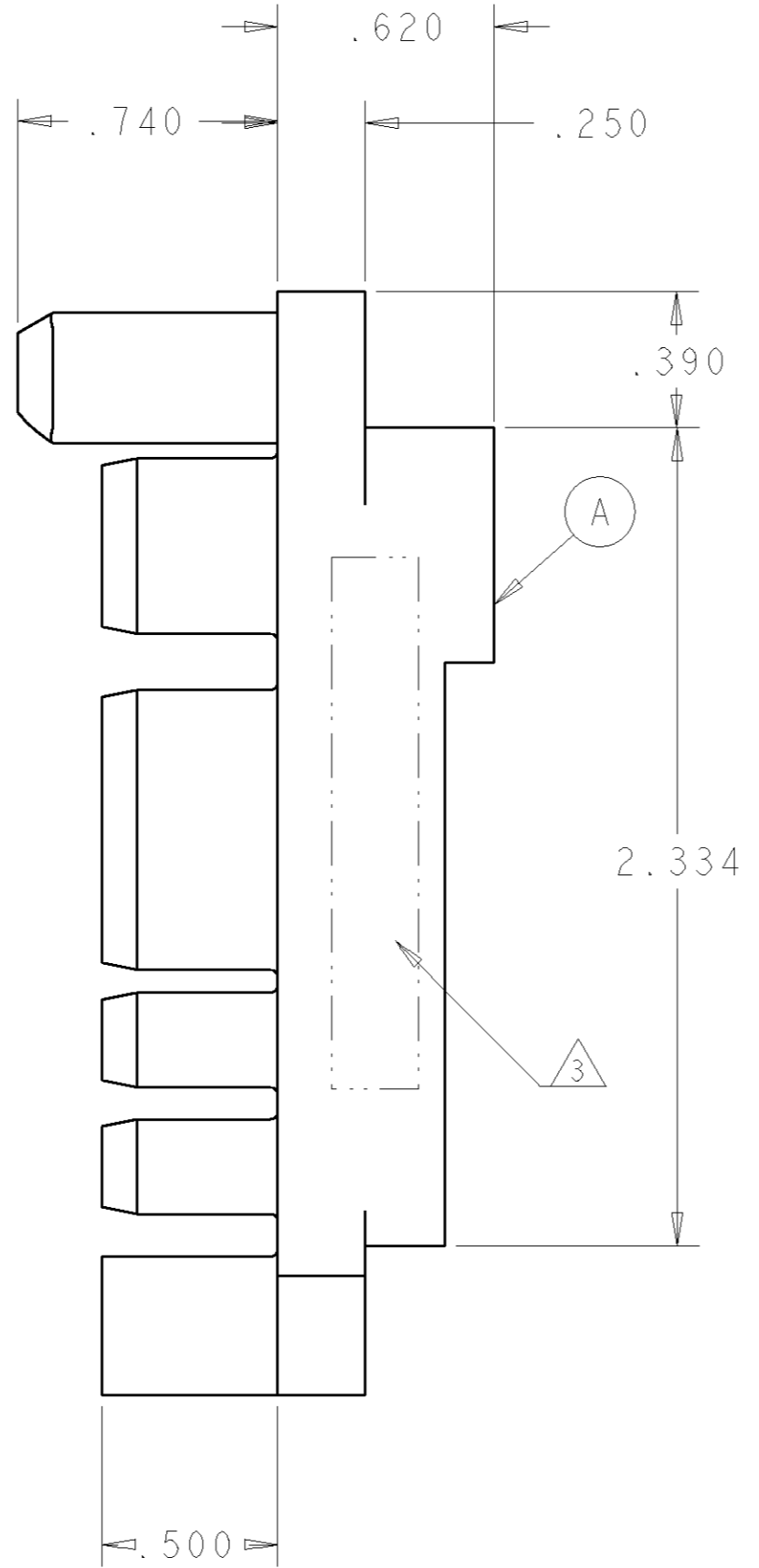
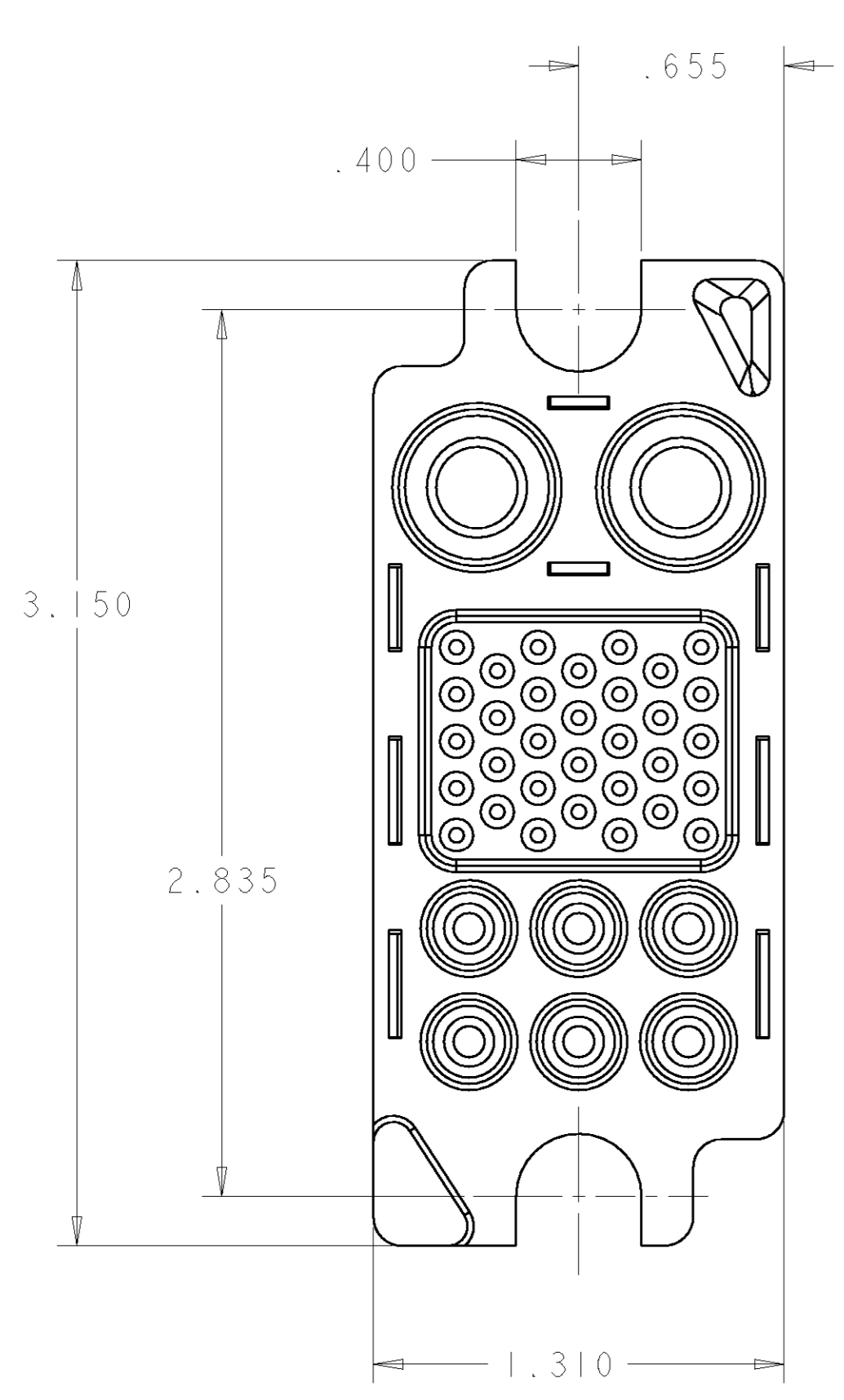


THIS DRAWING IS UNPUBLISHED. RELEASED FOR PUBLICATION 20
 © COPYRIGHT 20 BY TYCO ELECTRONICS CORPORATION. ALL RIGHTS RESERVED.

REVISIONS							
LOC	DIST	P	LTR	DESCRIPTION	DATE	DWN	APVD
GP	00		A	NEW RELEASE	26APR2007	RG	DO



1. PART NUMBER CHANGES AND OR DESIGN CHANGES AFFECTING THE INTERCHANGEABILITY REQUIRE PRIOR TYCO APPROVAL AND AUTHORIZATION BY REVISION TO THIS DRAWING.

2. MATERIAL:
 INSULATOR: THERMOPLASTIC, GLASS REINFORCED, UL 94V-0 FLAMMABILITY RATED, COLOR: BLACK
 RETENTION CLIP: BERYLLIUM COPPER OR STAINLESS STEEL

3. ITEMS PROVIDED TO THIS SPECIFICATION TO BE PERMANENTLY IDENTIFIED PER THE FOLLOWING IDENTIFIER:

TYCO PART NUMBER
 XXXXXXXX-X

YEAR WEEK
 DATE CODE (e.g. 0216)
 XXXX

QTY	PART NUMBER	DESCRIPTION	ITEM
6	1650489-1	CLIP, RETENTION, #12	E
32	1650484-1	CLIP, RETENTION, #20	D
2	1650485-1	CLIP, RETENTION, #4	C
1	1648636-1	HOUSING, SOCKET, REAR	B
1	1648633-1	HOUSING, SOCKET, FRONT	A

DIMENSIONS: INCHES 		TOLERANCES UNLESS OTHERWISE SPECIFIED: 0 PLC ± 1 PLC ± 2 PLC ±.01 3 PLC ±.006 4 PLC ± ANGLES ± FINISH ±		DWN R. GRZYBOWSKI 26APR07 CHK D. ORRIS 26APR07 APVD S. FLICKINGER 26APR07 PRODUCT SPEC - APPLICATION SPEC - WEIGHT - CUSTOMER DRAWING		tyco Tyco Electronics Harrisburg, PA 17105-3608 NAME CONNECTOR, SOCKET FLOAT MOUNT 125A MIDDLE DRAWER SIZE A2 CAGE CODE 00779 DRAWING NO. 1648156 RESTRICTED TO - SCALE 3:1 SHEET 1 OF 1 REV A	
---------------------------	--	--	--	---	--	---	--

ELCON MIDDLE DRAWER

单击下面可查看定价，库存，交付和生命周期等信息

[>>TE Connectivity\(泰科\)](#)