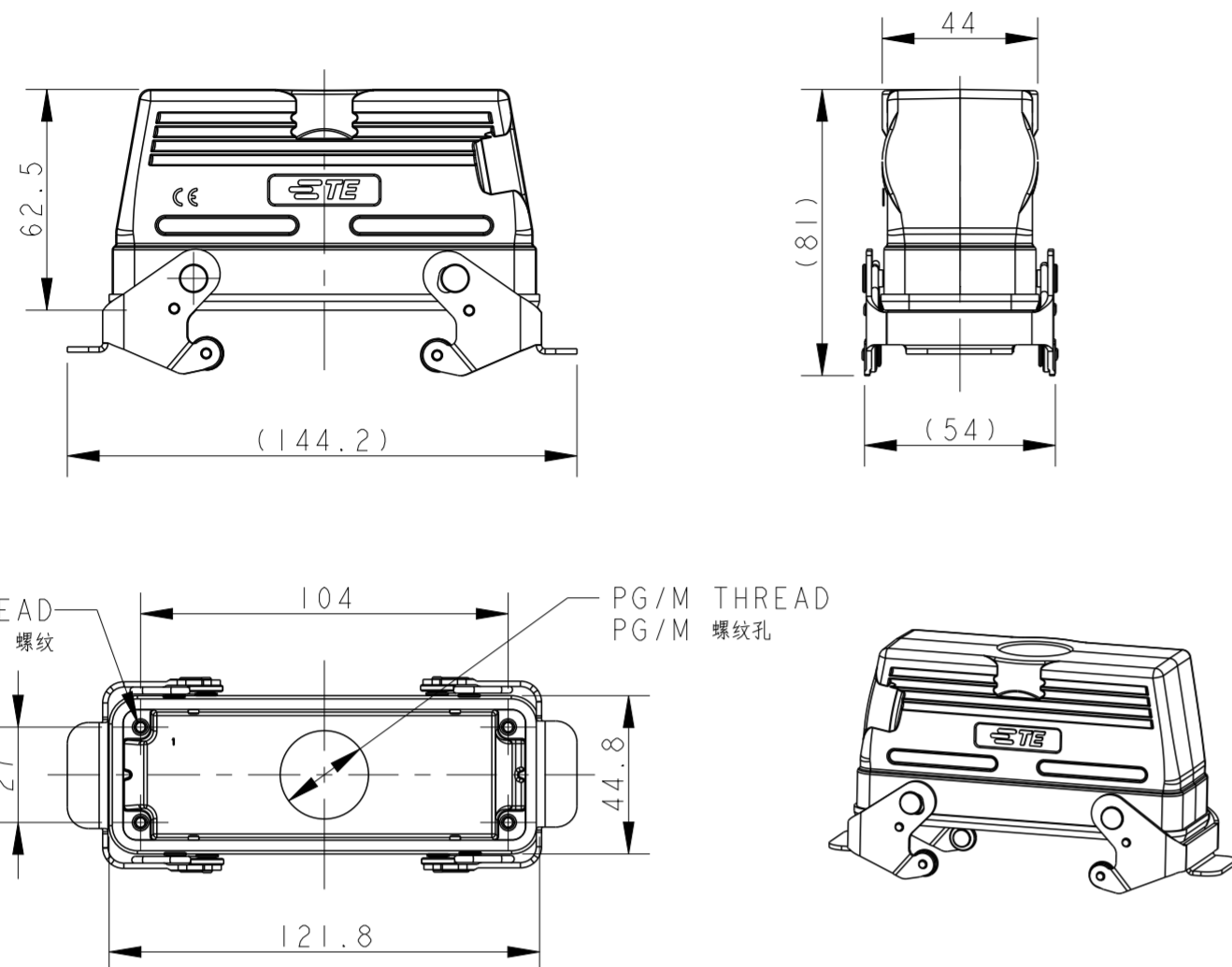
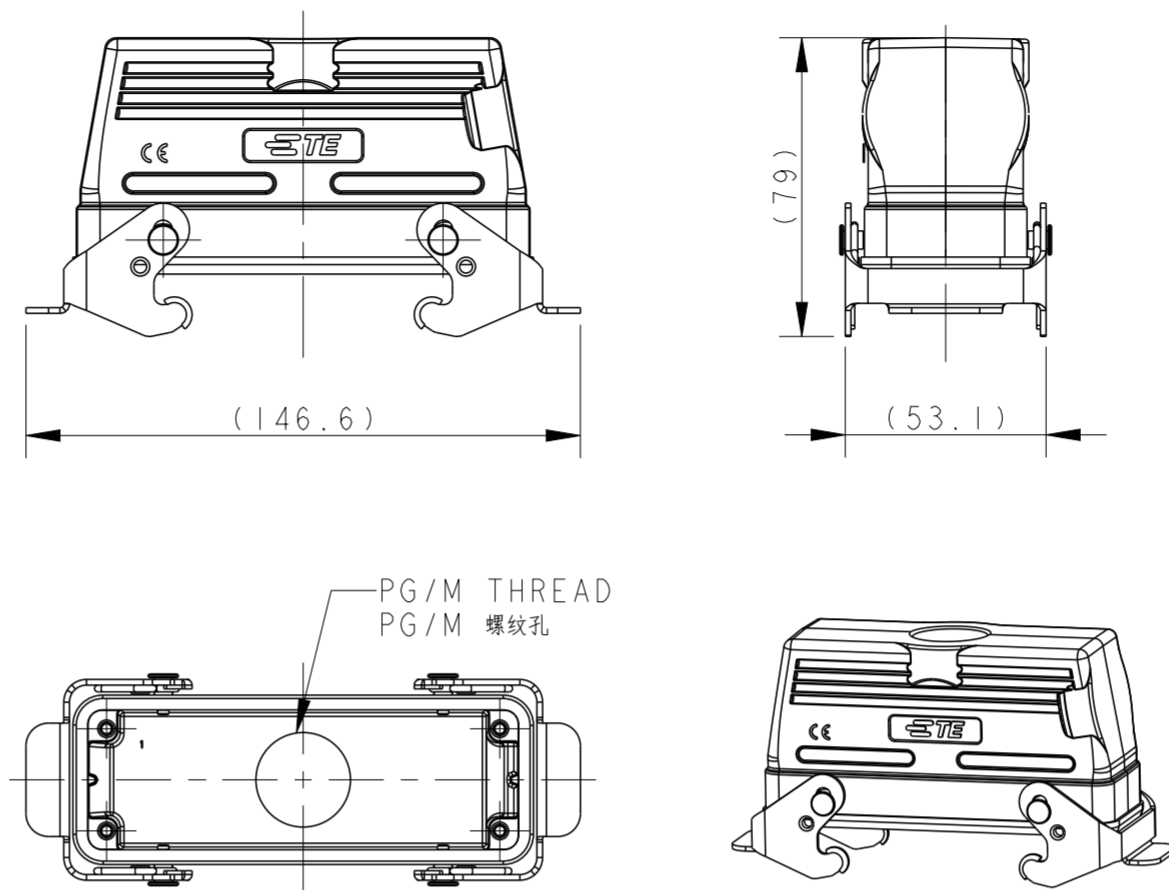


THIS DRAWING IS UNPUBLISHED. RELEASED FOR PUBLICATION 20  
 © COPYRIGHT 20 BY - ALL RIGHTS RESERVED.

TYPE 1: LOW CONSTRUCTION + STAINLESS STEEL DOUBLE LOCKING  
 类型1: 低结构壳体+不锈钢双扣



TYPE 2: LOW CONSTRUCTION + METAL DOUBLE LOCKING  
 OTHER SPEC REFER TO TYPE 1  
 类型2: 低结构壳体+彩锌双扣, 其他规格参照类型1

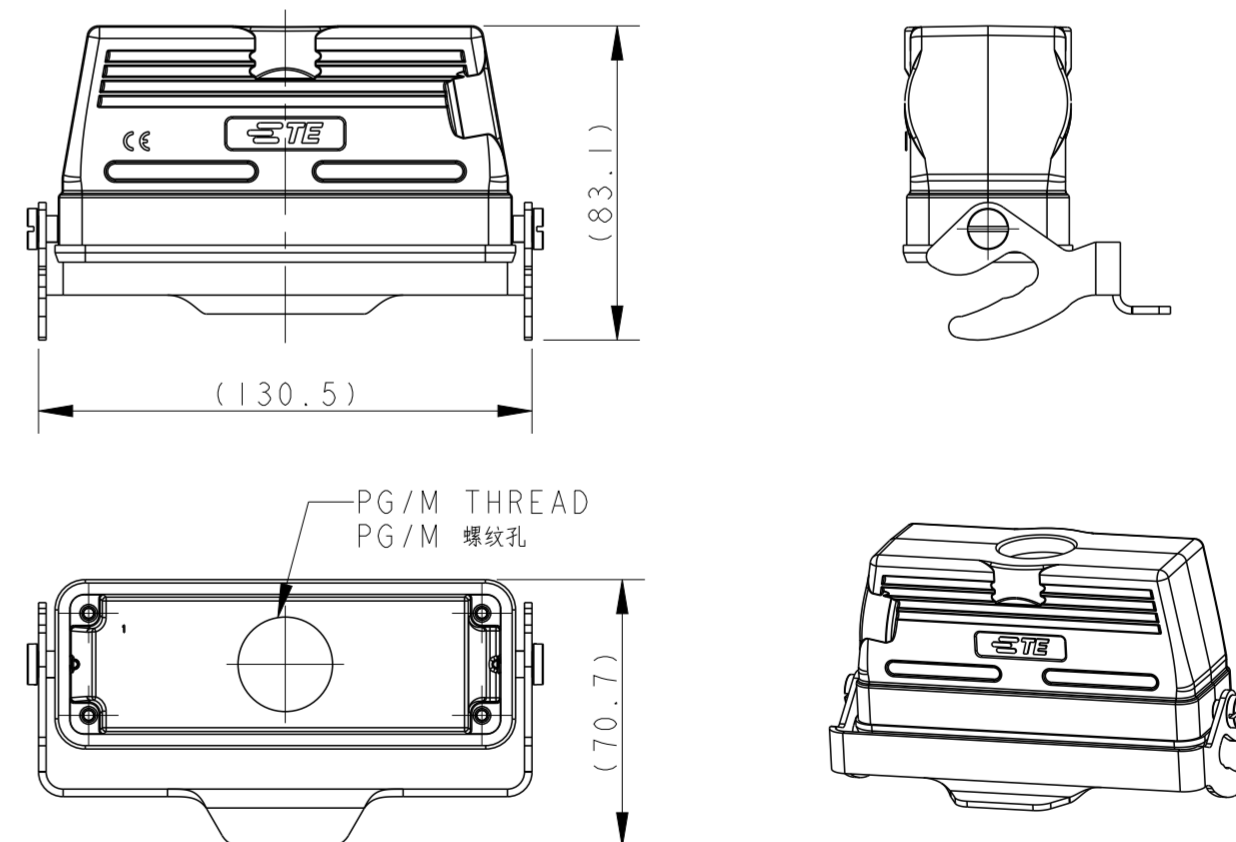


| REVISIONS |     |                 |           |        |
|-----------|-----|-----------------|-----------|--------|
| P         | LTR | DESCRIPTION     | DATE      | APVD   |
| A         |     | INITIAL RELEASE | 03JUL2015 | DL CW  |
| AI        |     | ECR-16-013642   | 09MAY2017 | BS CW  |
| B         |     | ECR-20-014876   | 27JUL2021 | WOR CW |
| BI        |     | ECR-22-137196   | 28APR2022 | QY CW  |

NOTES:  
 1. TECHNICAL CHARACTERISTICS:  
 BODY MATERIAL: DIE CAST ALUMINIUM ALLOY  
 SURFACE TREATMENT: POWDER COATED, GREY  
 DEGREE OF PROTECTION: IP65 (MATED)

注释:  
 1. 技术参数:  
 主体材料: 铝合金  
 表面处理: 灰色粉末喷涂  
 防护等级: IP65(配合)

TYPE 3: LOW CONSTRUCTION + METAL SINGLE LOCKING  
 OTHER SPEC REFER TO TYPE 1  
 类型3: 低结构壳体+彩锌单扣, 其他规格参照类型1



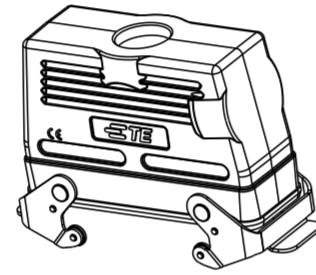
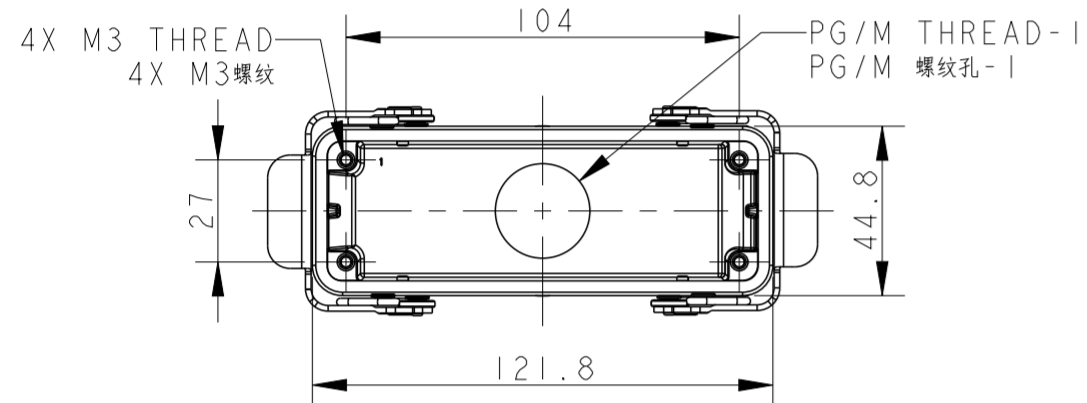
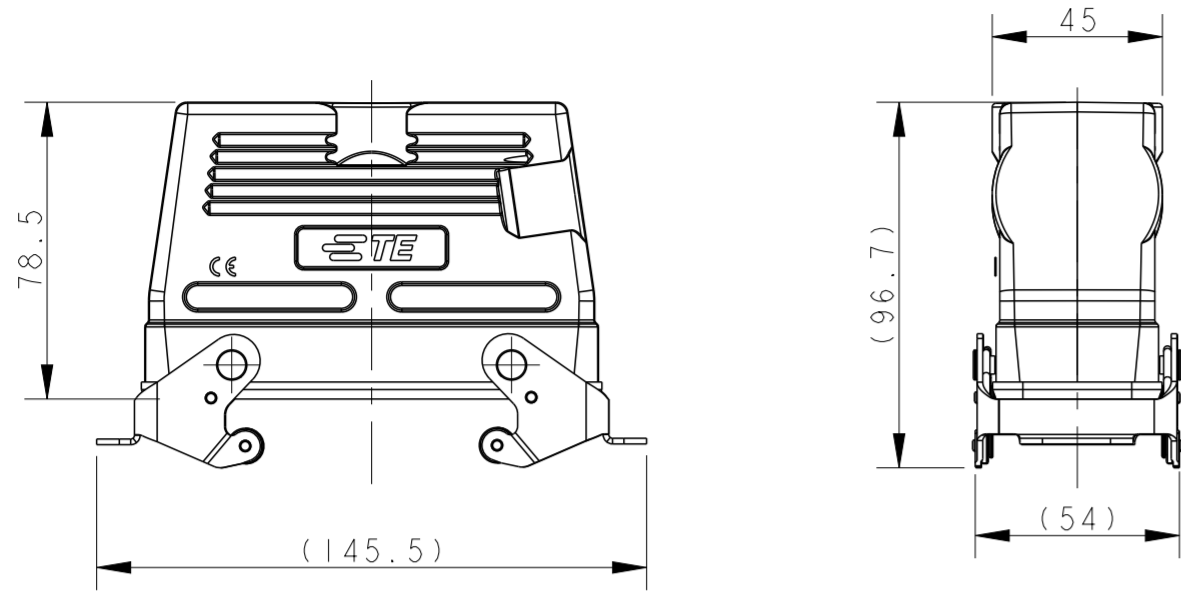
| PART NUMBER<br>料号 | PART DESCRIPTION<br>描述  | PG/M THREAD<br>PG/M 螺纹孔 | TYPE<br>类型     |
|-------------------|---|-------------------------|----------------|
| T1710241121-000   | H24B HOUSING, CABLE-TO-CABLE, STAINLESS STEEL DOUBEL LOCKING, TOP ENTRY PG21, LOW CONSTRUCTION, POWDER COATED, GRAY<br>H24B下壳, 电缆对接, 不锈钢双扣, 顶出PG21, 低结构, 灰色粉末喷涂             | PG21                    | TYPE 1<br>类型 1 |
| T1710241125-000   | H24B HOUSING, CABLE-TO-CABLE, STAINLESS STEEL DOUBEL LOCKING, TOP ENTRY M25, LOW CONSTRUCTION, POWDER COATED, GRAY<br>H24B下壳, 电缆对接, 不锈钢双扣, 顶出M25, 低结构, 灰色粉末喷涂               | M25                     |                |
| T1710241132-000   | H24B HOUSING, CABLE-TO-CABLE, STAINLESS STEEL DOUBEL LOCKING, TOP ENTRY M32, LOW CONSTRUCTION, POWDER COATED, GRAY<br>H24B下壳, 电缆对接, 不锈钢双扣, 顶出M32, 低结构, 灰色粉末喷涂               | M32                     |                |
| T1710241132-100   | H24B HOUSING, CABLE-TO-CABLE, STAINLESS STEEL DOUBEL LOCKING, TOP ENTRY M32, LOW CONSTRUCTION, NO LOGO, POWDER COATED, GRAY<br>H24B下壳, 电缆对接, 不锈钢双扣, 顶出M32, 低结构, 无标志, 灰色粉末喷涂 | M32                     |                |
| T1710242121-000   | H24B HOUSING, CABLE-TO-CABLE, METAL DOUBLE LOCKING, TOP ENTRY PG21, LOW CONSTRUCTION, POWDER COATED, GRAY<br>H24B下壳, 电缆对接, 彩锌双扣, 顶出PG21, 低结构, 灰色粉末喷涂                        | PG21                    | TYPE 2<br>类型 2 |
| T1710242125-000   | H24B HOUSING, CABLE-TO-CABLE, METAL DOUBLE LOCKING, TOP ENTRY M25, LOW CONSTRUCTION, POWDER COATED, GRAY<br>H24B下壳, 电缆对接, 彩锌双扣, 顶出M25, 低结构, 灰色粉末喷涂                          | M25                     |                |
| T1710242129-000   | H24B HOUSING, CABLE-TO-CABLE, METAL DOUBLE LOCKING, TOP ENTRY PG29, LOW CONSTRUCTION, POWDER COATED, GRAY<br>H24B下壳, 电缆对接, 彩锌双扣, 顶出PG29, 低结构, 灰色粉末喷涂                        | PG29                    |                |
| T1710242132-000   | H24B HOUSING, CABLE-TO-CABLE, METAL DOUBLE LOCKING, TOP ENTRY M32, LOW CONSTRUCTION, POWDER COATED, GRAY<br>H24B下壳, 电缆对接, 彩锌双扣, 顶出M32, 低结构, 灰色粉末喷涂                          | M32                     |                |
| T1710242134-000   | H24B HOUSING, CABLE-TO-CABLE, METAL DOUBLE LOCKING, TOP ENTRY G3/4, LOW CONSTRUCTION, POWDER COATED, GRAY<br>H24B下壳, 电缆对接, 彩锌双扣, 顶出G3/4, 低结构, 灰色粉末喷涂                        | G3/4                    | TYPE 3<br>类型 3 |
| T1730242121-000   | H24B HOUSING, CABLE-TO-CABLE, METAL SINGLE LOCKING, TOP ENTRY PG21, LOW CONSTRUCTION, POWDER COATED, GRAY<br>H24B下壳, 电缆对接, 彩锌单扣, 顶出PG21, 低结构, 灰色粉末喷涂                        | PG21                    |                |
| T1730242125-000   | H24B HOUSING, CABLE-TO-CABLE, METAL SINGLE LOCKING, TOP ENTRY M25, LOW CONSTRUCTION, POWDER COATED, GRAY<br>H24B下壳, 电缆对接, 彩锌单扣, 顶出M25, 低结构, 灰色粉末喷涂                          | M25                     |                |
| T1730242132-000   | H24B HOUSING, CABLE-TO-CABLE, METAL SINGLE LOCKING, TOP ENTRY M32, LOW CONSTRUCTION, POWDER COATED, GRAY<br>H24B下壳, 电缆对接, 彩锌单扣, 顶出M32, 低结构, 灰色粉末喷涂                          | M32                     |                |

THIS DRAWING IS A CONTROLLED DOCUMENT.

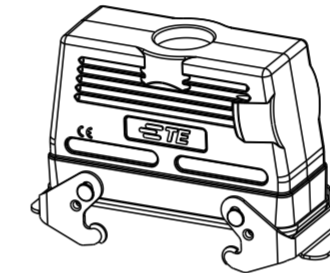
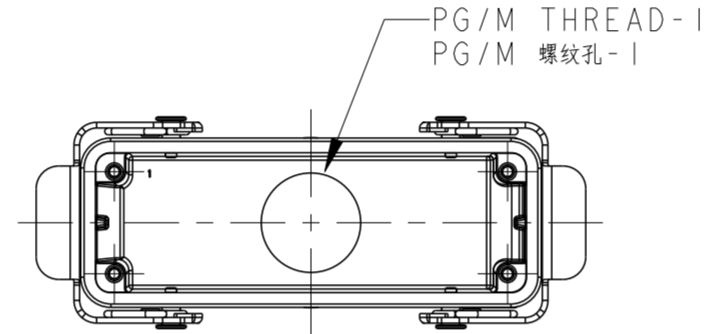
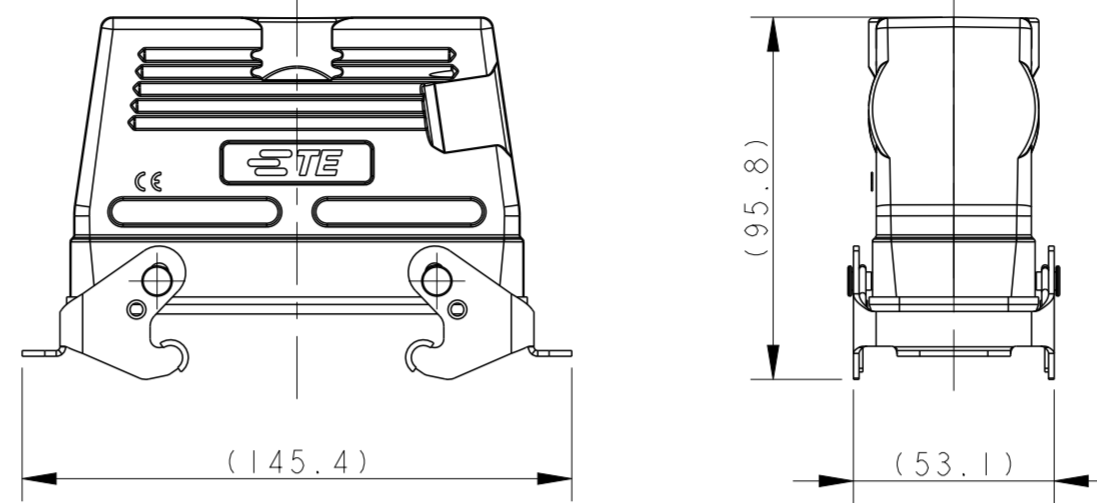
|                          |                                |
|--------------------------|--------------------------------|
| DWN DAVID LI 03JUL2015   | TE Connectivity                |
| CHK CHRIS WANG 03JUL2015 |                                |
| APVD XU XIANG 03JUL2015  |                                |
| PRODUCT SPEC             |                                |
| 108-137013               | NAME H24B-TBFS/TBF-LB/TBF-PG/M |
| APPLICATION SPEC         | SIZE A2                        |
| 114-137013               | CAGE CODE -                    |
| WEIGHT -                 | DRAWING NO. C-T17X024XXXX000   |
| CUSTOMER DRAWING         | RESTRICTED TO                  |
| SCALE 1:2                | SHEET 1 OF 3                   |
| REV B1                   |                                |

THIS DRAWING IS UNPUBLISHED. RELEASED FOR PUBLICATION 20  
 © COPYRIGHT 20 BY - ALL RIGHTS RESERVED.

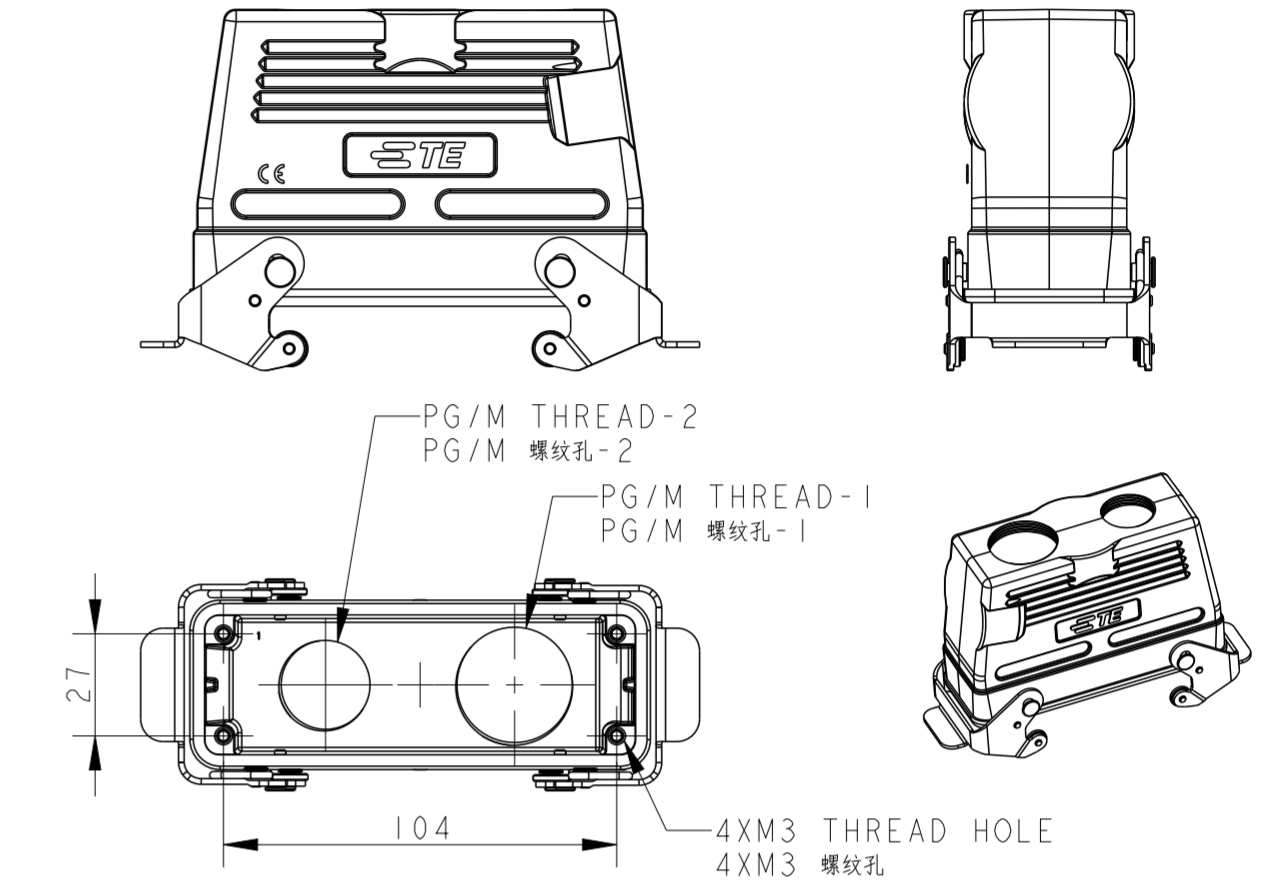
**TYPE 4: HIGH CONSTRUCTION + STAINLESS STEEL DOUBLE LOCKING**  
 类型4: 高结构壳体+不锈钢双扣



**TYPE 5: HIGH CONSTRUCTION + METAL DOUBLE LOCKING**  
 OTHER SPEC REFER TO TYPE 4  
 类型5: 高结构壳体+彩锌双扣, 其他规格参照类型4

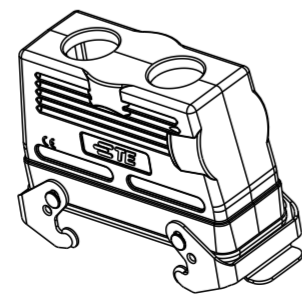
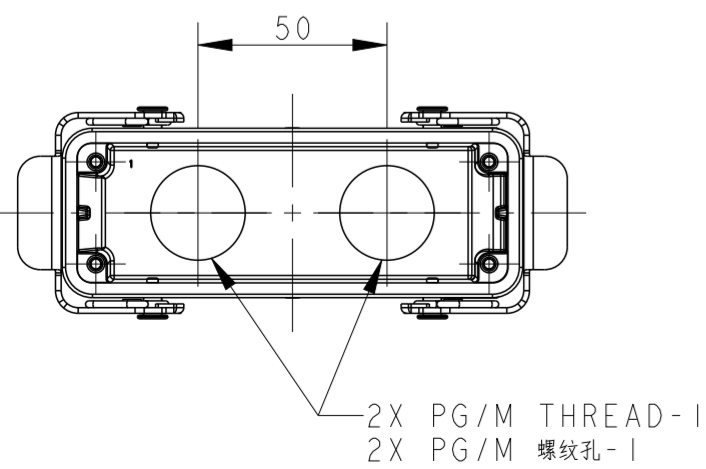
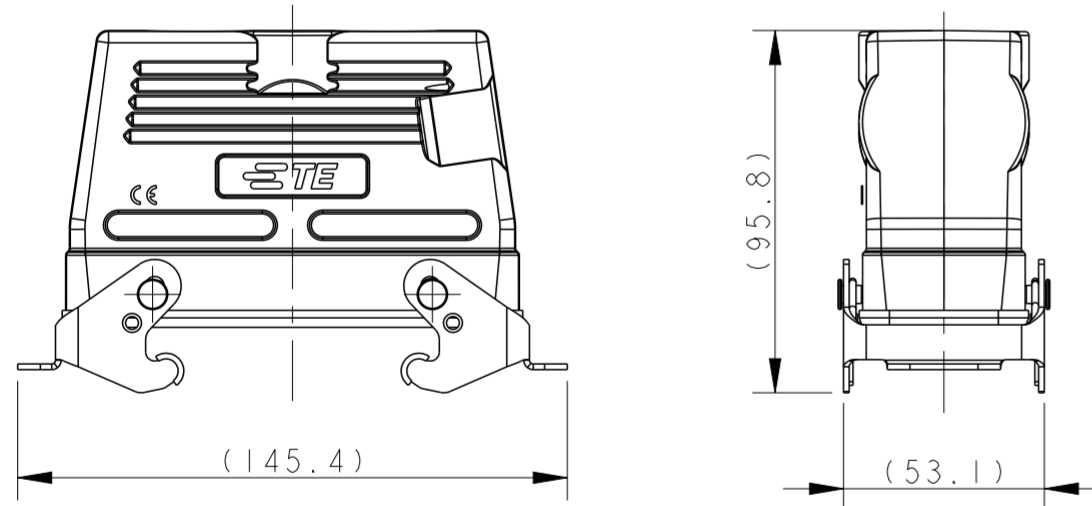


**TYPE 8: HIGH CONSTRUCTION + STAINLESS STEEL DOUBLE LOCKING + TOP ENTRY+2 HOLE, OTHER SPEC REFER TO TYPE 4**  
 类型8: 高结构壳体+不锈钢双扣+顶出+2个进线孔, 其他规格参照类型4

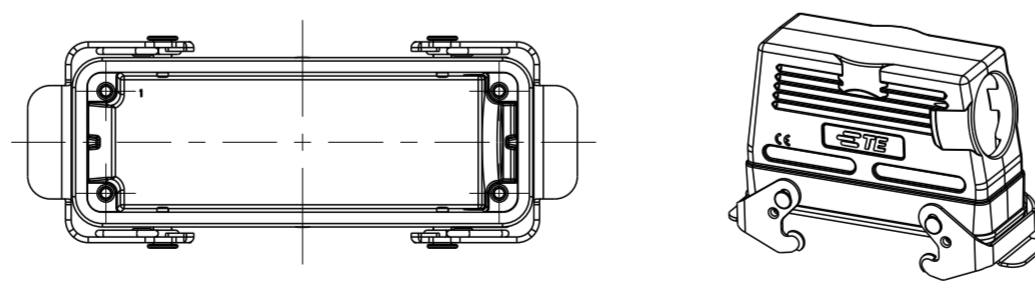
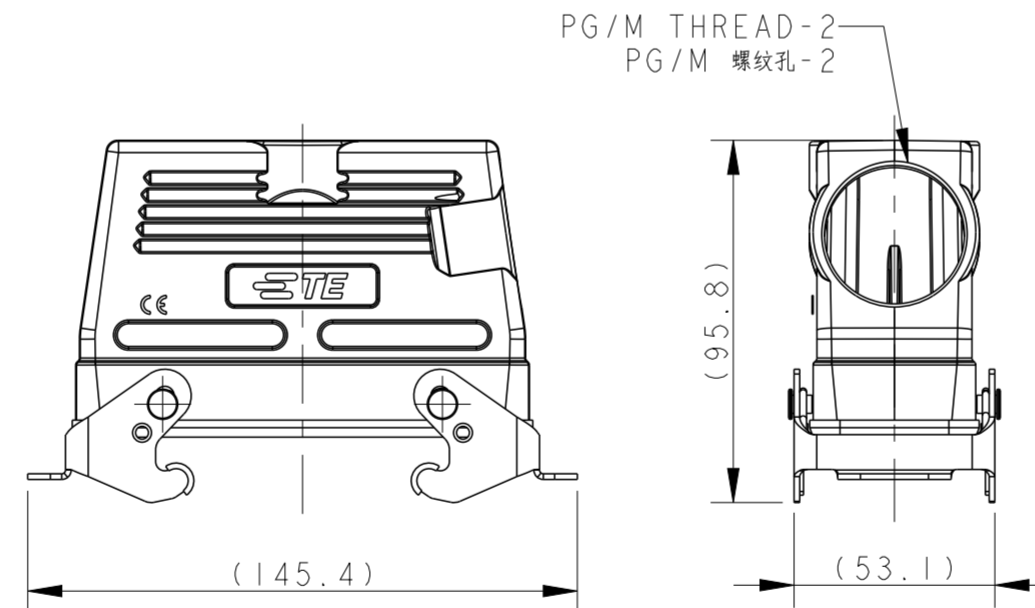


NOTE:  
SEE SHEET 1

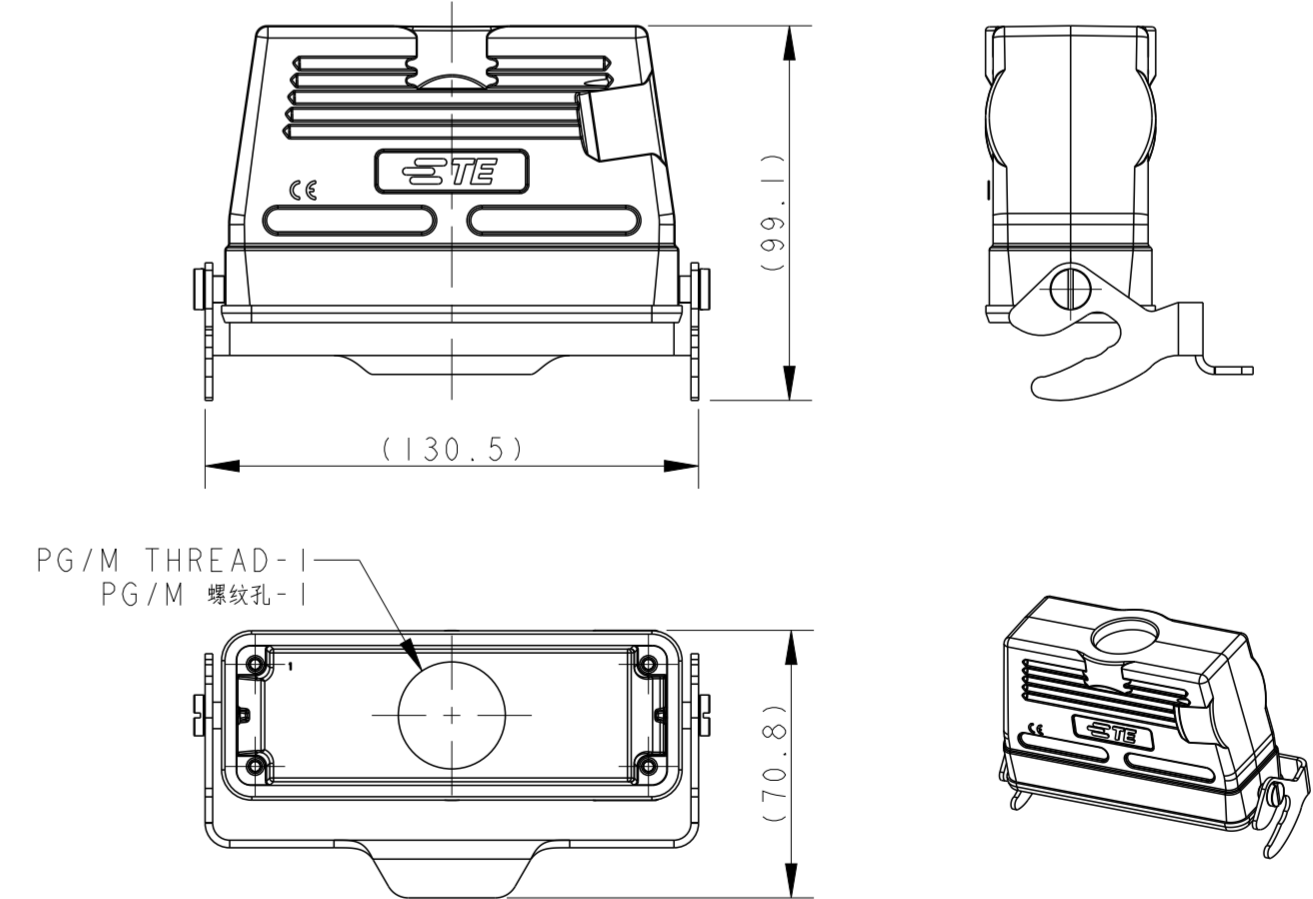
**TYPE 6: HIGH CONSTRUCTION + METAL DOUBLE LOCKING + TOP ENTRY+2 HOLE, OTHER SPEC REFER TO TYPE 4**  
 类型6: 高结构壳体+彩锌双扣+顶出+2个进线孔, 其他规格参照类型4



**TYPE 7: HIGH CONSTRUCTION + METAL DOUBLE LOCKING + SIDE ENTRY, OTHER SPEC REFER TO TYPE 4**  
 类型7: 高结构壳体+彩锌双扣+侧出进线孔, 其他规格参照类型4



**TYPE 9: HIGH CONSTRUCTION + METAL SINGLE LOCKING, OTHER SPEC REFER TO TYPE 4**  
 类型9: 高结构壳体+彩锌单扣, 其他规格参照类型4



| REVISIONS |     |             |      |      |
|-----------|-----|-------------|------|------|
| P         | LTR | DESCRIPTION | DATE | APVD |
| -         | -   | SEE SHEET 1 | -    | -    |

|  |   |                          |                                |  |
|--|---|--------------------------|--------------------------------|--|
| THIS DRAWING IS A CONTROLLED DOCUMENT. |   | DWN DAVID LI 03JUL2015   | TE Connectivity                |  |
| DIMENSIONS: mm                         |   | CHK CHRIS WANG 03JUL2015 |                                |  |
| TOLERANCES UNLESS OTHERWISE SPECIFIED: |   | APVD XU XIANG 03JUL2015  | NAME H24B-TBFS/TBF-LB/TBF-PG/M |  |
| 0 PLC                                  | ± | PRODUCT SPEC             | SIZE A2                        |  |
| 1 PLC                                  | ± | 108-137013               | CAGE CODE -                    |  |
| 2 PLC                                  | ± | APPLICATION SPEC         | DRAWING NO G-T17X024XXXX000    |  |
| 3 PLC                                  | ± | 114-137013               | RESTRICTED TO                  |  |
| 4 PLC                                  | ± | WEIGHT -                 | SCALE 1:2                      |  |
| ANGLES                                 | ± | CUSTOMER DRAWING         | SHEET 2 OF 3                   |  |
| FINISH                                 | - |                          | REV B1                         |  |

THIS DRAWING IS UNPUBLISHED. RELEASED FOR PUBLICATION 20  
 © COPYRIGHT 20 BY - ALL RIGHTS RESERVED.

| REVISIONS |     |             |      |      |
|-----------|-----|-------------|------|------|
| P         | LTR | DESCRIPTION | DATE | APVD |
| -         |     | SEE SHEET 1 | -    | -    |
|           |     |             |      |      |
|           |     |             |      |      |

NOTE:  
SEE SHEET 1

| PART NUMBER<br>料号 | PART DESCRIPTION<br>描述   | PG/M THREAD-1<br>PG/M 螺纹孔-1 | PG/M THREAD-2<br>PG/M 螺纹孔-2 | TYPE<br>类型     |
|-------------------|--|-----------------------------|-----------------------------|----------------|
| TI750241121-000   | H24B HOUSING, CABLE-TO-CABLE, STAINLESS STEEL DOUBEL LOCKING, TOP ENTRY PG21, HIGH CONSTRUCTION, POWDER COATED, GRAY<br>H24B下壳, 电缆对接, 不锈钢双扣, 顶出PG21, 高结构, 灰色粉末喷涂       | PG21                        | -                           | TYPE 4<br>类型 4 |
| TI750241125-000   | H24B HOUSING, CABLE-TO-CABLE, STAINLESS STEEL DOUBEL LOCKING, TOP ENTRY M25, HIGH CONSTRUCTION, POWDER COATED, GRAY<br>H24B下壳, 电缆对接, 不锈钢双扣, 顶出M25, 高结构, 灰色粉末喷涂         | M25                         | -                           |                |
| TI750241129-000   | H24B HOUSING, CABLE-TO-CABLE, STAINLESS STEEL DOUBEL LOCKING, TOP ENTRY PG29, HIGH CONSTRUCTION, POWDER COATED, GRAY<br>H24B下壳, 电缆对接, 不锈钢双扣, 顶出PG29, 高结构, 灰色粉末喷涂       | PG29                        | -                           |                |
| TI750241132-000   | HH24B HOUSING, CABLE-TO-CABLE, STAINLESS STEEL DOUBEL LOCKING, TOP ENTRY M32, HIGH CONSTRUCTION, POWDER COATED, GRAY<br>H24B下壳, 电缆对接, 不锈钢双扣, 顶出M32, 高结构, 灰色粉末喷涂        | M32                         | -                           |                |
| TI750242121-000   | H24B HOUSING, CABLE-TO-CABLE, METAL DOUBLE LOCKING, TOP ENTRY PG21, HIGH CONSTRUCTION, POWDER COATED, GRAY<br>H24B下壳, 电缆对接, 彩锌双扣, 顶出PG21, 高结构, 灰色粉末喷涂                  | PG21                        | -                           | TYPE 5<br>类型 5 |
| TI750242125-000   | H24B HOUSING, CABLE-TO-CABLE, METAL DOUBLE LOCKING, TOP ENTRY M25, HIGH CONSTRUCTION, POWDER COATED, GRAY<br>H24B下壳, 电缆对接, 彩锌双扣, 顶出M25, 高结构, 灰色粉末喷涂                    | M25                         | -                           |                |
| TI750242129-000   | H24B HOUSING, CABLE-TO-CABLE, METAL DOUBLE LOCKING, TOP ENTRY PG29, HIGH CONSTRUCTION, POWDER COATED, GRAY<br>H24B下壳, 电缆对接, 彩锌双扣, 顶出PG29, 高结构, 灰色粉末喷涂                  | PG29                        | -                           |                |
| TI750242132-000   | H24B HOUSING, CABLE-TO-CABLE, METAL DOUBLE LOCKING, TOP ENTRY M32, HIGH CONSTRUCTION, POWDER COATED, GRAY<br>H24B下壳, 电缆对接, 彩锌双扣, 顶出M32, 高结构, 灰色粉末喷涂                    | M32                         | -                           |                |
| TI750242140-000   | H24B HOUSING, CABLE-TO-CABLE, METAL DOUBLE LOCKING, TOP ENTRY M40, HIGH CONSTRUCTION, POWDER COATED, GRAY<br>H24B下壳, 电缆对接, 彩锌双扣, 顶出M40, 高结构, 灰色粉末喷涂                    | M40                         | -                           | TYPE 6<br>类型 6 |
| TI750242221-000   | H24B HOUSING, CABLE-TO-CABLE, METAL DOUBLE LOCKING, TOP ENTRY 2PG21, HIGH CONSTRUCTION, POWDER COATED, GRAY<br>H24B下壳, 电缆对接, 彩锌双扣, 顶出2PG21, 高结构, 灰色粉末喷涂                | 2X PG21                     | -                           |                |
| TI750242225-000   | H24B HOUSING, CABLE-TO-CABLE, METAL DOUBLE LOCKING, TOP ENTRY 2M25, HIGH CONSTRUCTION, POWDER COATED, GRAY<br>H24B下壳, 电缆对接, 彩锌双扣, 顶出2M25, 高结构, 灰色粉末喷涂                  | 2X M25                      | -                           | TYPE 7<br>类型 7 |
| TI790242129-000   | H24B HOUSING, CABLE-TO-CABLE, METAL DOUBLE LOCKING, SIDE ENTRY PG29, HIGH CONSTRUCTION, POWDER COATED, GRAY<br>H24B下壳, 电缆对接, 彩锌双扣, 侧出PG29, 高结构, 灰色粉末喷涂                 | -                           | PG29                        |                |
| TI790243225-000   | H24B HOUSING, CABLE-TO-CABLE, STAINLESS STEEL DOUBLE LOCKING, TOP ENTRY M32/M25, HIGH CONSTRUCTION, POWDER COATED, GRAY<br>H24B下壳, 电缆对接, 不锈钢双扣, 顶出M32/M25, 高结构, 灰色粉末喷涂 | M32                         | M25                         | TYPE 8<br>类型 8 |
| TI770243121-000   | H24B HOUSING, CABLE-TO-CABLE, METAL SINGLE LOCKING, TOP ENTRY PG21, HIGH CONSTRUCTION, POWDER COATED, GRAY<br>H24B下壳, 电缆对接, 彩锌单扣, 顶出PG21, 高结构, 灰色粉末喷涂                  | PG21                        | -                           | TYPE 9<br>类型 9 |
| TI770243129-000   | H24B HOUSING, CABLE-TO-CABLE, METAL SINGLE LOCKING, TOP ENTRY PG29, HIGH CONSTRUCTION, POWDER COATED, GRAY<br>H24B下壳, 电缆对接, 彩锌单扣, 顶出PG29, 高结构, 灰色粉末喷涂                  | PG29                        | -                           |                |
| TI770243132-000   | H24B HOUSING, CABLE-TO-CABLE, METAL SINGLE LOCKING, TOP ENTRY M32, HIGH CONSTRUCTION, POWDER COATED, GRAY<br>H24B下壳, 电缆对接, 彩锌单扣, 顶出M32, 高结构, 灰色粉末喷涂                    | M32                         | -                           |                |

|  |  |                             |                                |              |
|--|--|-----------------------------|--------------------------------|--------------|
| THIS DRAWING IS A CONTROLLED DOCUMENT. |  | DWN DAVID LI 03JUL2015      | <b>STE</b> TE Connectivity     |              |
|  |  | CHK CHRIS WANG 03JUL2015    |                                |              |
| DIMENSIONS: mm                         |  | APVD XU XIANG 03JUL2015     | NAME H24B-TBFS/TBF-LB/TBF-PG/M |              |
| TOLERANCES UNLESS OTHERWISE SPECIFIED: |  | PRODUCT SPEC 108-137013     | RESTRICTED TO                  |              |
| 0 PLC ±-                               |  | APPLICATION SPEC 114-137013 | SIZE A2                        | CAGE CODE -  |
| 1 PLC ±-                               |  | WEIGHT -                    | DRAWING NO. C-T17X024XXXX000   |              |
| 2 PLC ±-                               |  | CUSTOMER DRAWING            | SCALE 1:2                      | SHEET 3 OF 3 |
| 3 PLC ±-                               |  |                             | REV B1                         |              |
| 4 PLC ±-                               |  |                             |                                |              |
| ANGLES ±-                              |  |                             |                                |              |
| FINISH -                               |  |                             |                                |              |
| MATERIAL TBD                           |  |                             |                                |              |

单击下面可查看定价，库存，交付和生命周期等信息

[>>TE Connectivity\(泰科\)](#)