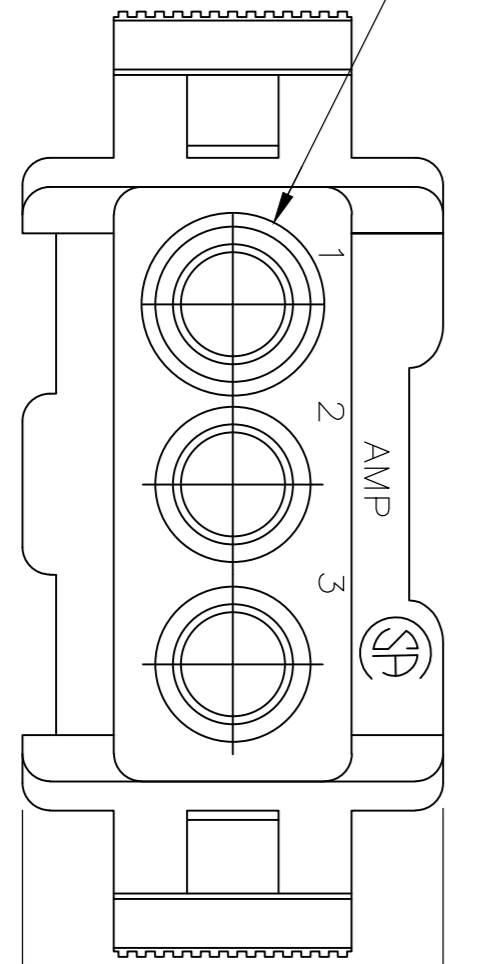


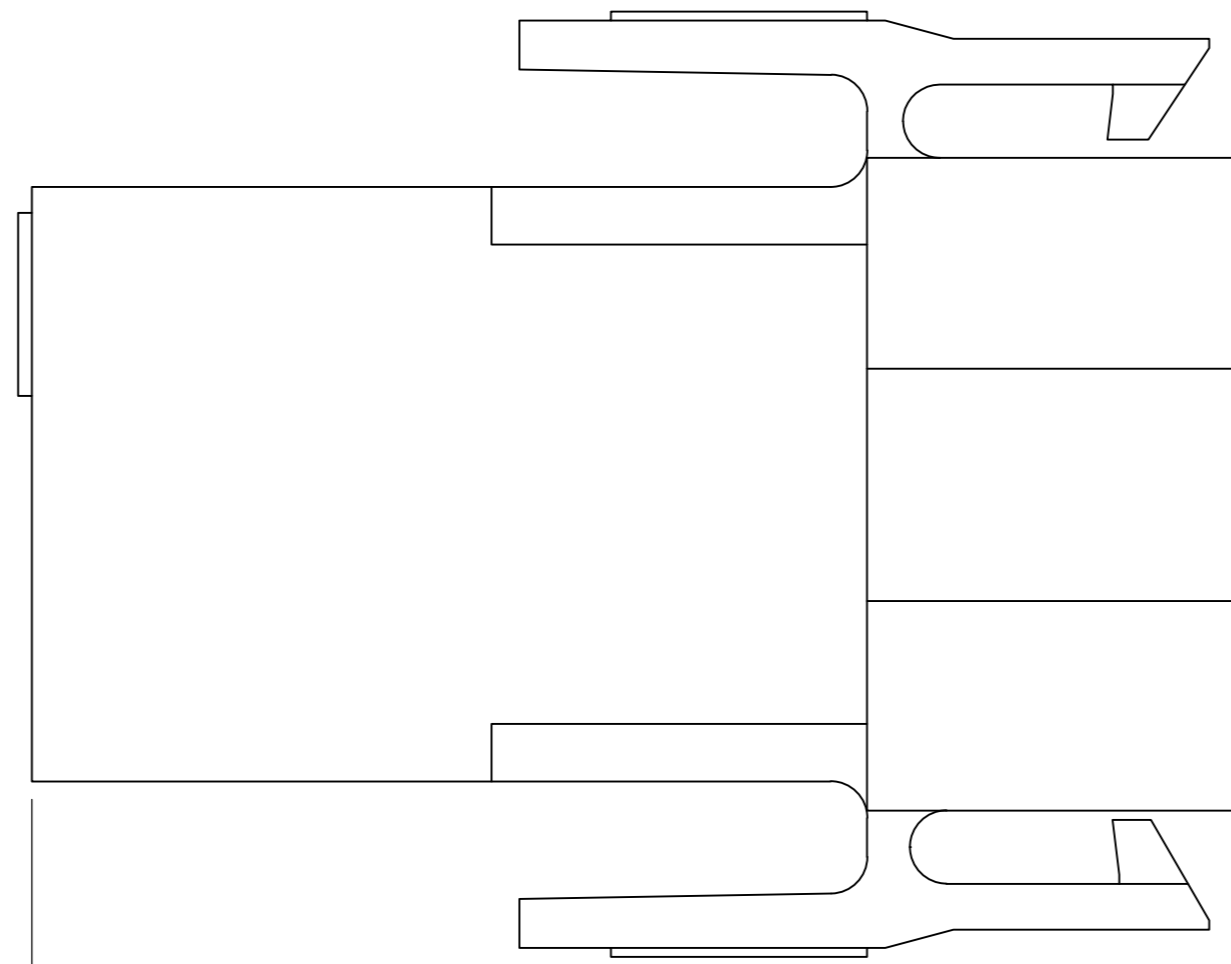
THIS DRAWING IS UNPUBLISHED. RELEASED FOR PUBLICATION
 © COPYRIGHT - By - ALL RIGHTS RESERVED.

REVISIONS					
P	LTR	DESCRIPTION	DATE	DWN	APVD
H		REVISED PER ECO-20-001558	05FEB2020	SG	MZ

RAISED CAVITY IDENTIFICATION
ON REAR FACE ONLY.

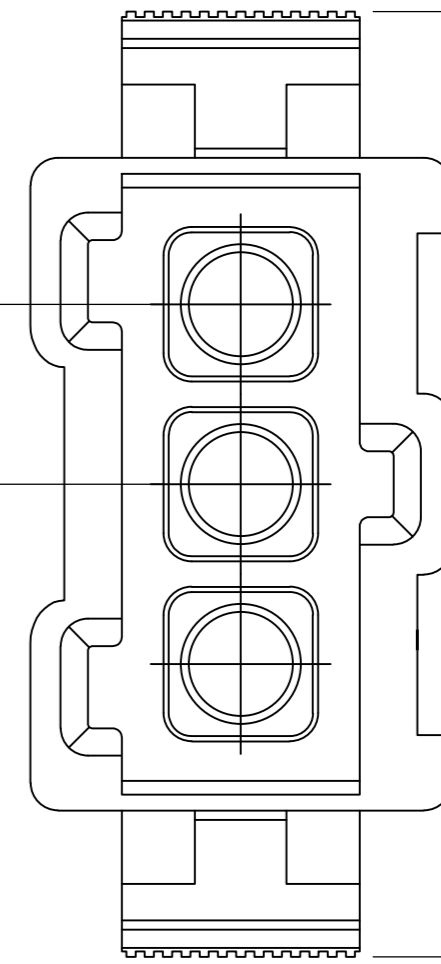


12.32 MAX
[.485]



33.70±0.50
[1.327±.020]

5.00
[.197]
TYP



26.25±0.50
[1.034±.020]

- ① ROUNDED EDGES ON THE OUTSIDE AND CHAMFERS BY THE LOCKING LATCHES, REF 928094.
- ② OBSOLETE PARTS: OBSOLETE CIS STREAMLINING PER D.RENAUD/D.SINISI
- ③ HOUSING MATERIAL: PA66, BLACK, UL 94 V-0 RATED.

② OBSOLETE	① 207359-2-
	207359-1
PART NUMBER	

THIS DRAWING IS A CONTROLLED DOCUMENT.		DWN J.GALLUCI 14 AUG 91	STE TE Connectivity		
DIMENSIONS: mm [INCHES]		CHK J.McCLINTON 23 SEP 91			
TOLERANCES UNLESS OTHERWISE SPECIFIED:		APVD A.TRAVIS 23 SEP 91	NAME HOUSING, RECEPTACLE, 3 POSITION, IN-LINE, FREE HANGING, METRIMATE		
0 PLC ± -		PRODUCT SPEC 108-10033	SIZE A2	CAGE CODE 00779	DRAWING NO C=207359
1 PLC ± -		APPLICATION SPEC	RESTRICTED TO		
2 PLC ± 0.25 [.010]			SCALE 4:1		
3 PLC ± -			SHEET 1 of 1		
4 PLC ± -			REV H		
ANGLES ± -					
FINISH		WEIGHT -			
③		CUSTOMER DRAWING			

单击下面可查看定价，库存，交付和生命周期等信息

[>>TE Connectivity\(泰科\)](#)