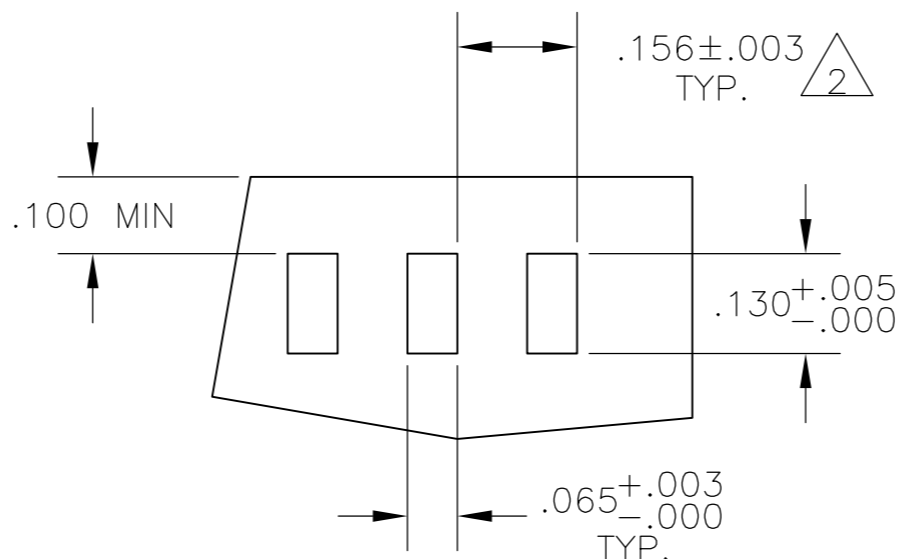
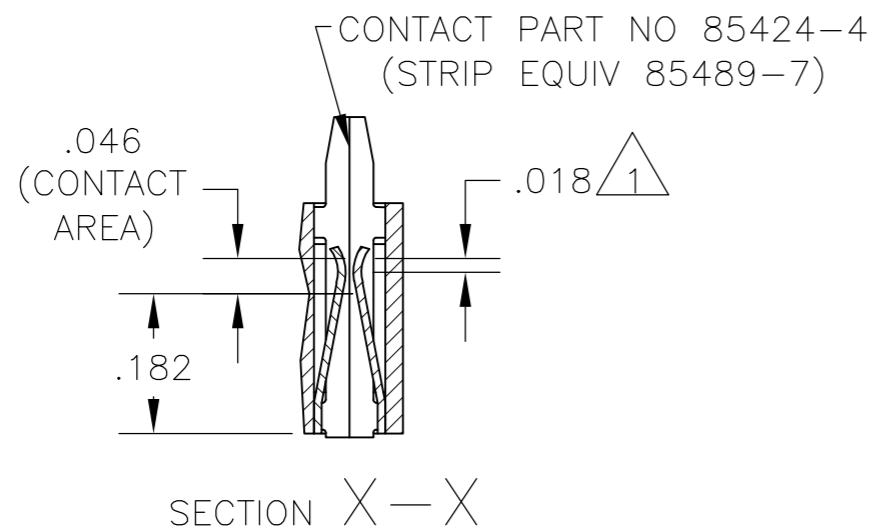


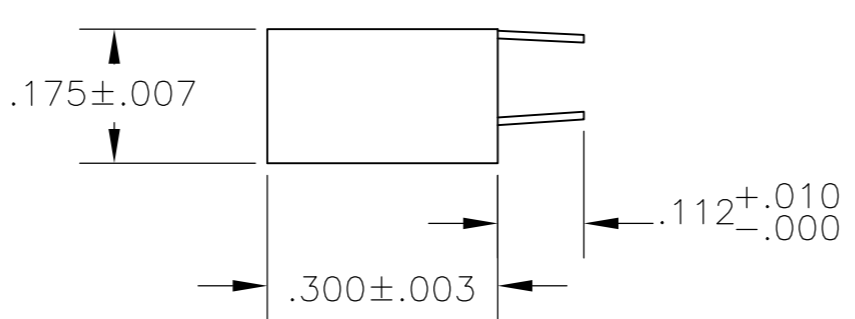
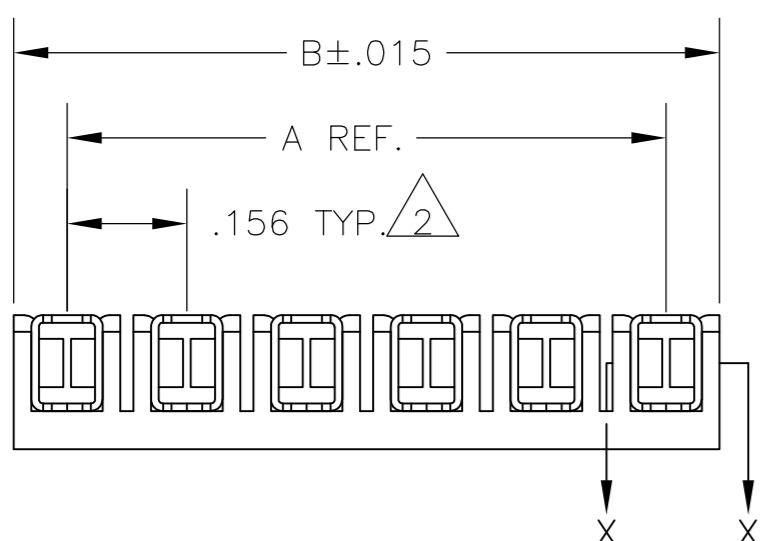
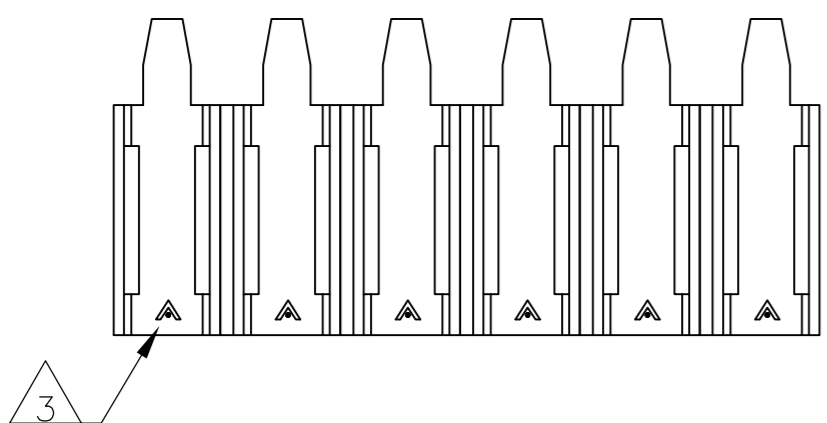
THIS DRAWING IS UNPUBLISHED. RELEASED FOR PUBLICATION - .19
 © COPYRIGHT BY TYCO ELECTRONICS CORPORATION. ALL RIGHTS RESERVED.

LOC	DIST	REVISIONS					
AD	OO	P	LTR	DESCRIPTION	DATE	DWN	APVD
		K1		REVISED PER ECO-10-000443	11JAN10	KK	AEG



RECOMMENDED BOARD MOUNTING
 (RECOMMENDED BOARD THICKNESS: .055-.070)

- NOTES:
- 1 POINT OF MEASUREMENT FOR PLATING THICKNESS (INSIDE OF BEAMS).
 - 2 TOLERANCE NON-CUMULATIVE.
 - 3 THE MATING END OF THE CONTACT IS IDENTIFIED BY THE LETTER "A" STAMPED ON THE RECEPTACLE BOX.
 - 4 OBSOLETE PARTS: OBSOLETE CIS STREAMLINING PER D.RENAUD/D.SINISI



PLC	CL	STD PRESSURE	TYPE	ASSEMBLY PART NUMBER
3	120		20	2-87982-0
3	96		19	1-87982-9
3	80		18	1-87982-8
3	64		17	1-87982-7
3	48		16	1-87982-6
3	32		15	1-87982-5
3	16		14	1-87982-4
3	0		13	1-87982-3
3	0		12	1-87982-2
3	0		11	1-87982-1
3	0		10	1-87982-0
3	0		9	87982-9
3	0		8	87982-8
3	0		7	87982-7
3	0		6	87982-6
3	0		5	87982-5
3	0		4	87982-4
3	0		3	87982-3
3	0		2	87982-2
B	A	NO OF POSN	ASSEMBLY PART NUMBER	

THIS DRAWING IS A CONTROLLED DOCUMENT.

DWN	L D RINGLEY	17MAR86
CHK	P deJONG	18MAR86
APVD	P deJONG	18MAR86

Tyco Electronics Corporation
 Harrisburg, Pa 17105-3608

ASSY, MOD I, BOARD MOUNT RECP,
 .156 CL, STD PRESSURE, TYPE B,
 FOR RECTANGULAR HOLE MOUNTING

SIZE	A2	CAGE CODE	00779	DRAWING NO	C=87982
WEIGHT	-	SCALE	4:1	SHEET	1 OF 1

CUSTOMER DRAWING

单击下面可查看定价，库存，交付和生命周期等信息

[>>TE Connectivity\(泰科\)](#)