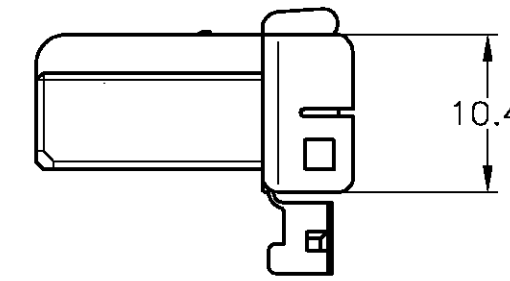
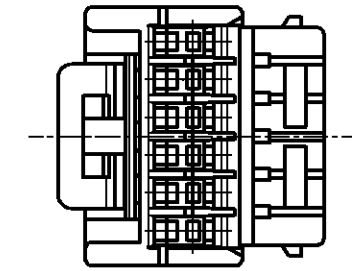
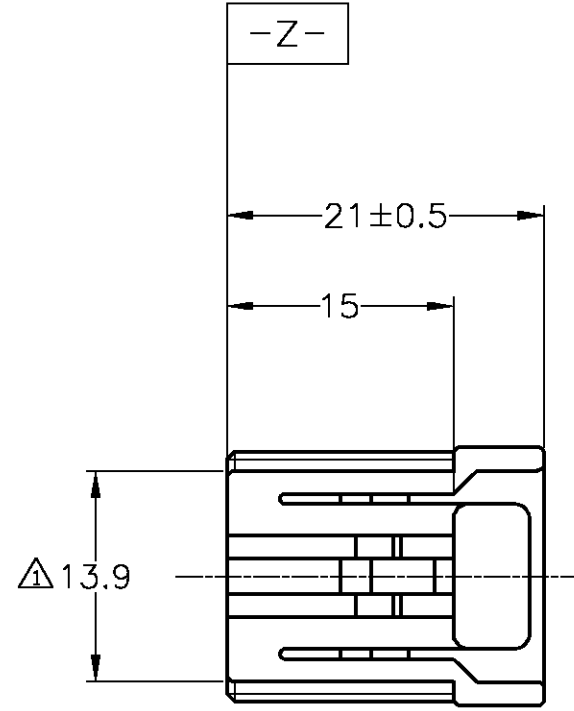
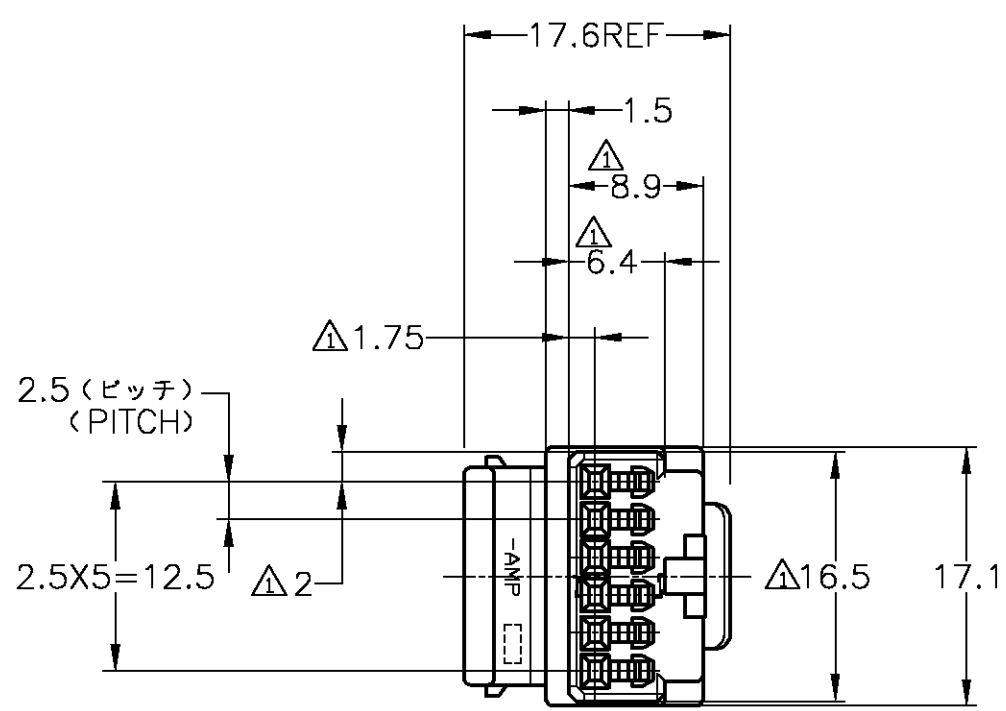


THIS DRAWING IS UNPUBLISHED. RELEASED FOR PUBLICATION
 © COPYRIGHT BY TYCO ELECTRONICS CORPORATION. ALL RIGHTS RESERVED.

LOC	DIST	REVISIONS					
		P	LTR	DESCRIPTION	DATE	DWN	APVD
—	—	01	REVISED	ECR-06-027725	28NOV06	MS	KB



- △ MUST BE KEPT BETWEEN \square -Z- AND 2mm
 - 2. THE MATING CAP HOUSING PART NUMBER; 175506
 - 3. APPLIED CONTACT PART NUMBER 173716, 176381
 - 4. APPLICABLE PRODUCT SPEC NO. 108-5281
-
- △ \square -Z- 面より 2mm の範囲で測定
 - 2. 嵌合相手ハウジング型番: 175506
 - 3. 内装するリセブタクルコンタクト型番は 173716, 173681
 - 4. 適用製品規格番号: 108-5318

黒 (BLACK)	175507-2
色 (COLOR)	PART NUMBER

TOLERANCES UNLESS OTHERWISE SPECIFIED: 一般公差

10 _μ	: ±0.2
30 _μ	> 10 : ±0.25
100 _μ	> 30 : ±0.3
ANGLE	: ±3°

THIS DRAWING IS A CONTROLLED DOCUMENT.

DIMENSIONS: 単位: 概 mm	TOLERANCES UNLESS OTHERWISE SPECIFIED: 一般公差
	0 PLC ± -
	1 PLC ± -
	2 PLC ± -
	3 PLC ± -
	4 PLC ± -
	ANGLES ± -
MATERIAL 材料 PBT	FINISH 仕上 -

DWN M.SUGAWARA	24NOV06
CHK K.BETSUI	24NOV06
APVD K.BETSUI	24NOV06
PRODUCT SPEC	製品規格
APPLICATION SPEC	取付適用規格
WEIGHT	-

tyco Electronics		Tyco Electronics AMP K.K Kawasaki, Japan	
NAME 名称		6 POSITION PLUG HOUSING 040 SERIES MULTI-LOCK I/O CONNECTOR (NON INTERIA TYPE)	
SIZE	CAGE CODE	DRAWING NO 番号	RESTRICTED TO
A3	00779	C-175507	-
CUSTOMER DRAWING		SCALE 尺度 2:1	SHEET 1 OF 1 REV 01

单击下面可查看定价，库存，交付和生命周期等信息

[>>TE Connectivity\(泰科\)](#)