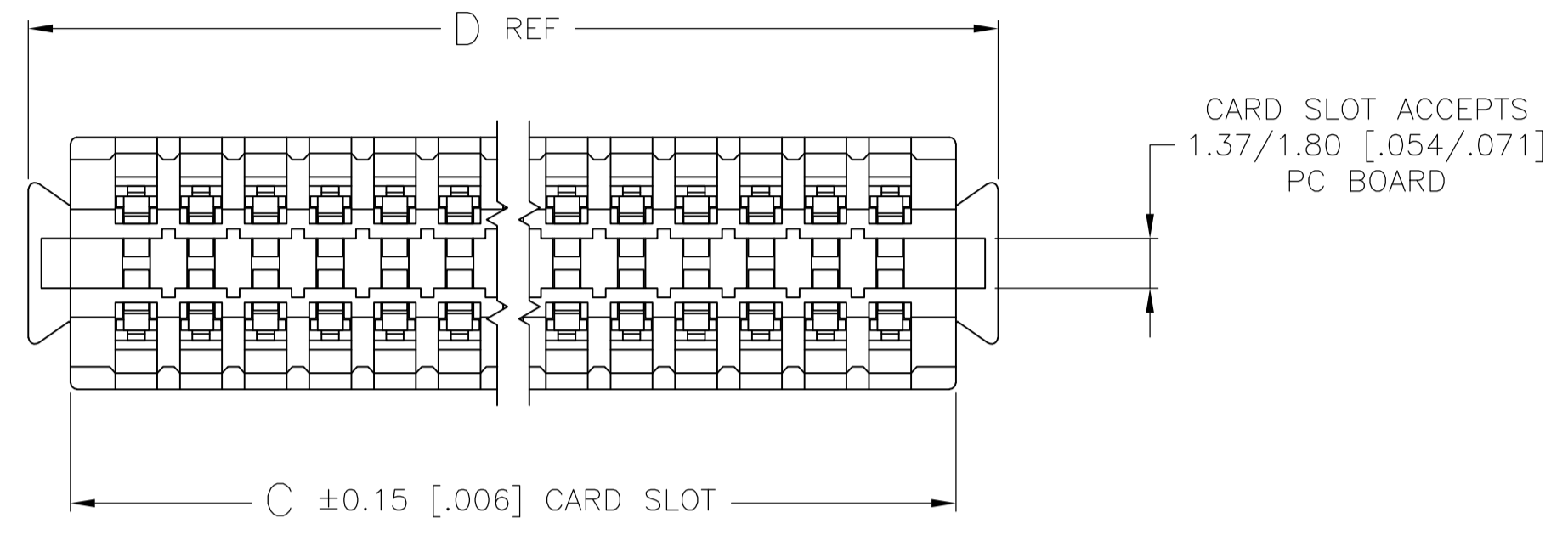


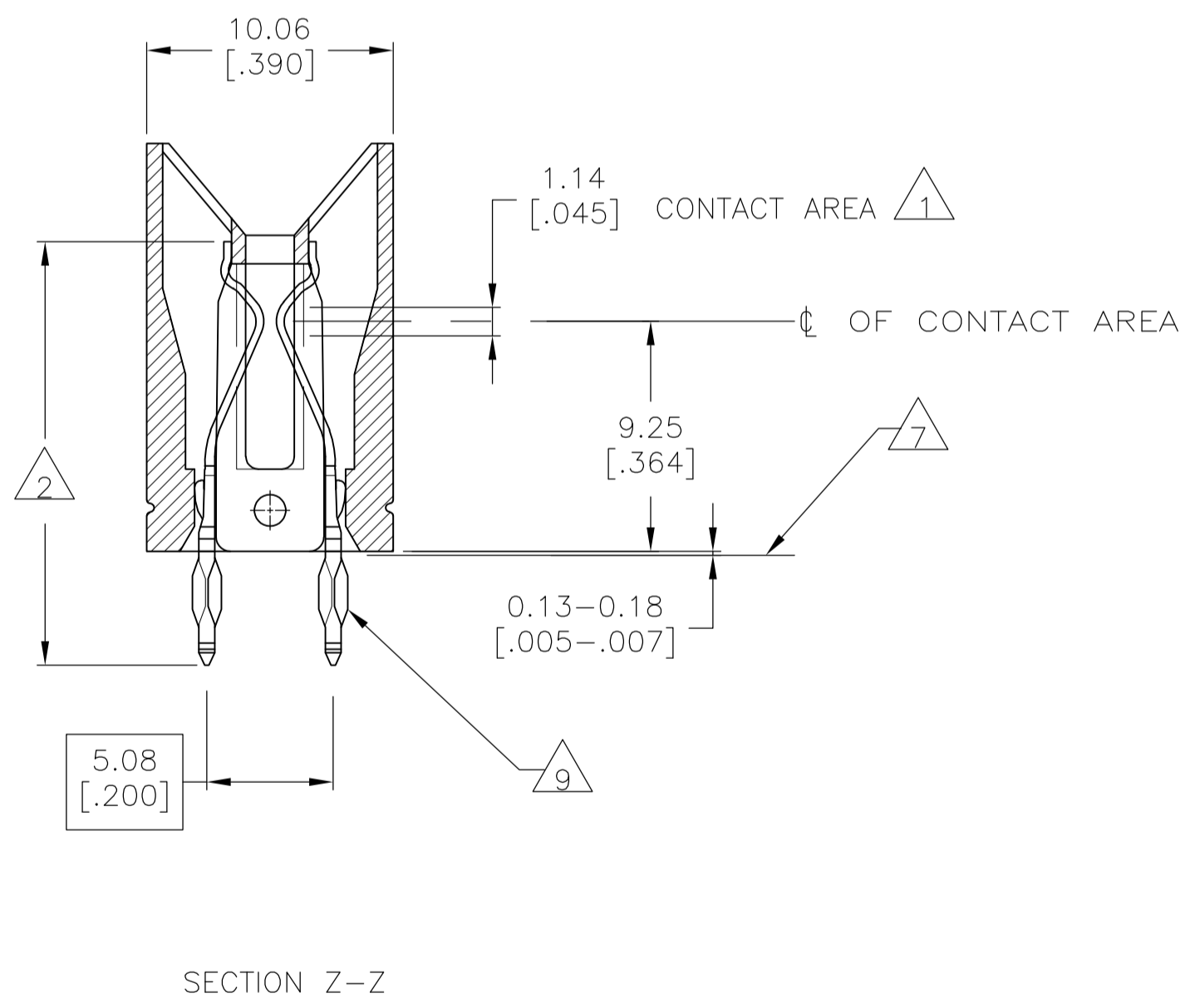
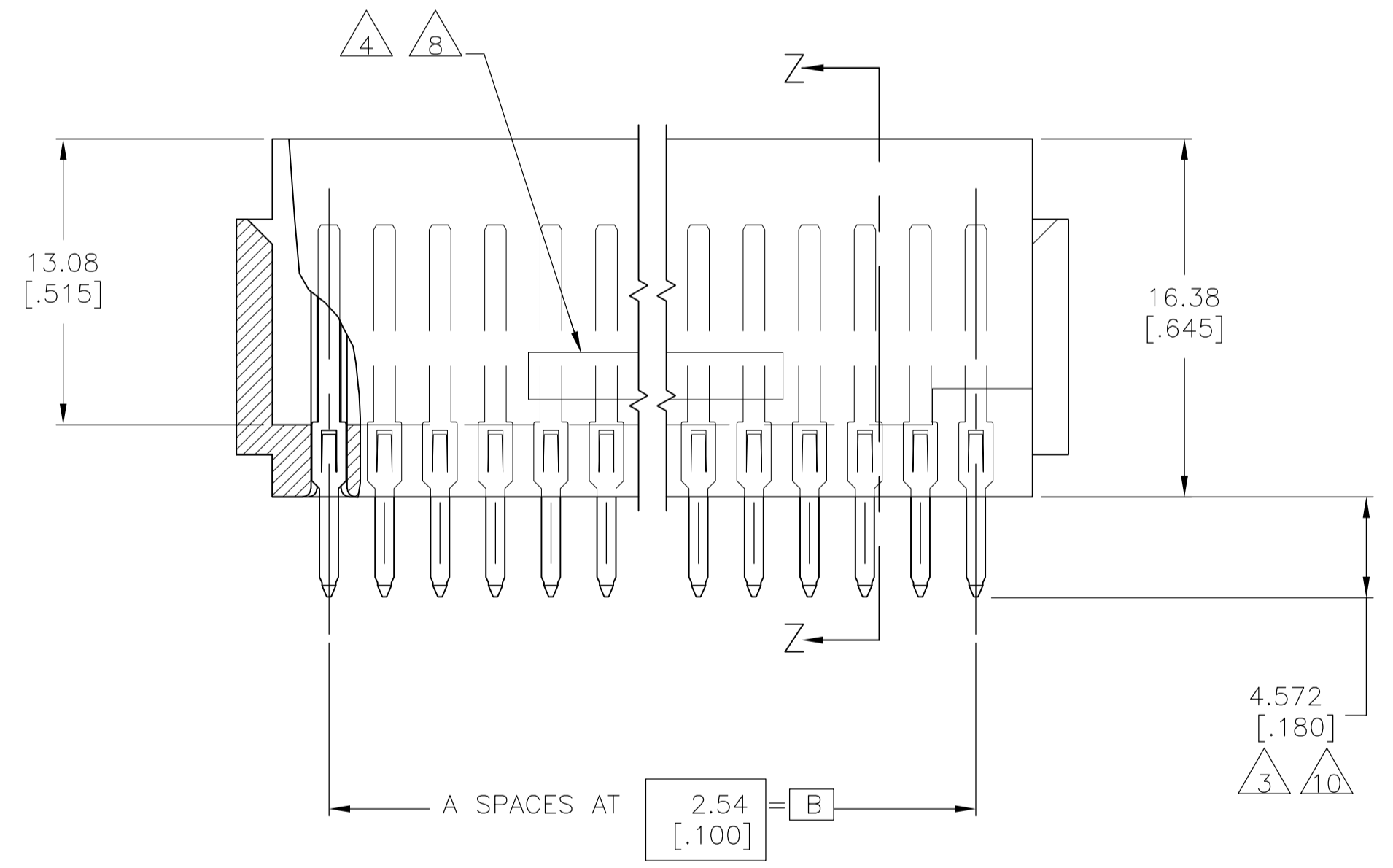
REVISIONS					
P	LTR	DESCRIPTION	DATE	DMN	APVD
W	REVISED PER	ECO-17-002617	27FEB2017	SY	SY

- 1 GOLD PLATE 0.00076 [.000030] MIN THICK OVER NICKEL UNDERPLATE PER QQ-N-290.
- 2 NICKEL PL .00127[.000050] MIN THK PER QQ-N-290
- 3 SOLDER PL .00254[.000100] MIN THK
- 4 HOT STAMPED P/N & DATE CODE.
- 5. OPTIONAL: KEYING PLUG FOR INTERCONTACT KEYING IS 118982-1
- 6. OPTIONAL: CARD GUIDE (BASE NO 117169)
- 7 TOP SURFACE OF P.C. BOARD AFTER APPLICATION DUE TO MYLAR THICKNESS.
- 8 ALL PARTS ASSEMBLED IN MEXICO MUST BE HOT STAMPED "ASSY IN MEXICO". THE WORD "MEXICO" CAN BE SUBSTITUTED ONLY WHERE PART SIZE PROHIBITS HOT STAMPING "ASSY IN MEXICO", PER 115-9009, APPROX WHERE SHOWN, SIDE OPTIONAL.
- 9 ACTION PIN REQUIRES 2.13[.084] MIN THK PC BOARD.
- 10 MATTE TIN PLATE .00254 [.000100] MIN THK



REQUIRED HOLE DIAMETER TOLERANCES FOR COMPLIANT SECTION							
REQ'D DRILL SIZE	HOLE DIA ±.03[.001]	PLATING THICKNESS		HOLE DIAMETER		COPPER HARDNESS (KNOOP)	PAD DIA MIN
		COPPER	TIN/LEAD	AFTER PLATING	AFTER REFLOW		
1.15mm	1.15 [.0453]	0.03-0.08 [.001-.003]	0.008 MIN [.0003] MIN	0.94-1.09 [.037-.043]	0.914-1.09 [.0036-.043]	150 MAX	1.57 [.062]
1.15mm	1.15 [.0453]	NOT PLATED THRU					1.65 [.065]

11 OBSOLETE PARTS: OBSOLETE CIS STREAMLINING PER D.RENAUD/D.SINISI



OBSOLETE	132.94 [5.234]	129.34 [5.104]	132.94 [4.900]	49	50	8-119791-6
OBSOLETE	92.30 [3.634]	88.90 [3.504]	83.82 [3.300]	33	34	7-119791-0
OBSOLETE	82.14 [3.234]	78.84 [3.104]	73.66 [2.900]	29	30	6-119791-6
OBSOLETE	44.04 [1.734]	40.74 [1.604]	35.56 [1.400]	14	15	5-119791-1
OBSOLETE	158.34 [6.234]	155.04 [6.104]	149.86 [5.900]	59	60	4-119791-6
OBSOLETE	145.64 [5.734]	142.34 [5.604]	137.16 [5.400]	54	55	4-119791-1
OBSOLETE	132.94 [5.234]	129.34 [5.104]	132.94 [4.900]	49	50	3-119791-6
OBSOLETE	115.16 [4.534]	111.86 [4.404]	106.68 [4.200]	42	43	2-119791-9
OBSOLETE	107.54 [4.234]	104.24 [4.104]	99.06 [3.900]	39	40	2-119791-6
OBSOLETE	99.92 [3.934]	96.62 [3.804]	91.44 [3.600]	36	37	2-119791-3
OBSOLETE	97.38 [3.834]	94.08 [3.704]	88.90 [3.500]	35	36	2-119791-2
OBSOLETE	94.84 [3.734]	91.54 [3.604]	86.36 [3.400]	34	35	2-119791-1
OBSOLETE	92.30 [3.634]	88.90 [3.504]	83.82 [3.300]	33	34	2-119791-0
OBSOLETE	82.14 [3.234]	78.84 [3.104]	73.66 [2.900]	29	30	1-119791-6
OBSOLETE	77.06 [3.034]	73.76 [2.904]	68.58 [2.700]	27	28	1-119791-4
OBSOLETE	69.44 [2.734]	66.14 [2.604]	60.96 [2.400]	24	25	1-119791-1
OBSOLETE	61.82 [2.434]	58.52 [2.304]	53.34 [2.100]	21	22	119791-8
OBSOLETE	56.74 [2.234]	53.44 [2.104]	48.26 [1.900]	19	20	119791-6
OBSOLETE	51.66 [2.034]	48.36 [1.904]	43.18 [1.700]	17	18	119791-4
11 SUPERSEDED	44.04 [1.734]	40.74 [1.604]	35.56 [1.400]	14	15	119791-1

THIS DRAWING IS A CONTROLLED DOCUMENT.

STE TE Connectivity

CONNECTION, AMP FACE .100x.200

114-26002

0.000000

119791

CUSTOMER DRAWING

SCALE 4:1 SHEET 1 OF 1 REV W

单击下面可查看定价，库存，交付和生命周期等信息

[>>TE Connectivity\(泰科\)](#)