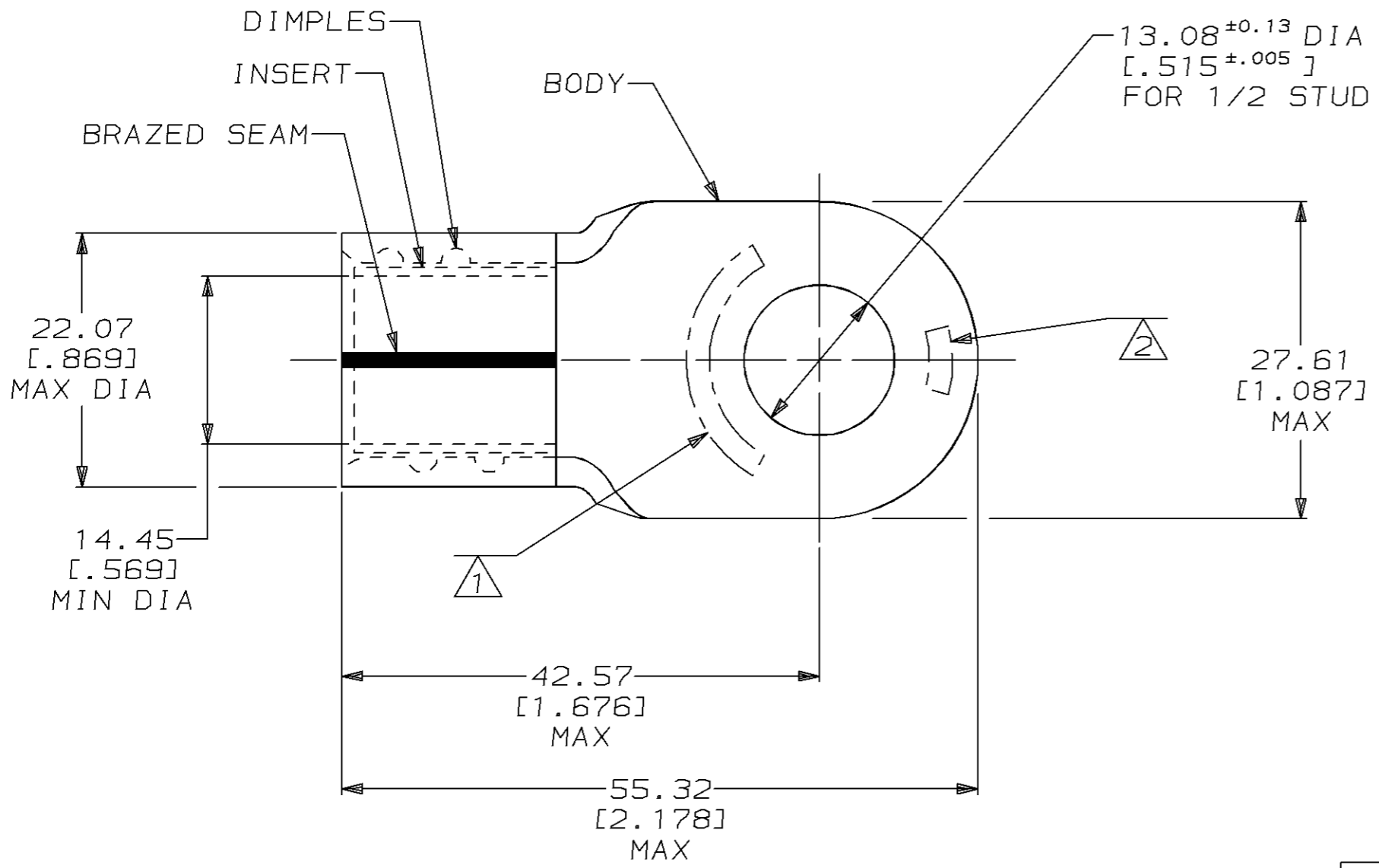


THIS DRAWING IS UNPUBLISHED. RELEASED FOR PUBLICATION, 19
 © COPYRIGHT 19 BY AMP INCORPORATED. ALL INTERNATIONAL RIGHTS RESERVED.

LOC	DIST	P	F	ZONE	LTR	REVISIONS	DATE	APPD
G	86				J	REVISED PER 0L20-0012-96	04SEP96	OKS DMS

METRIC
 DIMENSIONS LISTED IN mm [INCHES]



- 1 STAMP AMP 4/0 APPROX AS SHOWN
- 2 STAMP AL90CU APPROX AS SHOWN
- 3 MATERIAL THK: 2.59±0.05 [.102±.002]

BODY: COPPER PER ASTM B-152 TIN PLATE 0.00254 [.000100] MIN PER MIL-T-10727	51995-2
INSERT: BRASS PER MIL-C-50 TIN PLATE 0.00254 [.000100] MIN PER MIL-T-10727	

AMP INCORPORATED CUSTOMER SERVICE SYSTEMS		MAX RECOMMENDED OPERATING TEMPERATURE: 150°C MAX	DO NOT SCALE PRINT, UNLESS SPECIFIED DIMENSIONS IN mm [INCHES] TOLERANCES ON: 2 PLC DEC ± 0.20 [.008] 3 PLC DEC ± - ANGLES ± -	DR 2/4/94 DK SCHRUM	AMP AMP Incorporated Harrisburg, PA 17105-3608 NAME TERMINAL ASSEMBLY, RING TONGUE, STRANDED/SOLID, COPALUM™, WIRE SIZE: 4/0 AWG
FOR ADDITIONAL PRODUCT INFORMATION OR COPIES OF DRAWINGS AND TECHNICAL DOCUMENTS	PRODUCT INFORMATION CENTER 1-800-522-6752			VOLTAGE RATING: NOT APPLICABLE	
FOR APPLICATION TOOLING INFORMATION	TOOLING ASSISTANCE CENTER 1-800-722-1111	WIRE CROSS SECTIONAL AREA RANGE: 96.3-117.0mm² [190,000-231,100] CJR MILS SOLID OR STRANDED	APPD 2/10/94 RE ROSER		
FOR ORDER ENTRY	1-800-526-5142	THIS DRAWING IS A CONTROLLED DOCUMENT FOR AMP INCORPORATED. IT IS SUBJECT TO CHANGE AND THE CONTROLLING ENGINEERING ORGANIZATION SHOULD BE CONTACTED FOR THE LATEST REVISION.	APPD 2/10/94 JL MECKLEY		
			FINISH SEE TABLE	PRODUCT SPEC -	
				APPLICATION SPEC -	SIZE B
				WEIGHT -	CAGE CODE 00779
					DRAWING NO C-51995
					SCALE 2:1
					SHEET 1 OF 1

单击下面可查看定价，库存，交付和生命周期等信息

[>>TE Connectivity\(泰科\)](#)