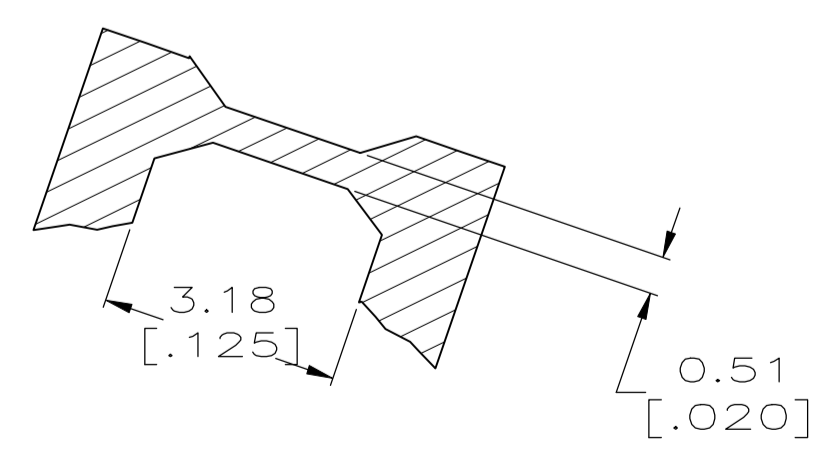
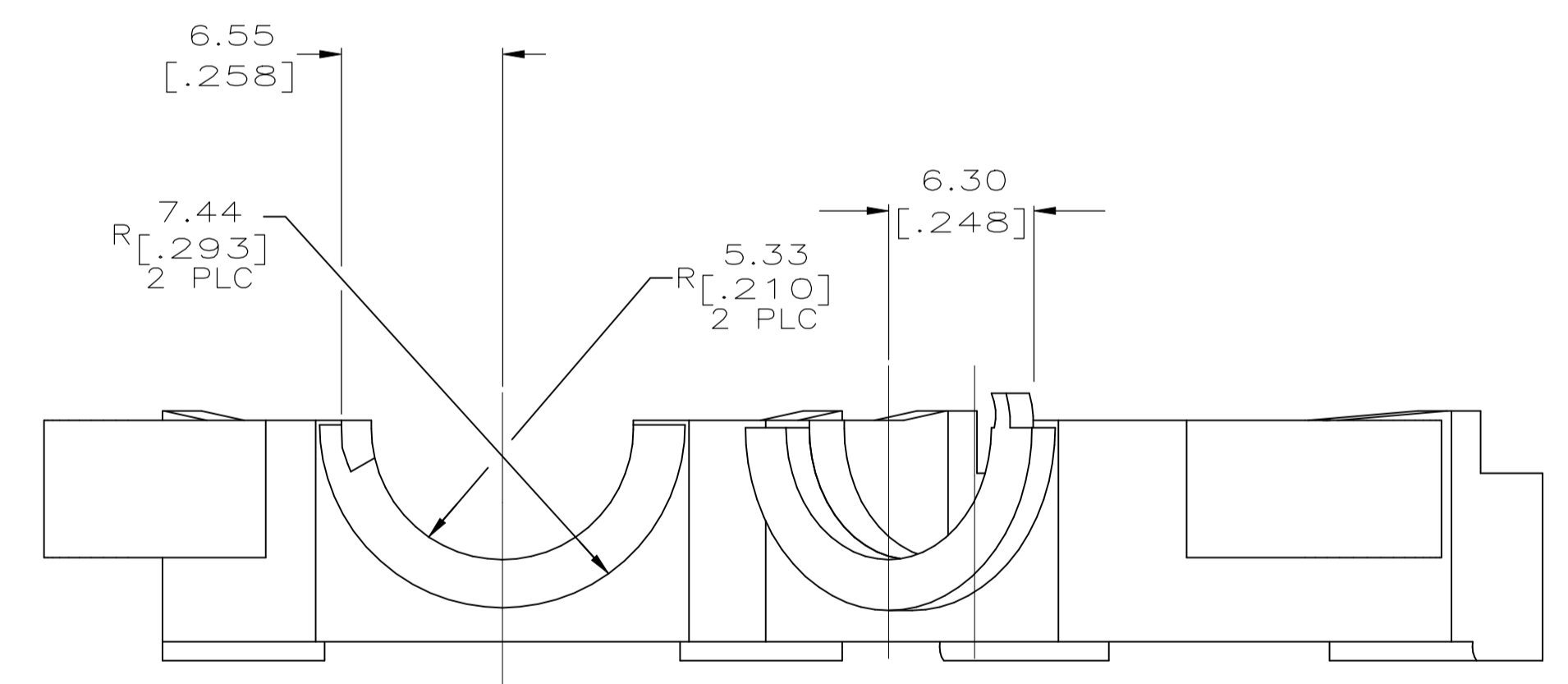
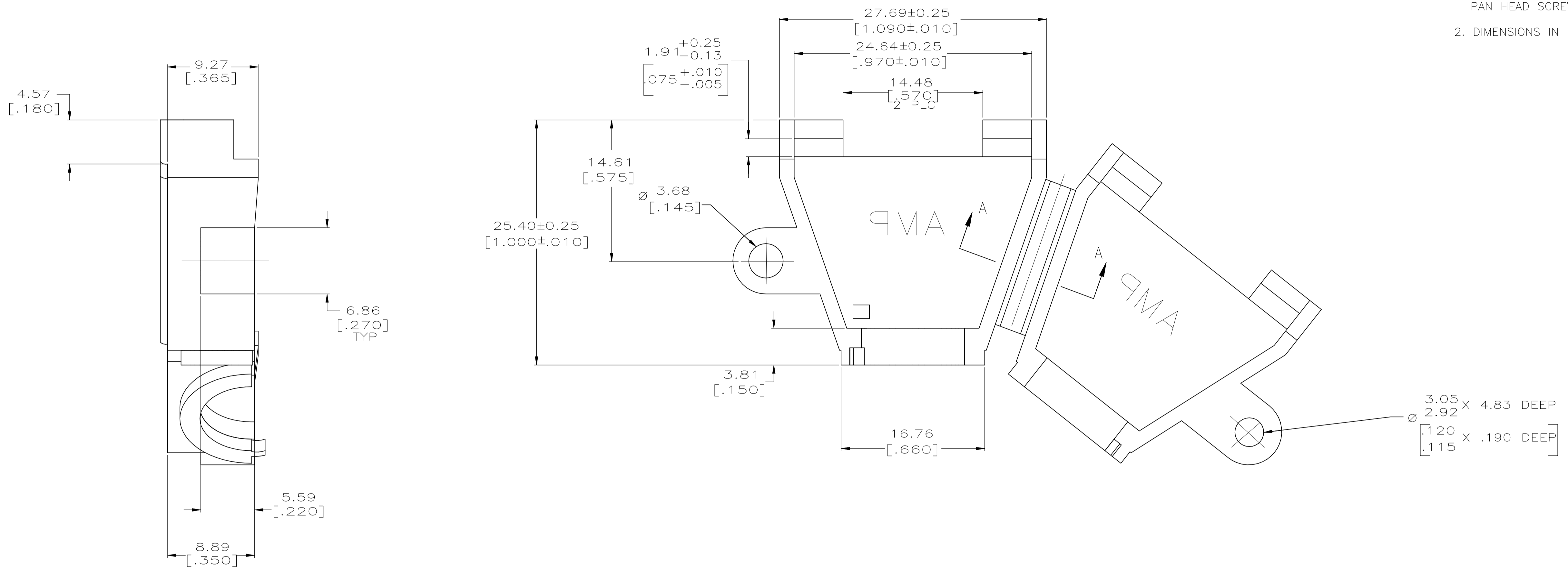
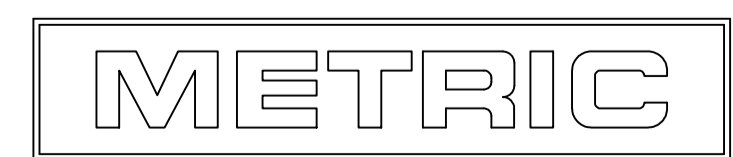
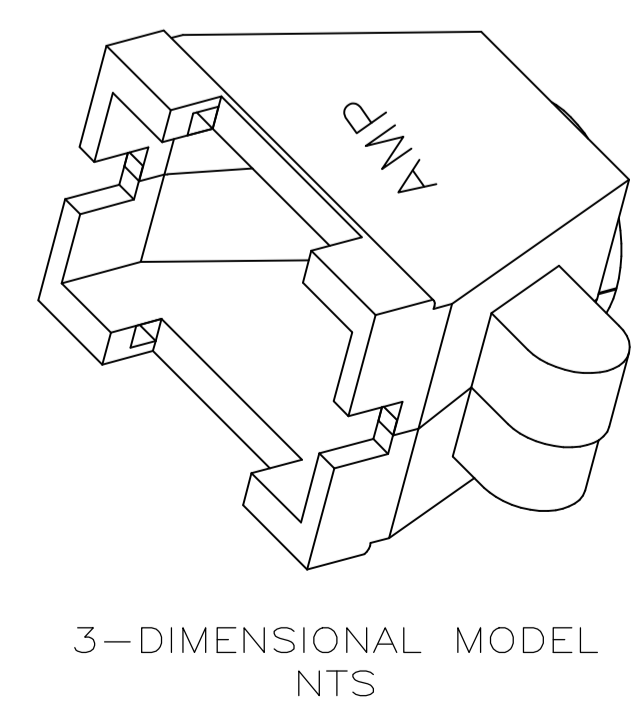


REVISIONS				
P	LTR	DESCRIPTION	DATE	APP'D
J		REV & REDRAWN PER EC 0730-0072-94	8-26-93	RS
J1		REVISED PER ECO-18-019631	17DEC2018	RS MZ

- REQUIRES A #6 PAN HEAD TYPE "B" SELF TAPPING PAN HEAD SCREW, 9.53 [.375] LONG.
- DIMENSIONS IN BRACKETS ARE IN INCHES.



SECTION A-A  
SCALE 10:1



BLACK	1-350523-9
BRICK RED	350523-1
COLOR	PART NO
<b>STE</b> TE Connectivity Ltd.	
STRAIN RELIEF, HINGED, 15 POSITION	
SIZE	CAGE CODE
A1	00779
DRAWING NO	350523
RESTRICTED TO	
CUSTOMER DRAWING	
SCALE	4:1
SHEET	1 OF 1
REV	J1

THIS DRAWING IS A CONTROLLED DOCUMENT.		DWN	K. SALMON	8-26-93
DIMENSIONS:		DWG	R. SWING	8-26-93
mm [INCHES]		APVD		
0 PLC ± -		NAME		
1 PLC ± -		W. LONG		
2 PLC ± 0.13[.005]		PRODUCT SPEC		
3 PLC ± -		APPLICATION SPEC		
4 PLC ± -		WEIGHT		
ANGLES ± -		MATERIAL		
FINISH:		NYLON		
COLOR, SEE TABLE		CUSTOMER DRAWING		

单击下面可查看定价，库存，交付和生命周期等信息

[>>TE Connectivity\(泰科\)](#)