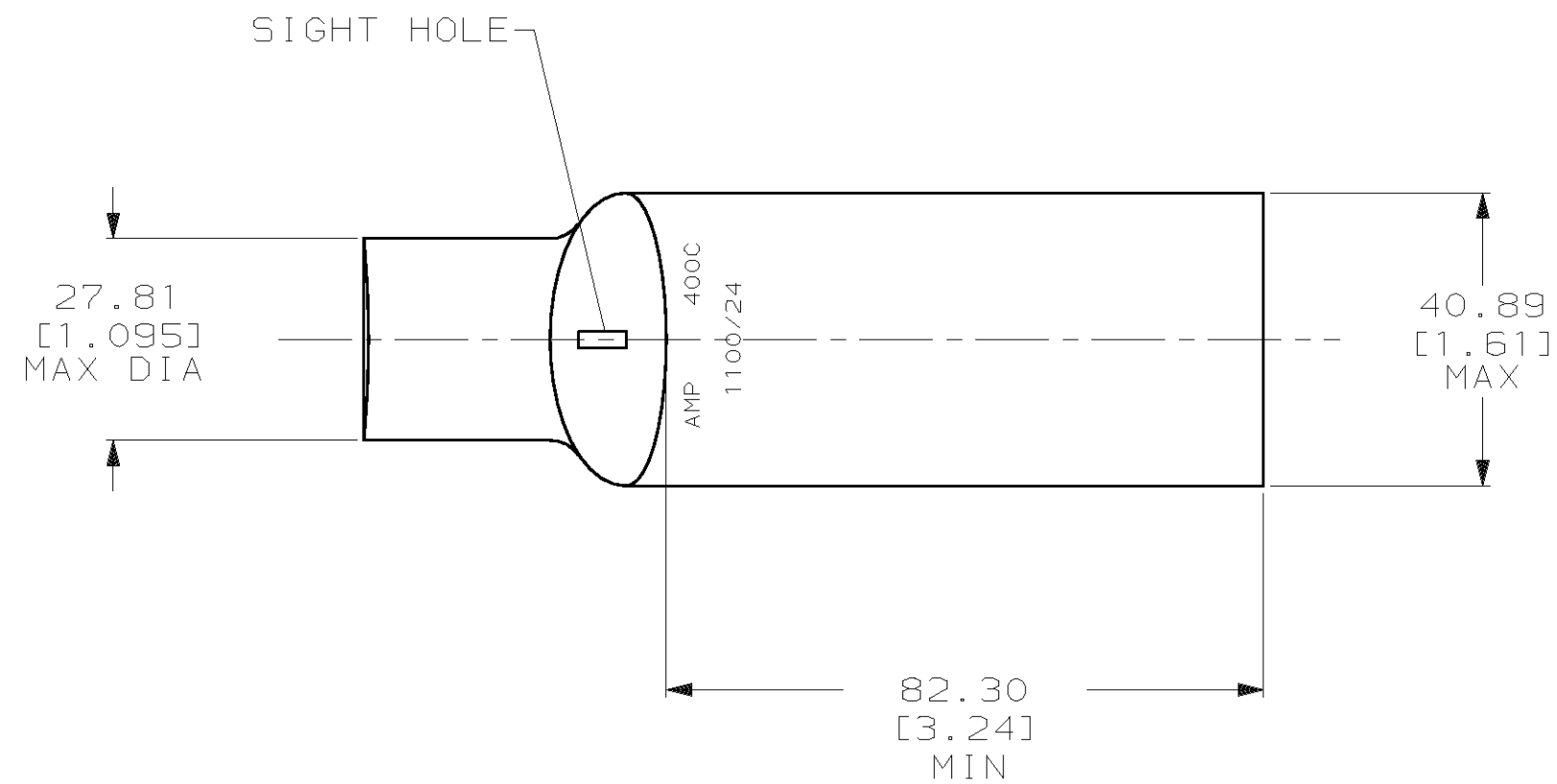
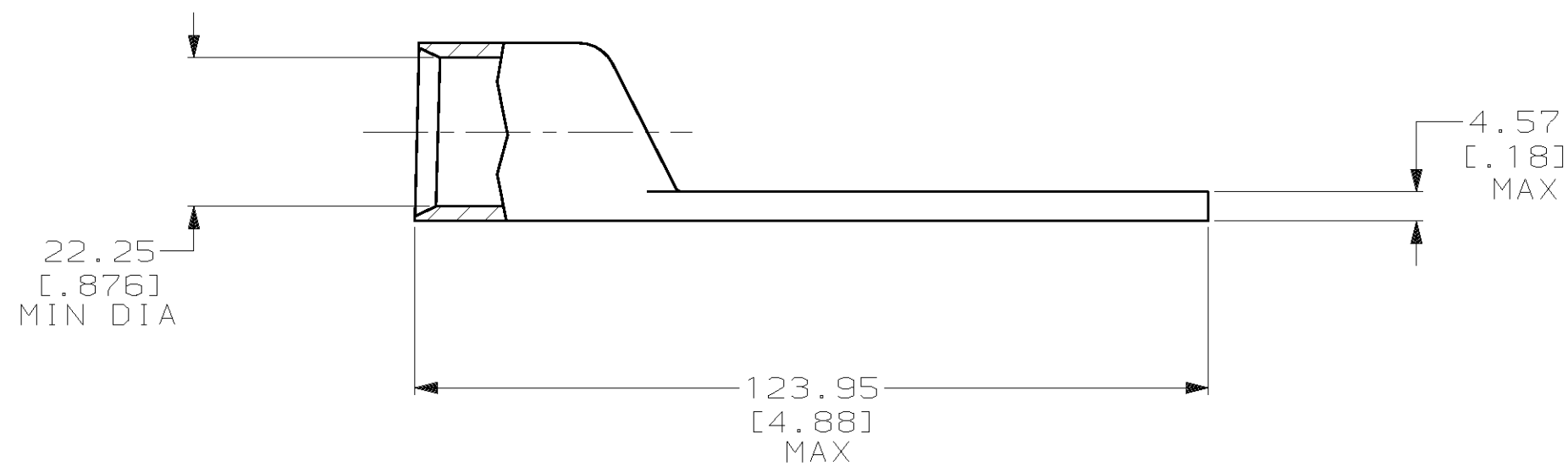


THIS DRAWING IS UNPUBLISHED. RELEASED FOR PUBLICATION, 19 .
 © COPYRIGHT 19 BY AMP INCORPORATED. ALL INTERNATIONAL RIGHTS RESERVED.

LOC		DIST		REVISIONS				DATE	APPD
ZONE	LTR	DESCRIPTION		DATE	APPD				
G	86	P	F	U	REV PER 0G3A-0561-01	08OCT02	JR		



1 CIRCULAR MIL AREA RANGE: 375-450 MCM
 2 TIN PL 0.00381 [0.00150] MIN THK PER MIL-T-10727



326016

B

A

326016
 PART NO

DO NOT SCALE PRINT. UNLESS SPECIFIED DIMENSIONS IN mm [INCHES] TOLERANCES ON : 2 PLC DEC ± 0.51 [0.020] 3 PLC DEC ± - ANGLES ± -		DR 03/16/90 DK SCHRUM		AMP INCORPORATED Harrisburg, Pa. 17105	
MATERIAL ANNEALED COPPER ASTM B-75		CHK 23JAN95 MS FEHER			
FINISH 		APPD 23JAN95 WJ VOCKROTH		NAME TERMINAL, AMPPOWER™ WIRE SIZE: 400 MCM	
		APPD 23JAN95 TL SHUTTER		DRAWING NO 326016	
		PRODUCT SPEC 108-30200		CAGE CODE 00779	
		APPLICATION SPEC -		SCALE 1:1	
		WEIGHT .403 LB		SHEET 1 OF 1	



单击下面可查看定价，库存，交付和生命周期等信息

[>>TE Connectivity\(泰科\)](#)