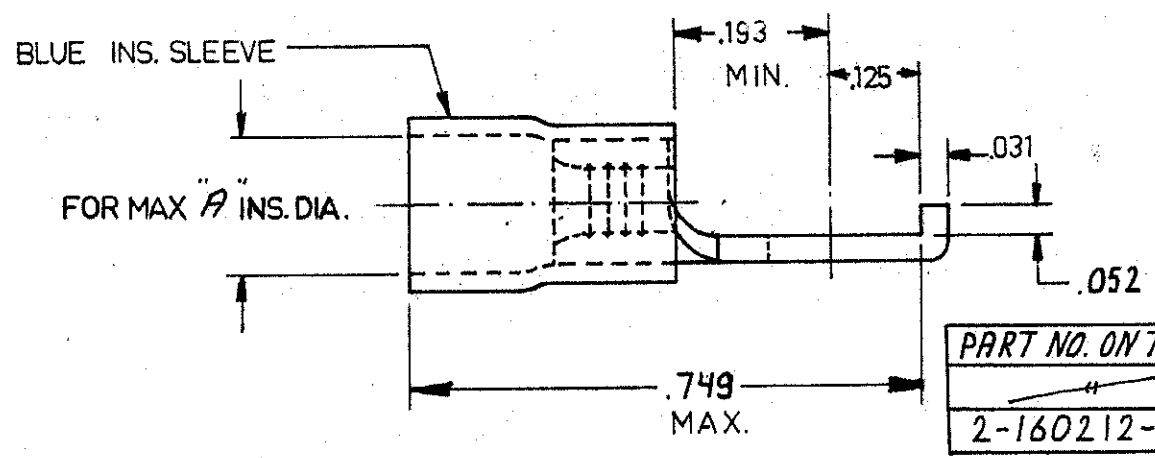
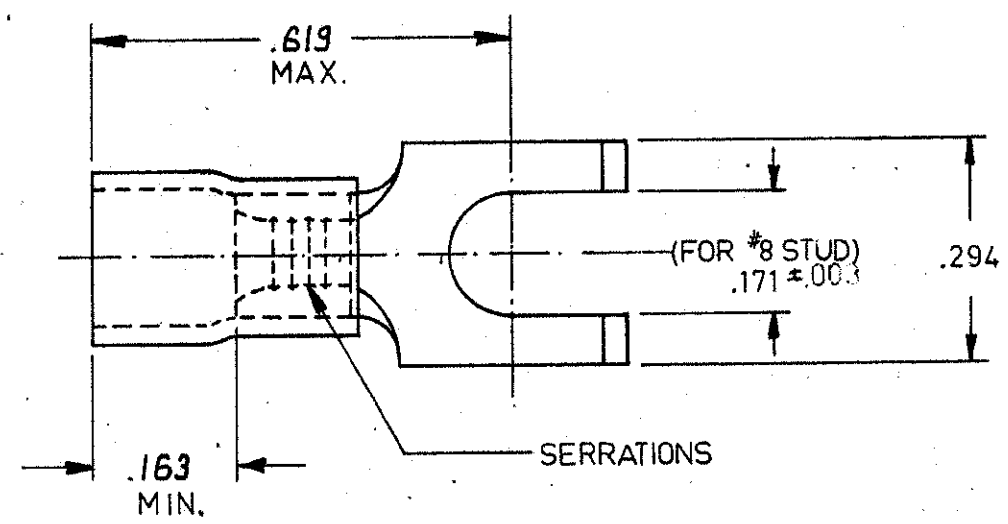


DIMENSIONS IN INCHES —DO NOT SCALE PRINT

⚠ PART NO. IS OBSOLETE  
 ⚠ SUPERSEDED BY 160212

ORDER № 160212



PART NO. ON TAPE	PART NO.	A
	160212	.195
2-160212-1	160212-1	.173

CUSTOMER PRINT FOR REFERENCE ONLY

©1964 BY AMP Holland N.V. ALL RIGHTS RESERVED. AMP PRODUCTS COVERED BY PATENTS AND/OR PATENTS PENDING.

-9	-8	-7	-6	-5	-4	-3	-2	-1	DWG SIZE	NUMBER	NAME	REMARKS	ITEM NO.
										COPPER	HEAT TREAT	FINISH TINPLATED	
										AMP	DR. G. Arnold 12-7-64	DATE APP. 12-7-64	DATE REL. 12-7-64
										AMP-HOLLAND N.V.	CHK. [Signature] 12-15-64	DATE APP. 12-15-64	DATE FIRST USED
										HERTOGENBOSCH HOLLAND	TYPE P. G.	PRINT DIST.	LOC H
										SCALE 4-1	WIRE SIZE 16-14	CMA MAX. MIN.	NAME
										DESCRIPTION		SIZE NUMBER	REV E
												C-160 212-EE	
												FLANGED SPADE	

单击下面可查看定价，库存，交付和生命周期等信息

[>>TE Connectivity\(泰科\)](#)