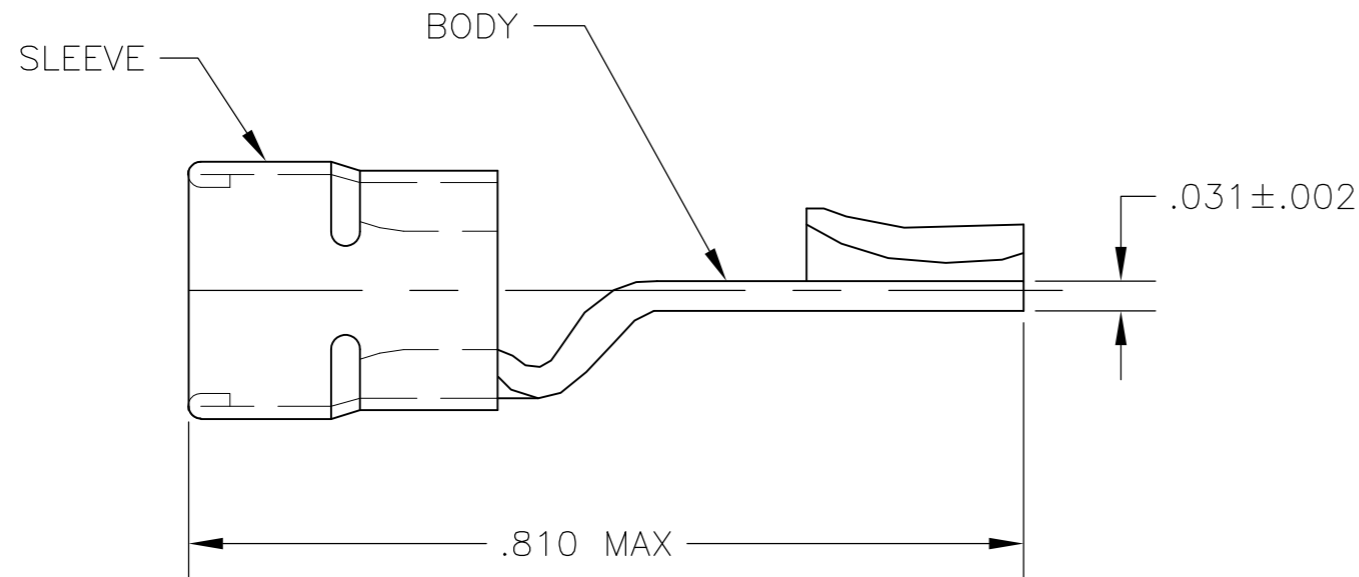
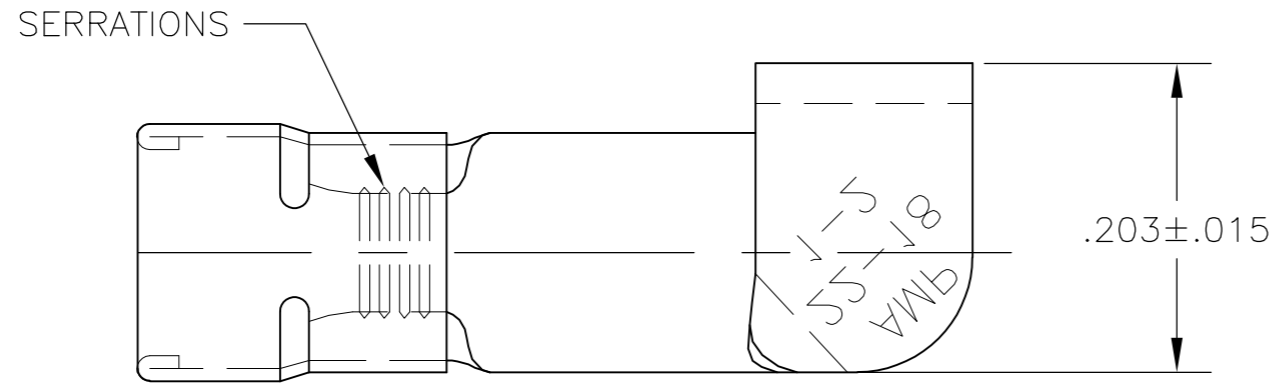


THIS DRAWING IS UNPUBLISHED. RELEASED FOR PUBLICATION  
 © COPYRIGHT BY TYCO ELECTRONICS CORPORATION. ALL RIGHTS RESERVED.

LOC	DIST	REVISIONS			
P	LTR	DESCRIPTION	DATE	DWN	APVD
G	86	J	REVISED PER ECR-08-018477	07AUG08	HMR TM



- 1 FOR .080 TO .125 WIRE INSULATION DIA
- 2 MARKING 22-18 FOR MILITARY COMMERCIAL RANGE 22-16.
- △ 3 BODY & SLEEVE: COPPER PER ASTM-B152
- △ 4 TIN PLATE .000100 MIN THK PER ASTM-B545

5000	31770 ON TAPE	2-31770-2
1000	LOOSE PIECE	31770
QTY	PACKAGE TYPE	PART NO

THIS DRAWING IS A CONTROLLED DOCUMENT.		DWN jr_ruth 22DEC2003	Tyco Electronics Corporation Harrisburg, PA 17105-3608	
DIMENSIONS: INCHES 		CHK MJ SPICER 22DEC03		
TOLERANCES UNLESS OTHERWISE SPECIFIED: 0 PLC ± - 1 PLC ± - 2 PLC ± - 3 PLC ± .008 4 PLC ± - ± 5' ANGLES ± - ± 5'		APVD MJ SPICER 22DEC03	NAME	
MATERIAL		PRODUCT SPEC	WIRE TERMINAL DIAMOND GRIP-KNIFE DISCONNECT WIRE SIZE: 22-16	
FINISH		APPLICATION SPEC	SIZE	RESTRICTED TO
△ 3		WEIGHT	A3 00779	—
		CUSTOMER DRAWING	C-31770	
		SCALE	SHEET	REV
		5:1	1 OF 1	J

单击下面可查看定价，库存，交付和生命周期等信息

[>>TE Connectivity\(泰科\)](#)