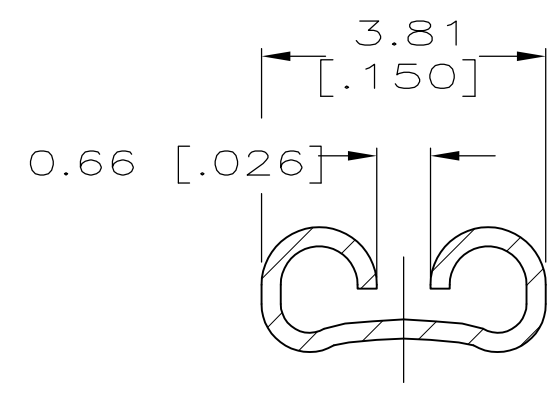
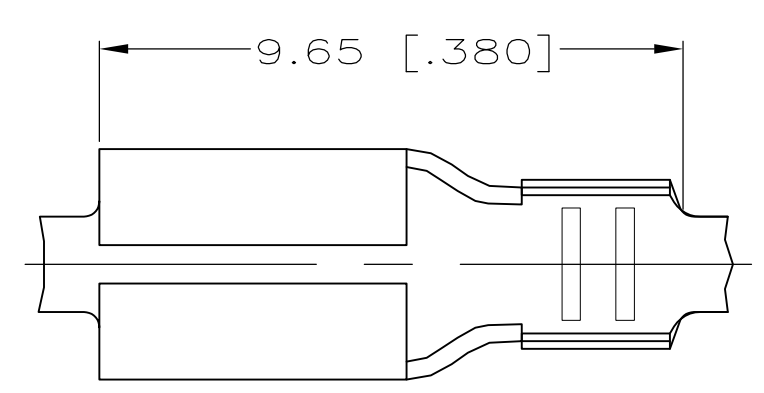


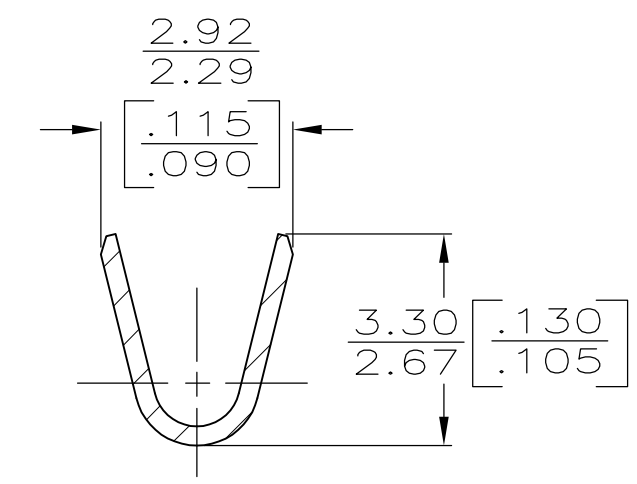
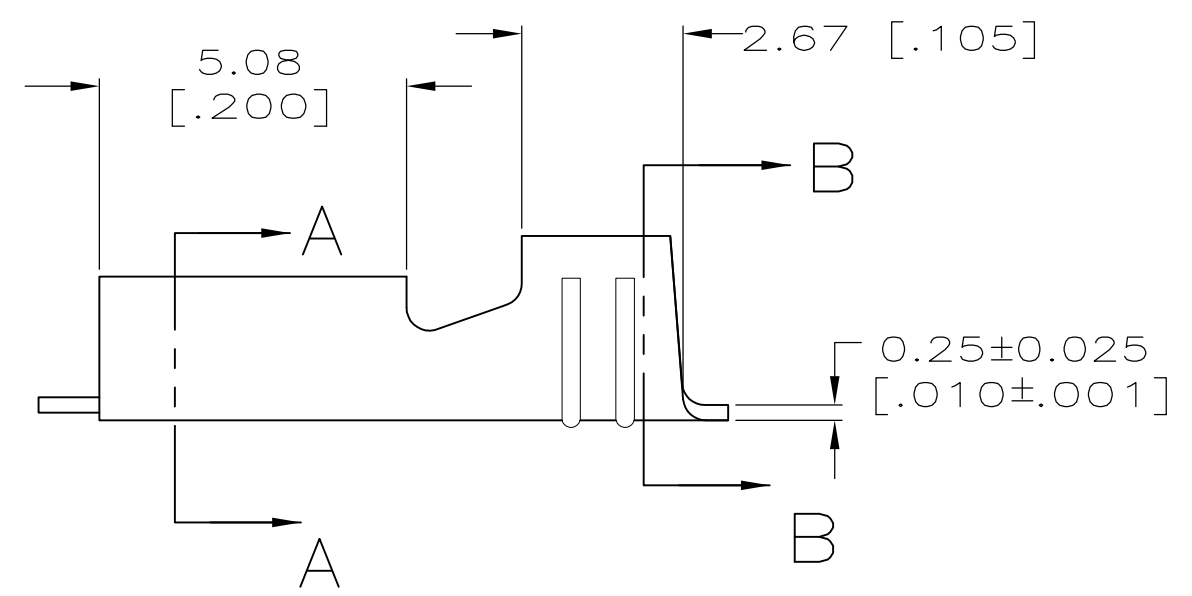
THIS DRAWING IS UNPUBLISHED. RELEASED FOR PUBLICATION
 © COPYRIGHT - By - ALL RIGHTS RESERVED.

LOC	DIST	REVISIONS			
P	LTR	DESCRIPTION	DATE	DWN	APVD
AF	50	G	REVISED PER ECR-12-013459	27NOV2012	KH PD

- 1 CONTINUOUS STRIP ON REELS
- △ 2 TIN OVER COPPER



SECTION A-A
SCALE 10:1



SECTION B-B
SCALE 10:1

△ 2 PRE-TIN	#20-#18 AWG	0.51 [.020]	62850-2 62850-1
FINISH	WIRE SIZE	MATING TAB THK ±.001	PART NO

THIS DRAWING IS A CONTROLLED DOCUMENT.		DWN JR RUTH 2/2/94	TE Connectivity	
DIMENSIONS: mm [INCHES]		CHK MS FEHER 2/2/94		
TOLERANCES UNLESS OTHERWISE SPECIFIED:		APVD P DESANTIS 2/2/94	NAME RECEPTACLE, FASTON,™ 2.79 [.110] SERIES	
0 PLC ± - 1 PLC ± - 2 PLC ± 0.38 [.015] 3 PLC ± - 4 PLC ± - ANGLES ± -		PRODUCT SPEC -	SIZE A3	
MATERIAL BRASS		FINISH SEE TABLE	APPLICATION SPEC -	CAGE CODE 00779
		WEIGHT -	DRAWING NO C-62850	RESTRICTED TO -
CUSTOMER DRAWING			SCALE 8:1	SHEET 1 OF 1
			REV G	

单击下面可查看定价，库存，交付和生命周期等信息

[>>TE Connectivity\(泰科\)](#)