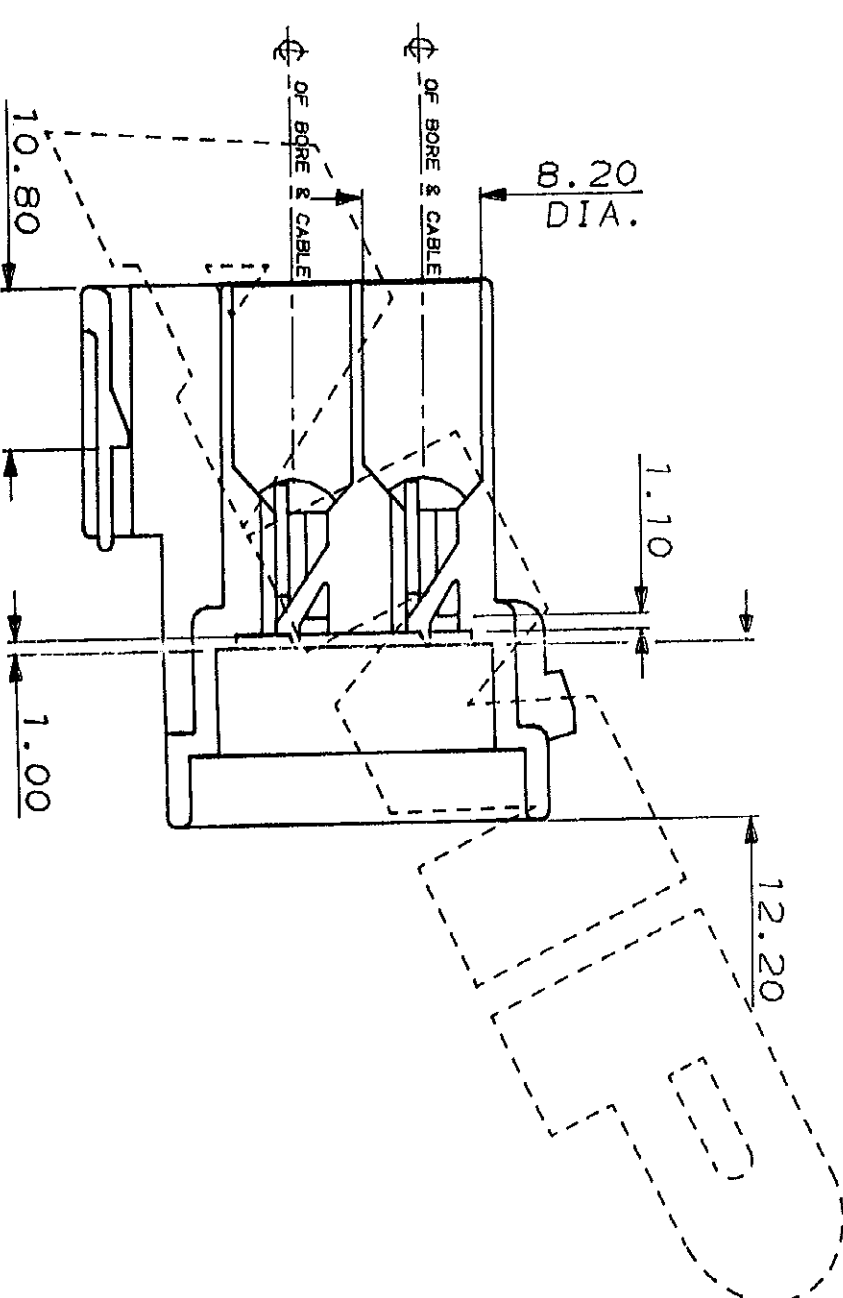
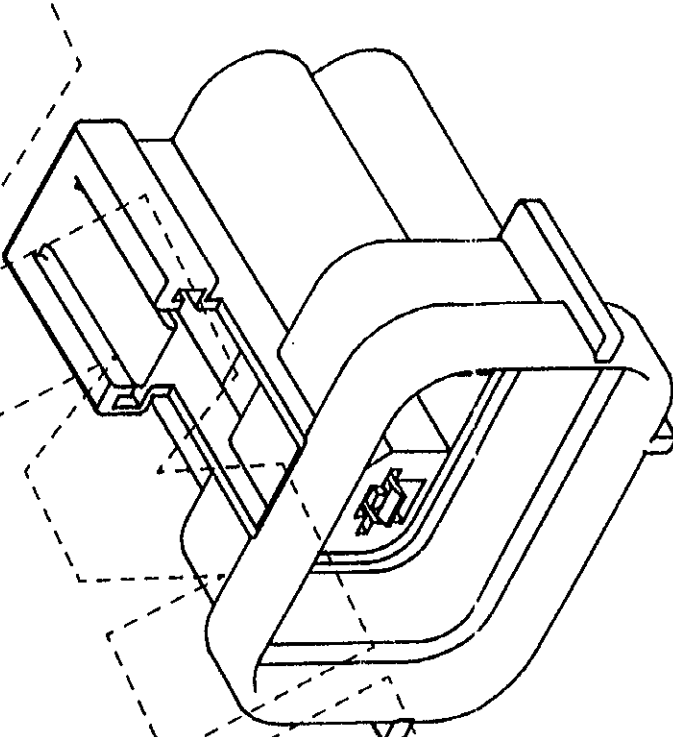
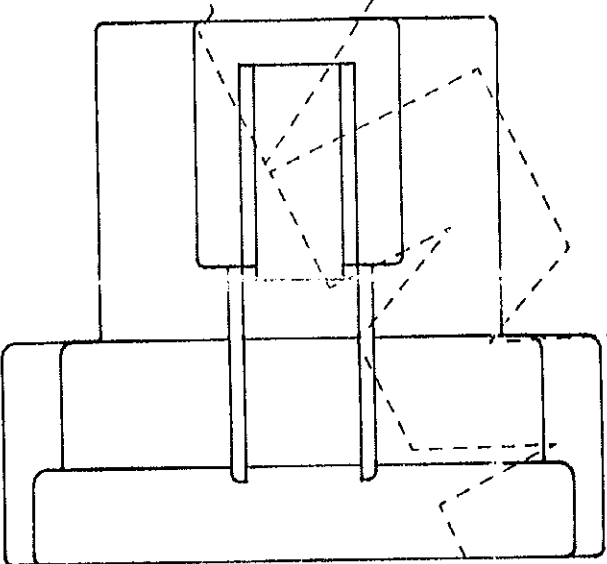
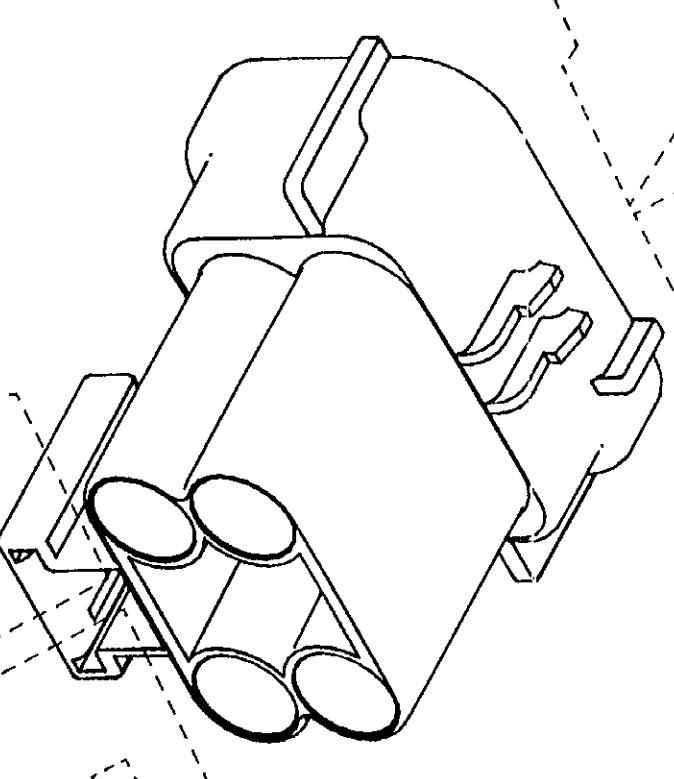
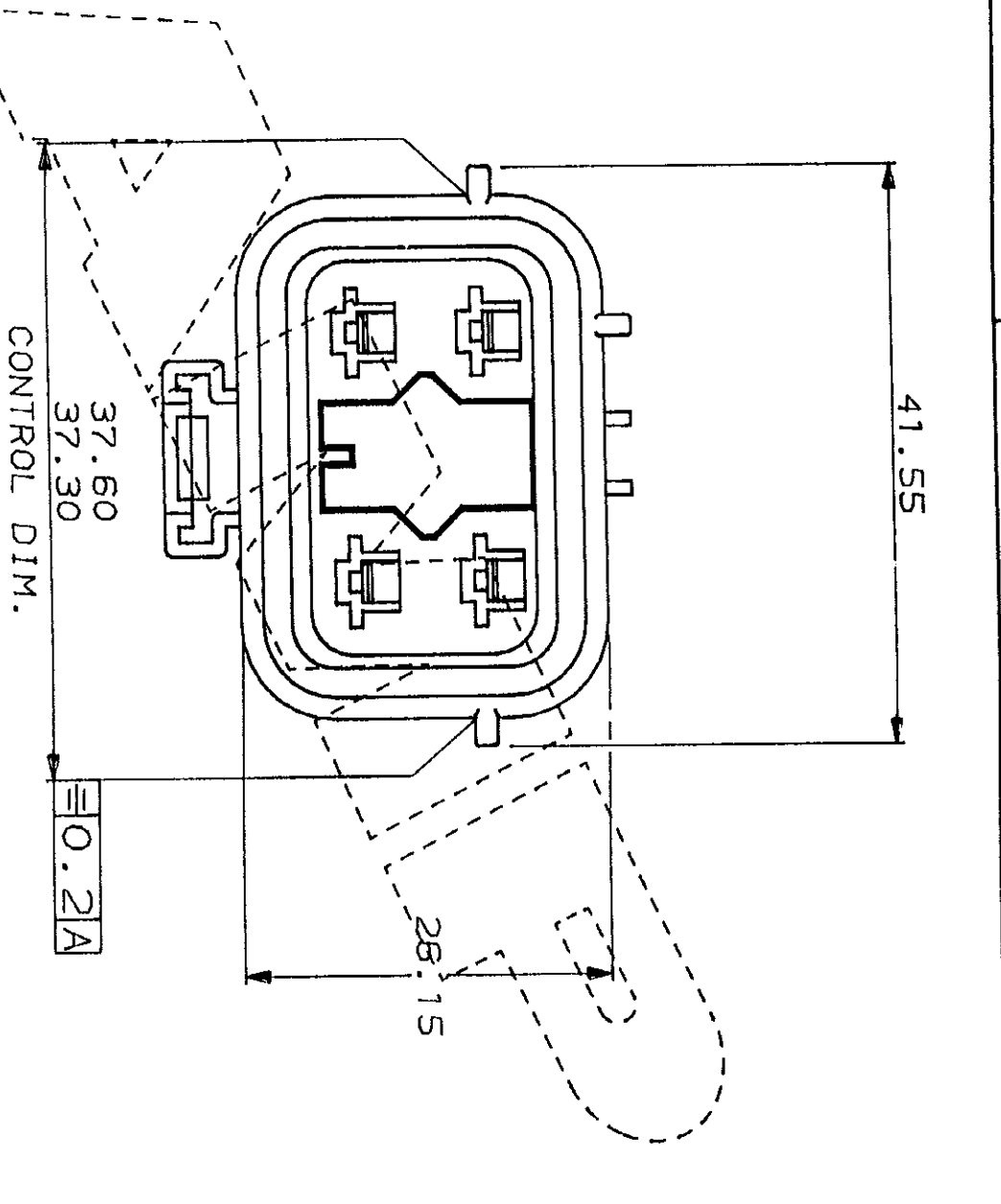
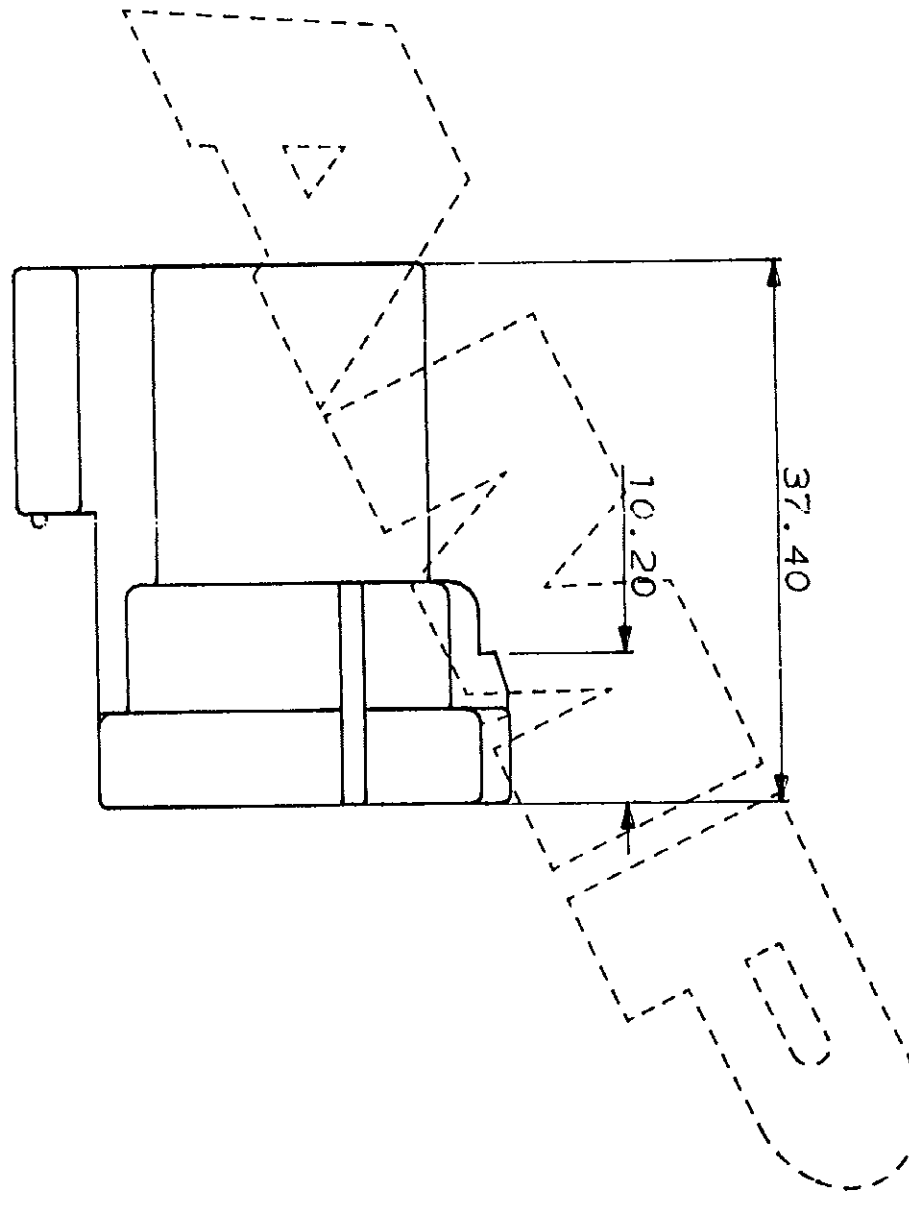
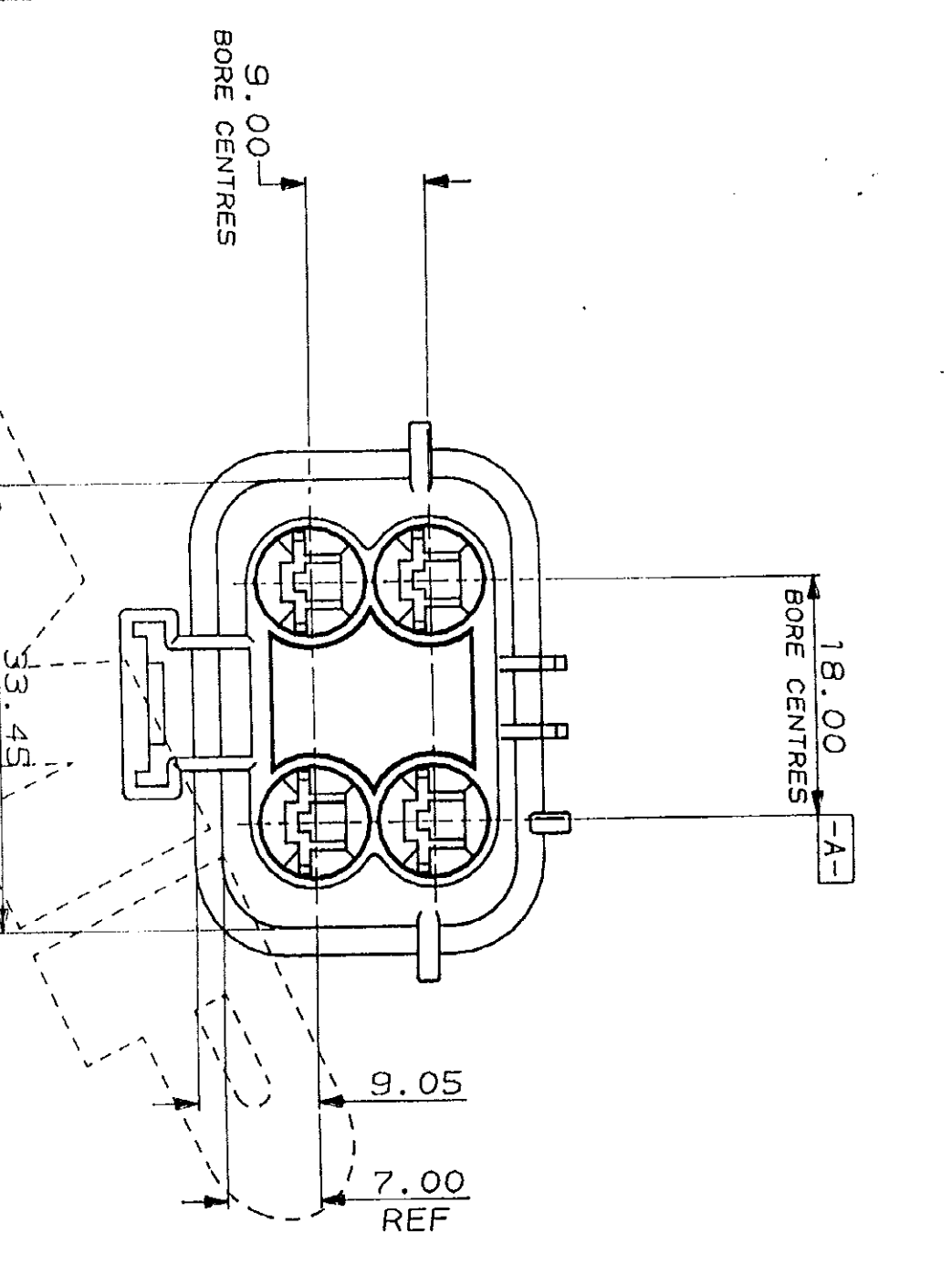


8 7 6 5 4 3 2 1

DO NOT SCALE DIMENSIONS IN MM.

REV	APPROVED	ECN	DATE	NAME	MATERIAL	PART NUMBER
B	UPDATED		05/24/12.6.88	DR. I. JOHNSON	NYLON 66	C344074-1
A	UPDATED		05/04/18.7.88	CH. R. J. S.		
0	REL. FOR PROD.		07/24/11.3.88	DR. I. JOHNSON		

FINISH: BLACK

CUSTOMER DWG FOR REFERENCE ONLY

4 WAY TAB H56.
ECONOSEAL 3 HIGH CURRENT

SCALE: 2/1

LOC: E

SIZE: A2

DWG. NO.: C344074

REV: B

SHEET: 1/1

©COPYRIGHT 1987 BY AMP OF GREAT BRITAIN LTD.
ALL INTERNATIONAL RIGHTS RESERVED. ALL PRODUCTS MAY BE COVERED BY BRITISH AND FOREIGN PATENTS AND/OR PATENTS PENDING.
TOLERANCES UNLESS OTHERWISE STATED: DEC ± 0.5 ANGLES ± 1°

AMP
of Great Britain Ltd.
TERMINAL HOUSE
STANNORE
MIDDX.

App. B. J. S.
19/05/87

RELEASED FOR PUBLICATION
22/05/87

单击下面可查看定价，库存，交付和生命周期等信息

[>>TE Connectivity\(泰科\)](#)