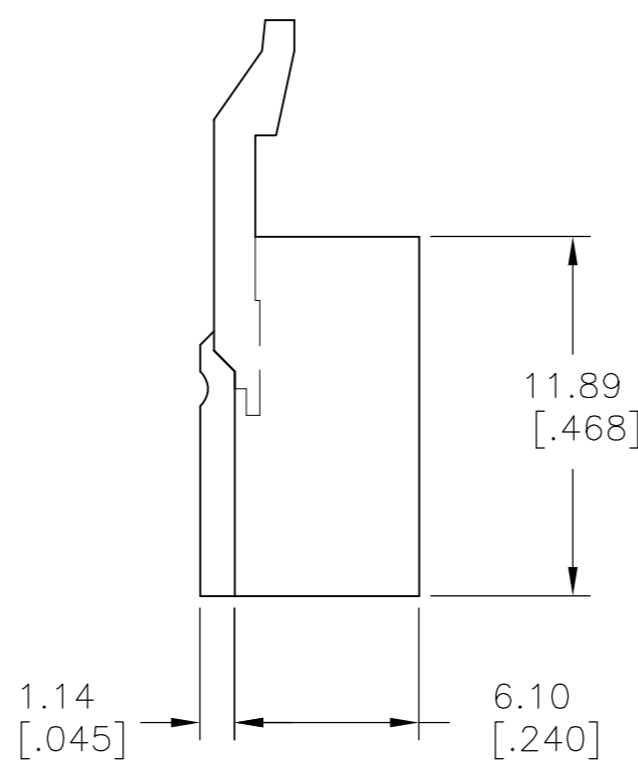
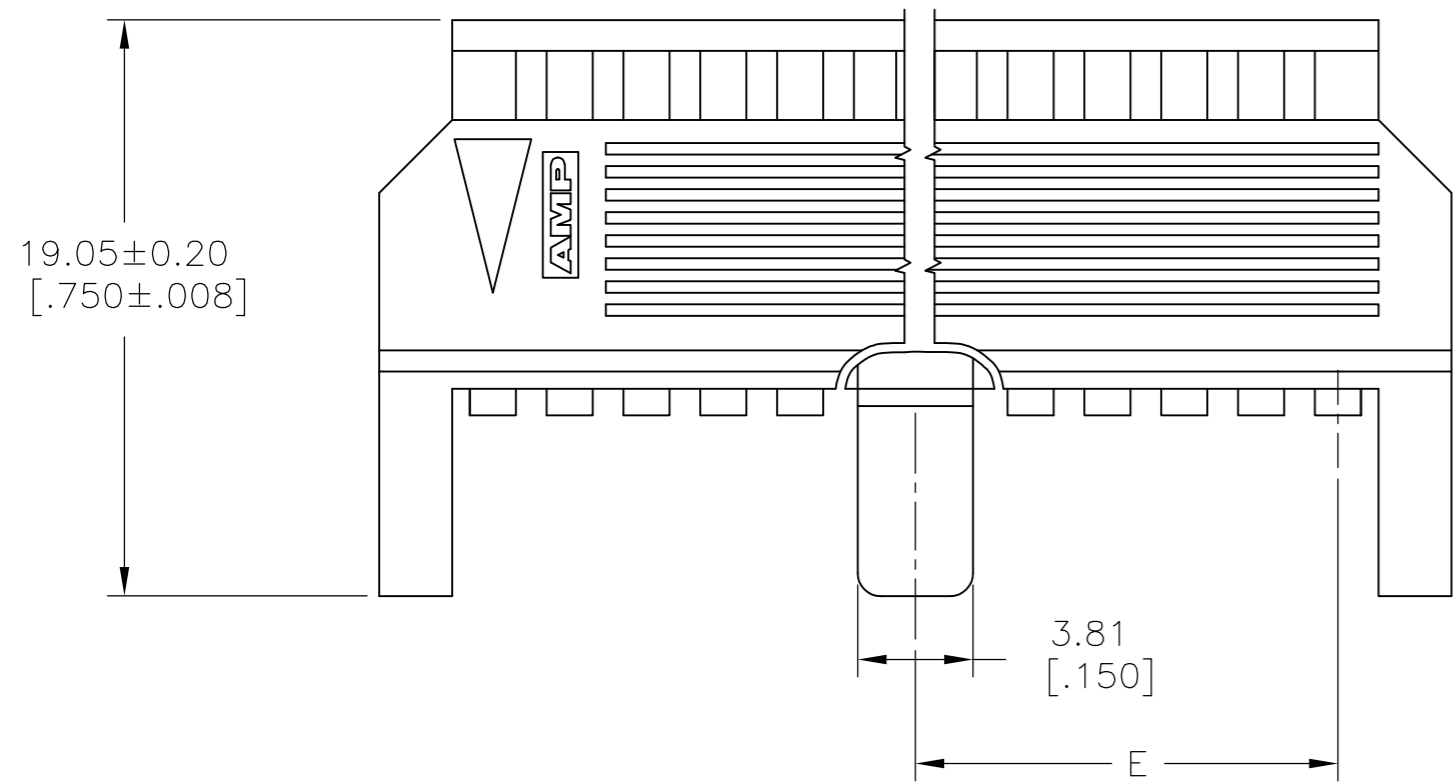
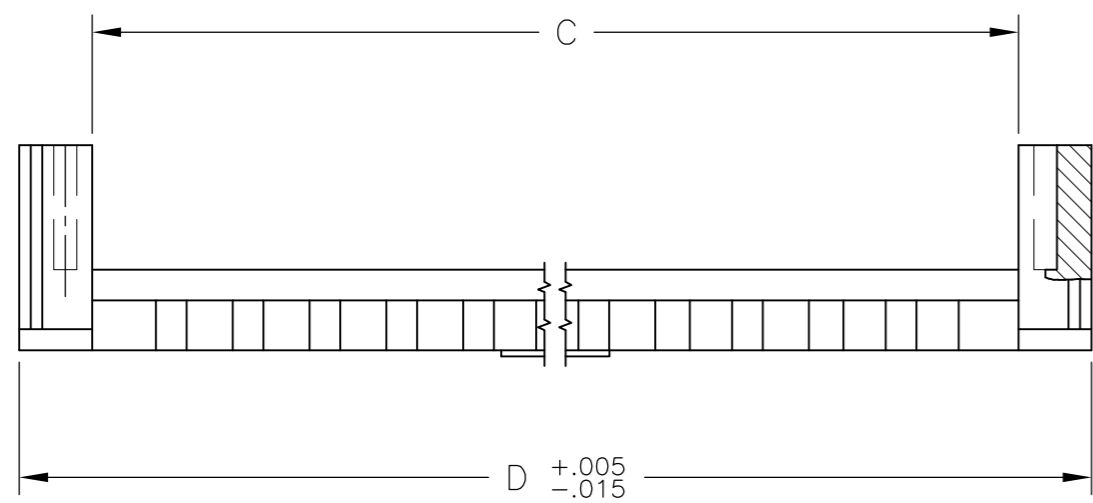
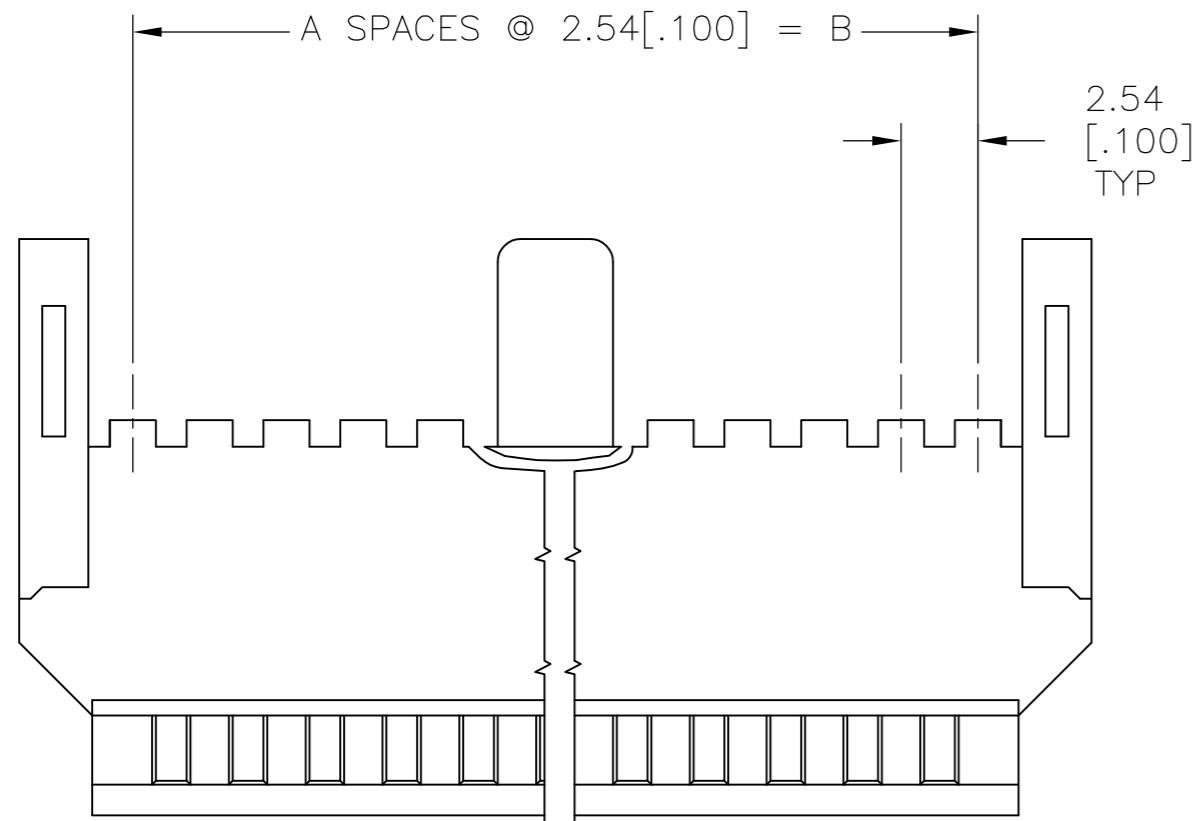


THIS DRAWING IS UNPUBLISHED. RELEASED FOR PUBLICATION
 © COPYRIGHT - By - ALL RIGHTS RESERVED.

LOC		DIST		REVISIONS			
P	LTR	DESCRIPTION		DATE	DWN	APVD	
AD	39	J		REVISED PER ECO-15-008006	17NOV2015	NK	MM



- 1 NO. OF POSITIONS INDICATED PERTAINS TO THE HOUSING.
- 2 THIS COVER IS TO BE USED WITH 102536.
- 3 NO CENTER PART ON THIS PART.
- 4 OBSOLETE PART NUMBER.
- 5 MATERIAL: FLAME RETARDANT THERMOPLASTIC, COLOR-BLACK.

E	D	C	B	A	REF. 1	NO OF POSN	PART NUMBER
44.45[1.750]	96.42[3.796]	91.59[3.606]	88.90[3.500]	35	72	4	3-102537-4
43.18[1.700]	93.88[3.696]	89.05[3.506]	86.36[3.400]	34	70	4	3-102537-3
41.91[1.650]	91.34[3.596]	86.51[3.406]	83.82[3.300]	33	68	4	3-102537-2
40.64[1.600]	88.79[3.496]	83.97[3.306]	81.28[3.200]	32	66	4	3-102537-1
39.37[1.550]	86.26[3.396]	81.43[3.206]	78.74[3.100]	31	64		3-102537-0
38.10[1.500]	83.72[3.296]	78.89[3.106]	76.20[3.000]	30	62	4	2-102537-9
36.83[1.450]	81.18[3.196]	76.35[3.006]	73.66[2.900]	29	60		2-102537-8
35.56[1.400]	78.63[3.096]	78.81[2.906]	71.12[2.800]	28	58	4	2-102537-7
34.29[1.350]	76.09[2.996]	71.27[2.806]	68.58[2.700]	27	56	4	2-102537-6
33.02[1.300]	73.55[2.896]	68.73[2.706]	66.04[2.600]	26	54	4	2-102537-5
31.75[1.250]	71.01[2.796]	66.19[2.606]	63.50[2.500]	25	52	4	2-102537-4
30.48[1.200]	68.48[2.696]	63.65[2.506]	60.96[2.400]	24	50		2-102537-3
29.91[1.150]	65.94[2.596]	61.11[2.406]	58.42[2.300]	23	48	4	2-102537-2
27.94[1.100]	63.39[2.496]	58.57[2.306]	55.88[2.200]	22	46	4	2-102537-1
26.67[1.050]	60.85[2.396]	56.03[2.206]	53.34[2.100]	21	44	4	2-102537-0
25.40[1.000]	58.31[2.296]	53.49[2.106]	50.80[2.000]	20	42	4	1-102537-9
24.13[.950]	55.78[2.196]	50.95[2.006]	48.26[1.900]	19	40		1-102537-8
22.86[.900]	53.24[2.096]	48.41[1.906]	45.72[1.800]	18	38	4	1-102537-7
21.59[.850]	50.69[1.996]	45.87[1.806]	43.18[1.700]	17	36	4	1-102537-6
20.32[.800]	48.15[1.896]	43.33[1.706]	40.64[1.600]	16	34		1-102537-5
19.05[.750]	45.62[1.796]	40.79[1.606]	38.10[1.500]	15	32		1-102537-4
17.78[.700]	43.07[1.696]	38.25[1.506]	35.56[1.400]	14	30		1-102537-3
16.51[.650]	40.53[1.596]	35.71[1.406]	33.02[1.300]	13	28		1-102537-2
15.24[.600]	37.99[1.496]	33.17[1.306]	30.48[1.200]	12	26		1-102537-1
13.97[.550]	35.45[1.396]	30.63[1.206]	27.94[1.100]	11	24		1-102537-0
12.70[.500]	32.92[1.296]	28.09[1.106]	25.40[1.000]	10	22		102537-9
11.43[.450]	30.38[1.196]	25.55[1.006]	22.86[.900]	9	20		102537-8
10.16[.400]	27.84[1.096]	23.01[.906]	20.32[.800]	8	18		102537-7
8.89[.350]	25.29[.996]	20.47[.806]	17.78[.700]	7	16		102537-6
7.62[.300]	22.76[.896]	17.93[.706]	15.24[.600]	6	14		102537-5
6.35[.250]	20.22[.796]	15.39[.606]	12.70[.500]	5	12		102537-4
5.08[.200]	17.68[.696]	12.85[.506]	10.16[.400]	4	10		102537-3
3	15.14[.596]	10.31[.406]	7.62[.300]	3	8		102537-2
3	12.59[.496]	7.77[.306]	5.08[.200]	2	6		102537-1

THIS DRAWING IS A CONTROLLED DOCUMENT.

DIMENSIONS: mm [INCHES]	TOLERANCES UNLESS OTHERWISE SPECIFIED: 0 PLC ± - 1 PLC ± - 2 PLC ± - 3 PLC ± 0.13[.005] 4 PLC ± - ANGLES ± - FINISH	DWN RAGHAVENDRA 06MAR09 CHK JEFFREY GESFORD 06MAR09 APVD JEFFREY GESFORD 06MAR09 PRODUCT SPEC APPLICATION SPEC WEIGHT -	NAME COVER - HALF, LOW PROFILE MASS TERMINATION AMPMODU, .100CL, CENTER BAR POLARIZATION
MATERIAL 5		CUSTOMER DRAWING	SIZE A2 CAGE CODE 00779 DRAWING NO C=102537 RESTRICTED TO -
		SCALE 4:1	SHEET 1 OF 1 REV J

单击下面可查看定价，库存，交付和生命周期等信息

[>>TE Connectivity\(泰科\)](#)