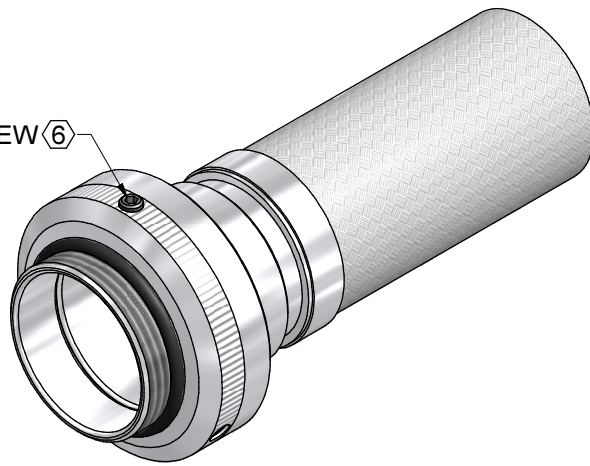


ANTI-ROTATIONAL SCREW (6)



CODE 71 - BRAID TAIL BACKSHELL

217M027-19B10

SERIES _____
 ORDER NUMBER (TABLE 1) _____
 MATERIAL _____
 REFER TO CH00-0250-004
 FINISH _____
 REFER TO CH00-0250-004
 ENTRY SIZE (TABLE 2) _____

NOTES:

1. THIS PRODUCT IS DESIGNED TO TERMINATE A HEAT SHRINKABLE LIPPED BOOT TO A CONNECTOR.
2. BACKSHELL TO BE PERMANENTLY MARKED/BAGGED AND LABELLED WITH CODE IDENTIFICATION NUMBER AND PART NUMBER. (e.g. 06090-217M012-19A08).
3. BRAID TERMINATION RING MAY BE SUPPLIED AS TINEL-LOCK SHAPE MEMORY RING AT MANUFACTURER'S OPTION.
4. SHELL SIZE PER MIL-DTL-81703, SERIES 1 & 2, CLASS E, J & P, DD, DM, DS, MDR, MDS, RTK, RSM, STK, DEUTSCH COM'L SERIES CONNECTOR
5. FOR ADDITIONAL DIMENSIONS, ORDERING INFORMATION AND MODIFICATIONS, SEE CH00-0250-004.
6. ANTI-ROTATIONAL SET SCREW, THREE M3 x 0.5 THREADED HOLES 120° APART, SINGLE MATING SET SCREW SUPPLIED.

If this document is printed it becomes uncontrolled. Check for the latest revision

DRAWN	K.WINCZURA	DATE	29/04/2015	 3RD ANGLE PROJECTION NOT TO SCALE	TITLE: BRAID TAIL BACKSHELL	 Polamco  TE connectivity
CHECKED		DATE	29/04/2015			
APPROVED	K.SHEPPARD	DATE	15/05/2015			
APPROVED	H.SMITH	DATE	02/09/2015			
UNLESS OTHERWISE SPECIFIED ALL DIMENSIONS IN MILLIMETRES GENERAL TOL LINEAR +/-0.25MM ANGULAR +/- 1°					ASSY USED ON: MIL-DTL-81703 SERIES 1 & 2	
REVISIONS						
LTR	DESCRIPTION	DATE	APPROVED			
B	REVISED PER DCR AD96005					
C	REVISED PER ECO-15-012672	02/09/2015	H.SMITH			
TE CAGE CODE: 06090 POLAMCO/TE CAGE CODE: U5792					TE CONNECTIVITY - POLAMCO LTD RESERVES THE RIGHT TO AMEND THIS DRAWING AND THERE SHOULD BE NO DEPENDENCY ON THEIR APPLICATION.	DRAWING NO: 217M0XX
					DRAWING REV: C	SHT 1

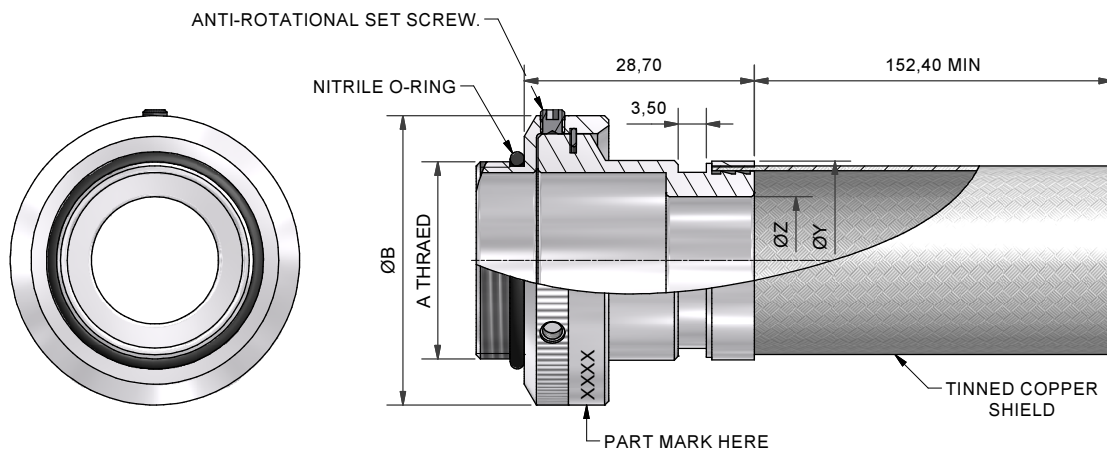


TABLE 1

ORDER NUMBER	SHELL SIZE		A THREAD	ØB MAX	MAX ENTRY
	STK. RTK	DM. DS. ETC			
08	8		3/8-32UNEF	19,8	05
03	10	3	1/2-28UNEF	22,9	05
07		7	5/8-24UNEF	26,9	07
12	14	12	3/4-20UNEF	30,0	08
19	16	19	7/8-20UNEF	33,3	10
27	18	27	1-20UNEF	36,1	15
37		37	1 3/16-18UNEF	39,6	15
61		61	1 1/2-18UNEF	45,7	16

TABLE 2

ENTRY SIZE	ØZ REF	ØY REF
03	4,77	13,1
04	6,35	13,1
05	7,92	13,1
06	9,52	17,9
07	11,12	17,9
08	12,70	17,9
09	14,27	17,9
10	15,87	24,2
11	17,47	24,2
12	19,05	24,2
13	20,62	24,2
14	22,23	30,6
15	23,82	30,6
16	25,40	30,6

If this document is printed it becomes uncontrolled. Check for the latest revision

DRAWN	K.WINCZURA	DATE	29/04/2015	 3RD ANGLE PROJECTION NOT TO SCALE	TITLE: BRAID TAIL BACKSHELL	 Polamco 	
CHECKED		DATE	29/04/2015				
APPROVED	K.SHEPPARD	DATE	15/05/2015				UNLESS OTHERWISE SPECIFIED ALL DIMENSIONS IN MILLIMETRES GENERAL TOL LINEAR +/-0,25MM ANGULAR +/- 1°
APPROVED	H.SMITH	DATE	02/09/2015				
ASSY USED ON: MIL-DTL-81703 SERIES I & 2							
REVISIONS							
LTR	DESCRIPTION	DATE	APPROVED				
B	REVISED PER DCR AD96005						
C	REVISED PER ECO-15-012672	02/09/2015	H.SMITH				
TE CAGE CODE: 06090 POLAMCO/TE CAGE CODE: U5792							
TE CONNECTIVITY - POLAMCO LTD RESERVES THE RIGHT TO AMEND THIS DRAWING AND THEREOF INDEPENDENTLY				DRAWING NO: 217M0XX DRAWING REV: C SHT 2			

单击下面可查看定价，库存，交付和生命周期等信息

[>>TE Connectivity\(泰科\)](#)