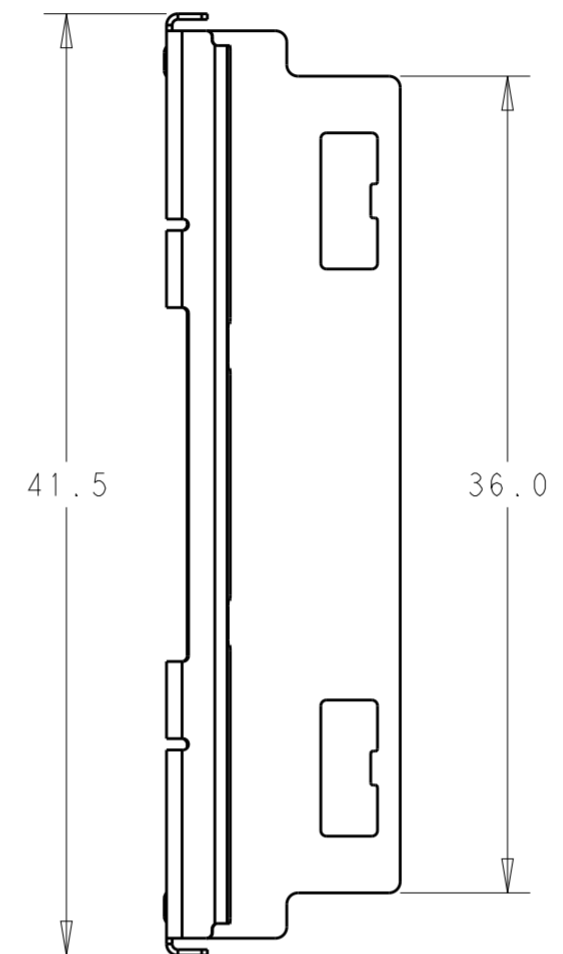
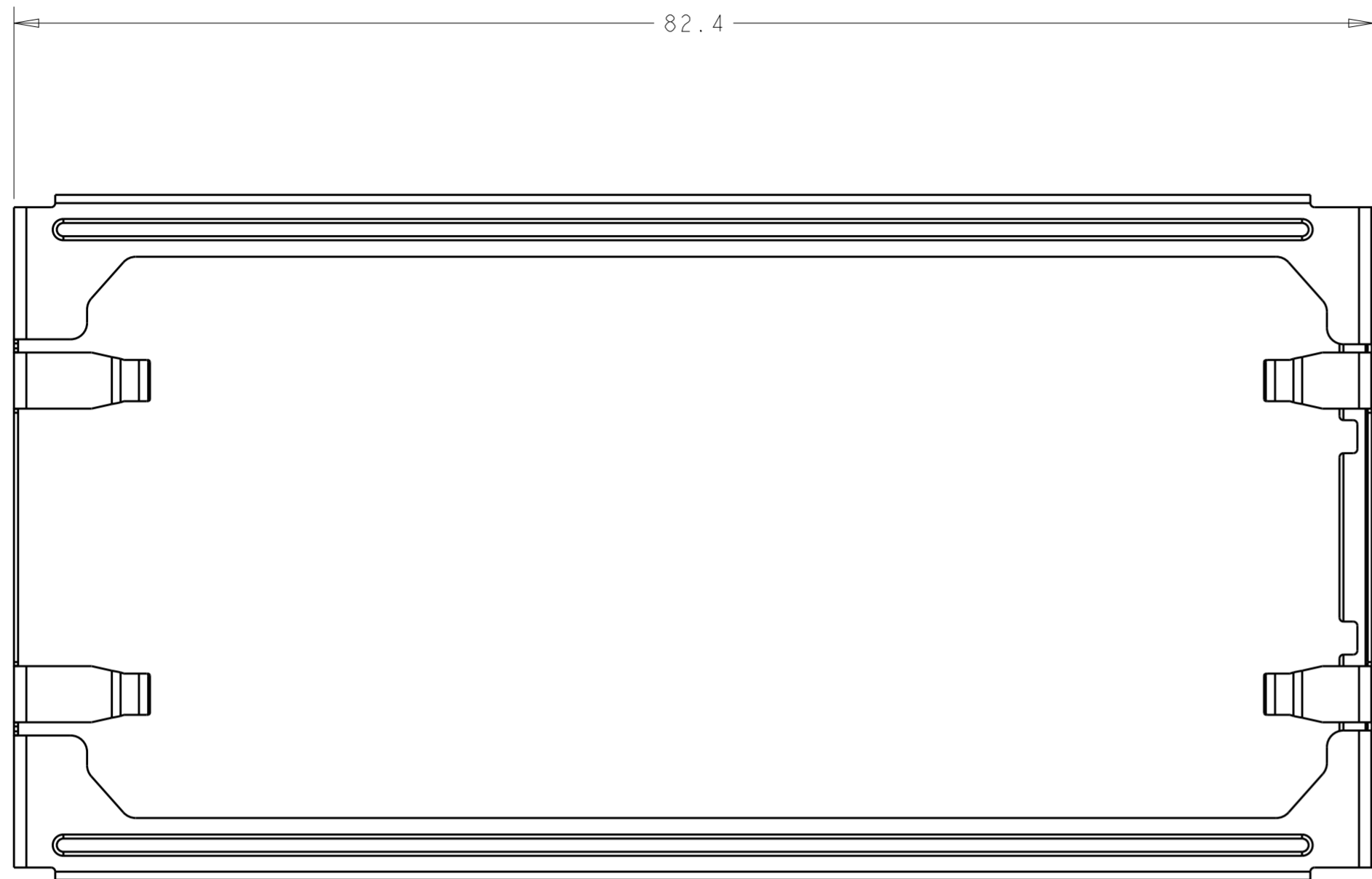
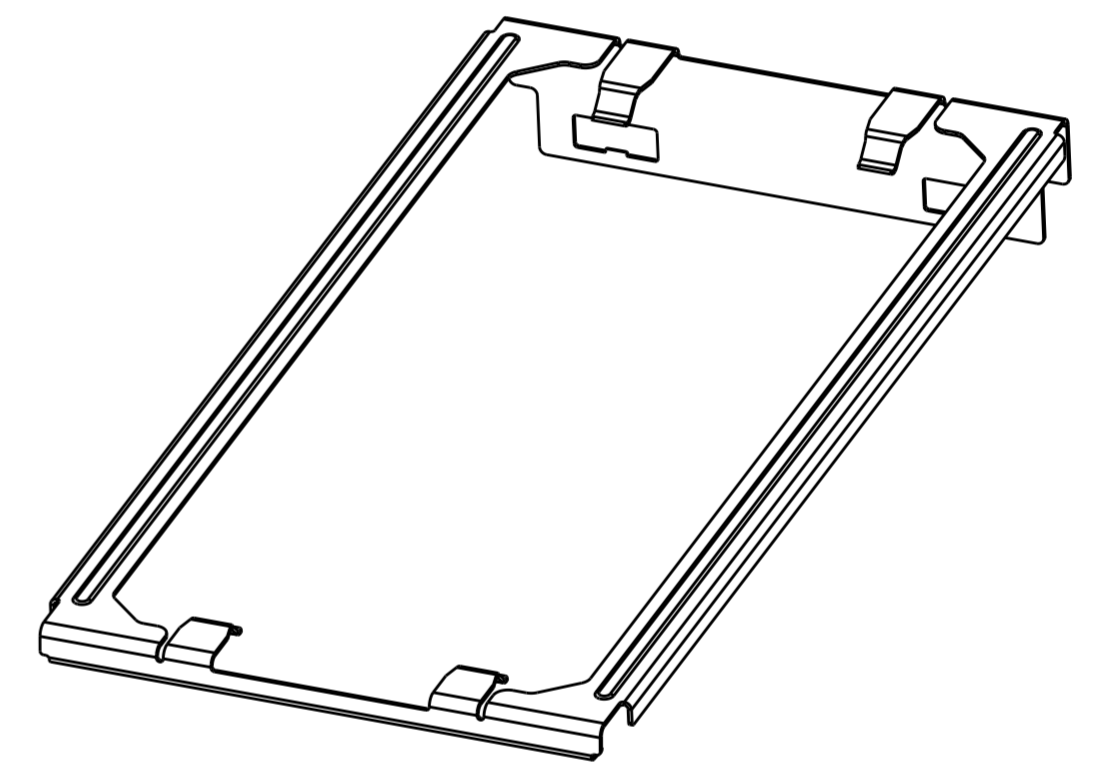


THIS DRAWING IS UNPUBLISHED. RELEASED FOR PUBLICATION 20
 © COPYRIGHT 20 BY - ALL RIGHTS RESERVED.

REVISIONS				
P	LTR	DESCRIPTION	DATE	APVD
A		INITIAL RELEASE	05JUN2018	AD SH
A1		ADD PN -4 WITHOUT FLANGE	28MAY2020	IT SH



1 MATERIAL: STAINLESS STEEL
 2 PLATING: PASSIVATE



2288220-2 3D VIEW
 SCALE 2:1



2288220-2
 PART NUMBER

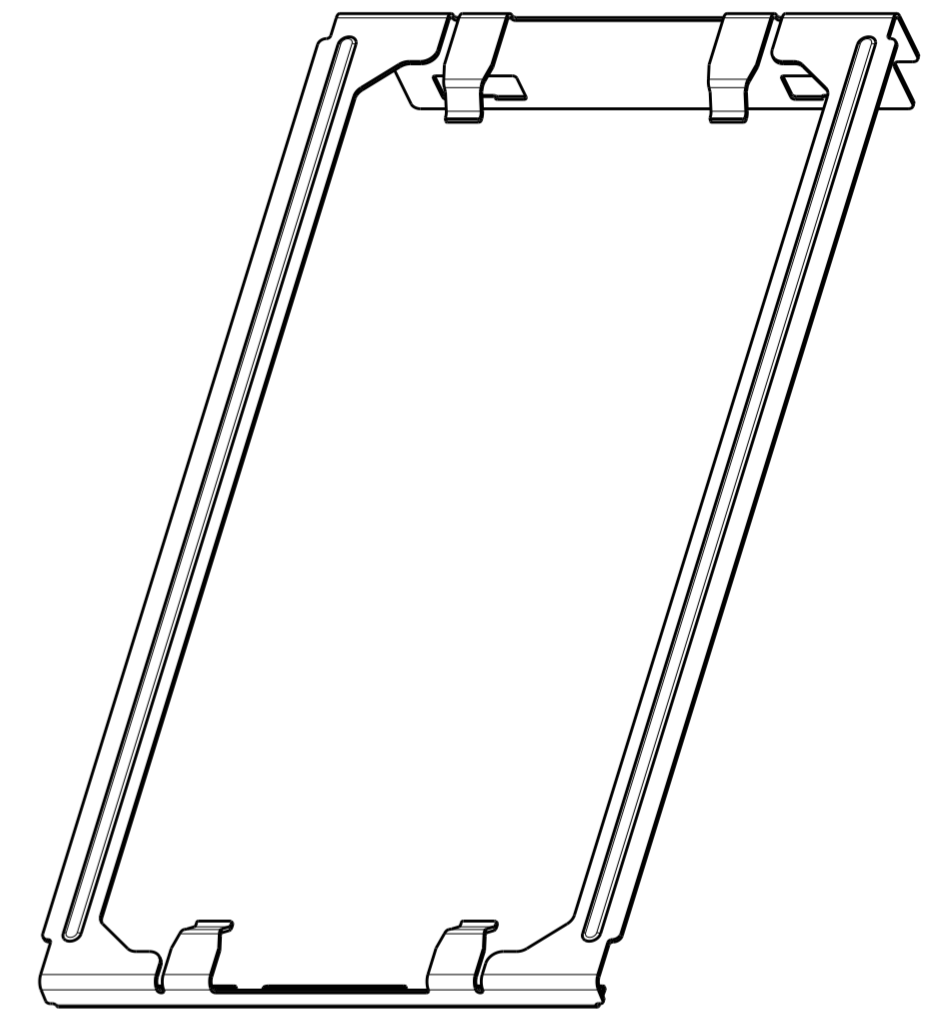
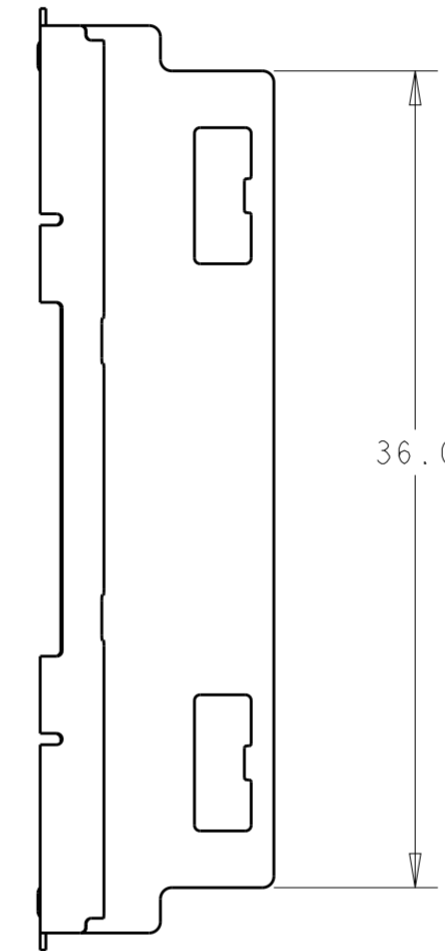
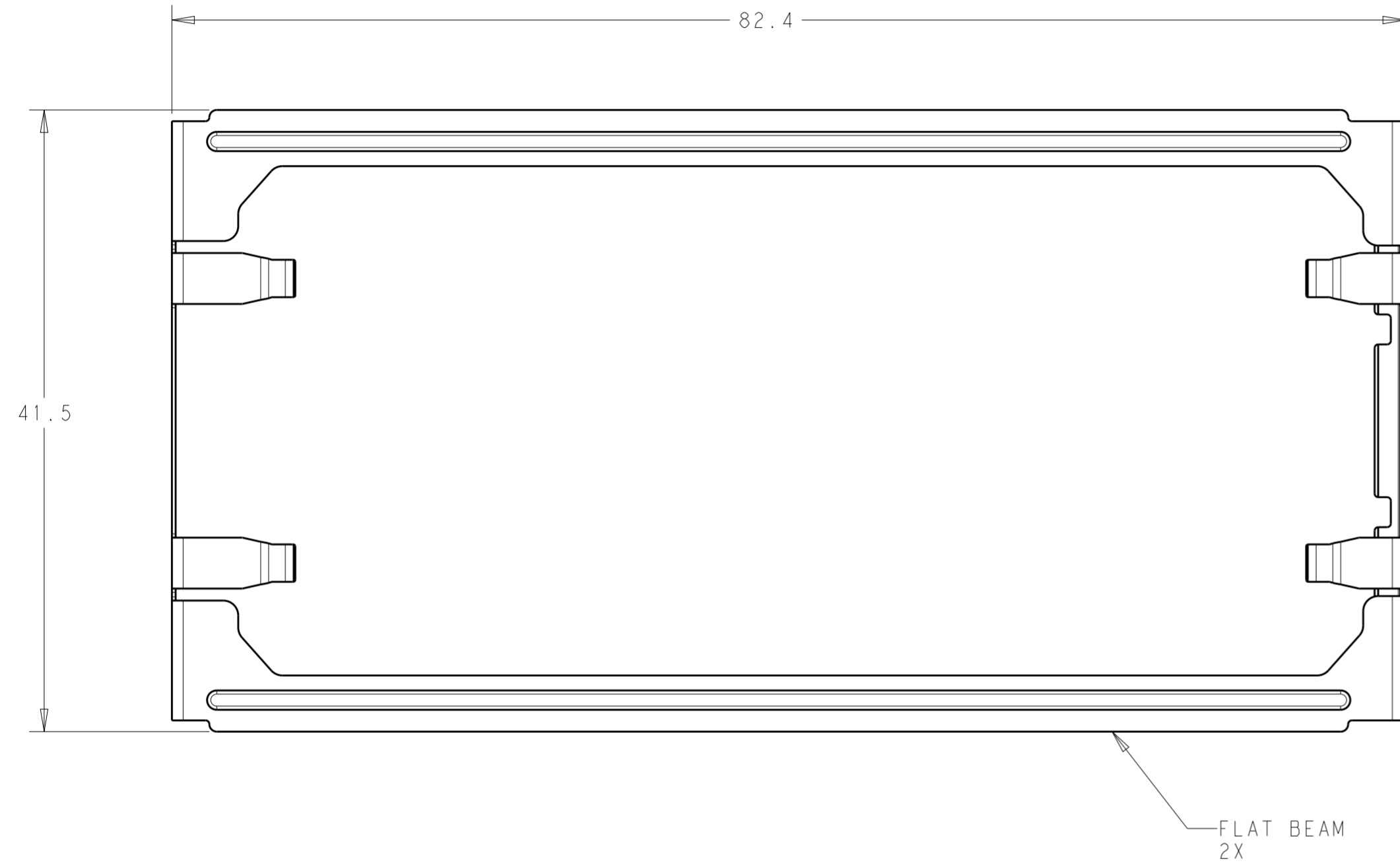
THIS DRAWING IS A CONTROLLED DOCUMENT.		DWN ANDY XIE 11OCT2016	STE TE Connectivity	
		CHK SEAN HAN 11OCT2016		
		APVD SEAN HAN 11OCT2016	NAME HEAT SINK CLIP CFP2	
DIMENSIONS:		PRODUCT SPEC	SIZE A2	
mm		APPLICATION SPEC	CAGE CODE -	
TOLERANCES UNLESS OTHERWISE SPECIFIED:		WEIGHT -	DRAWING NO C-2288220	
0 PLC ±	1 PLC ±0.30	CUSTOMER DRAWING	RESTRICTED TO -	
2 PLC ±0.25	3 PLC ±0.15	SCALE 1:1	SHEET 1 OF 2	
4 PLC ±	ANGLES ±		REV A1	
FINISH -				

THIS DRAWING IS UNPUBLISHED. RELEASED FOR PUBLICATION 20
 © COPYRIGHT 20 BY - ALL RIGHTS RESERVED.

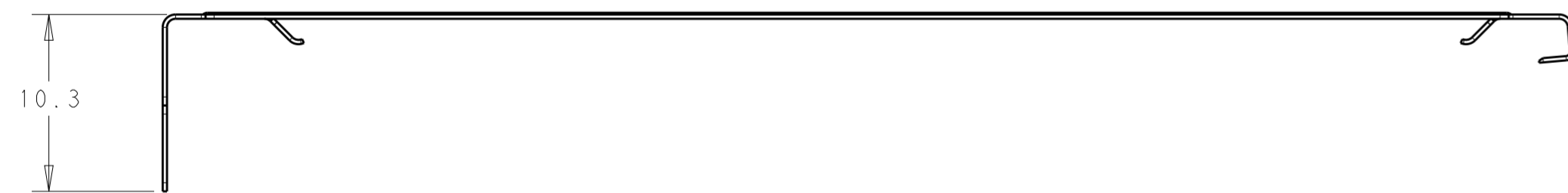
REVISIONS				
P	LTR	DESCRIPTION	DATE	APVD
-		SEE SHEET 1	-	-

2288220-4 AS SHOWN


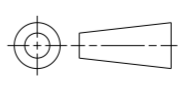
SAME AS 2288220-2 BUT WITH FLAT BEAM (WITHOUT TWO SIDE FLANGE)



2288220-4 3D VIEW
SCALE 2:1



2288220-4
PART NUMBER

THIS DRAWING IS A CONTROLLED DOCUMENT.		DWN ANDY XIE 11OCT2016	 TE Connectivity	
		CHK SEAN HAN 11OCT2016		
		APVD SEAN HAN 11OCT2016	NAME HEAT SINK CLIP CFP2	
DIMENSIONS: mm 		PRODUCT SPEC -	RESTRICTED TO -	
TOLERANCES UNLESS OTHERWISE SPECIFIED: 0 PLC ± 1 PLC ±0.30 2 PLC ±0.25 3 PLC ±0.15 4 PLC ± ANGLES ± FINISH -		APPLICATION SPEC -	SIZE A2	CAGE CODE -
MATERIAL -		WEIGHT -	DRAWING NO. C-2288220	SCALE 1:1
		CUSTOMER DRAWING	SHEET 2 OF 2	REV A1

单击下面可查看定价，库存，交付和生命周期等信息

[>>TE Connectivity\(泰科\)](#)