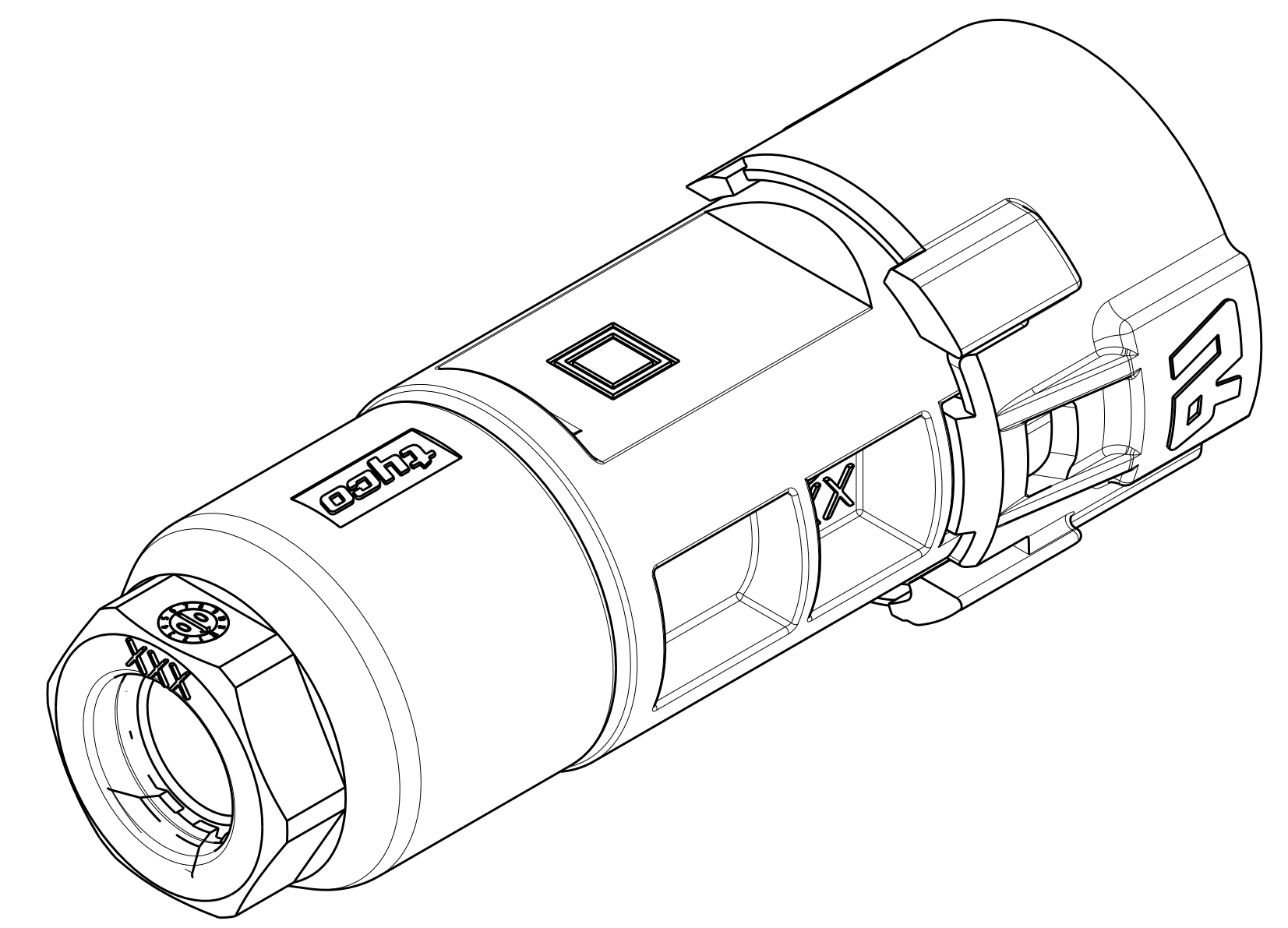
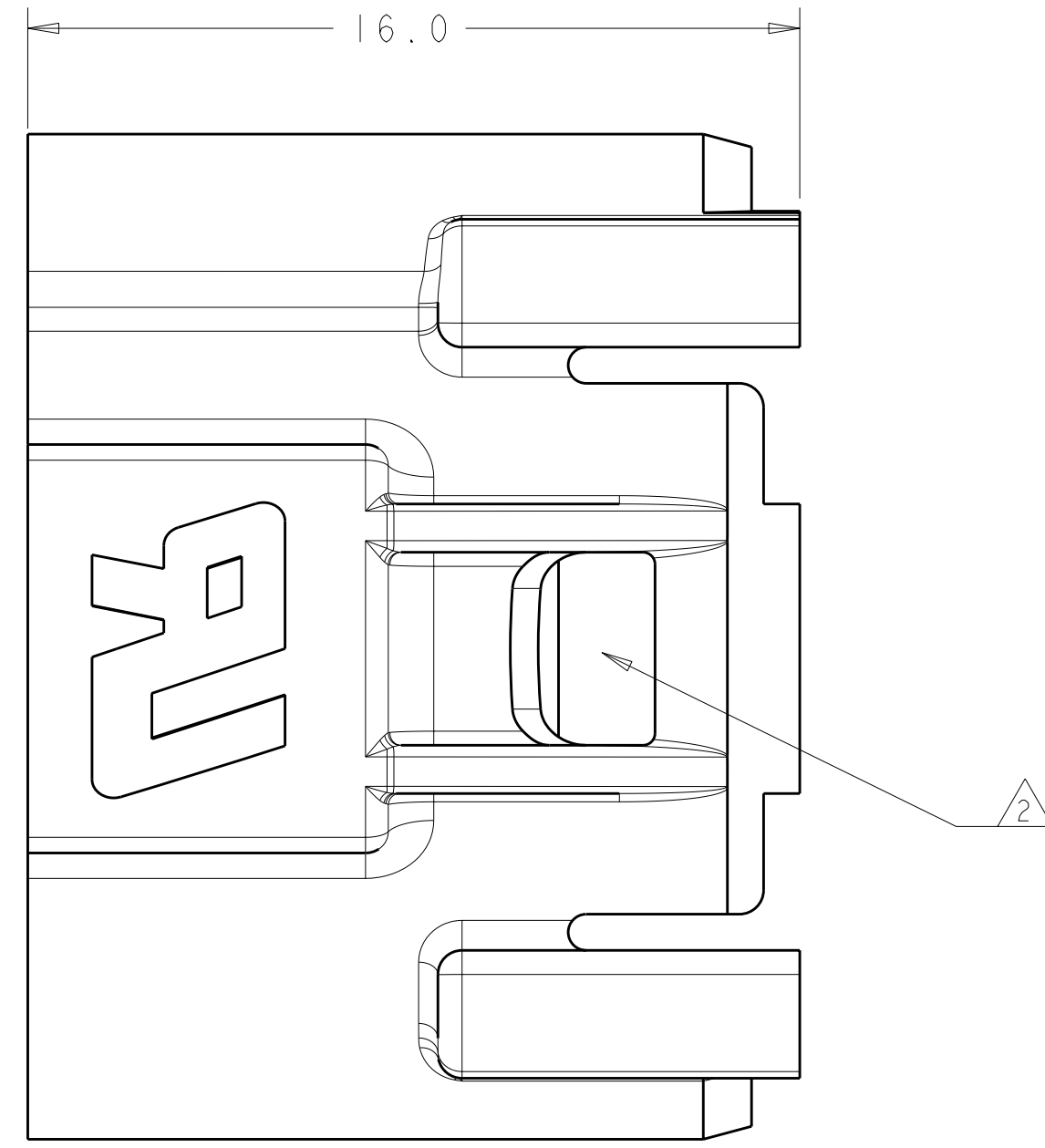
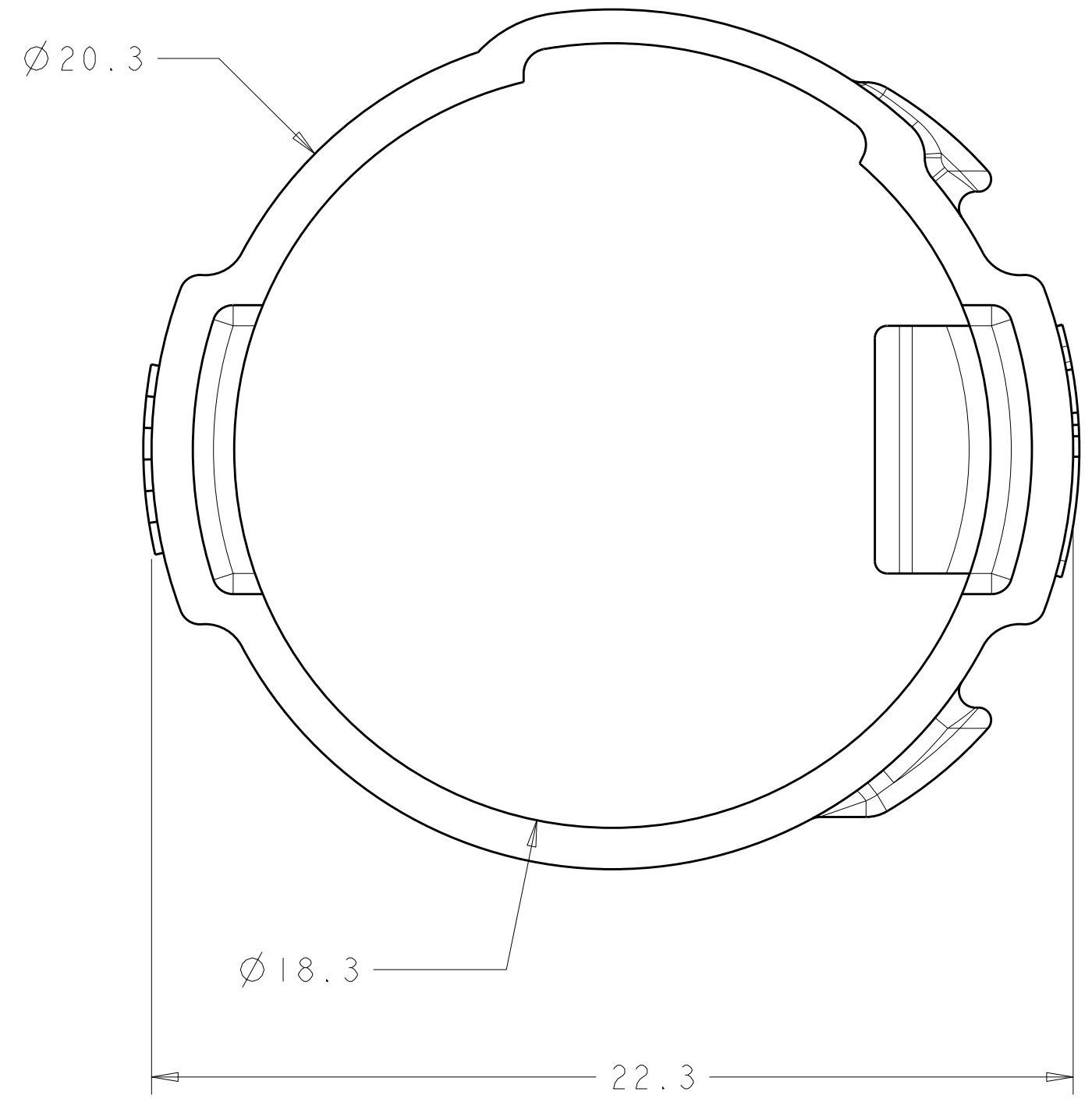
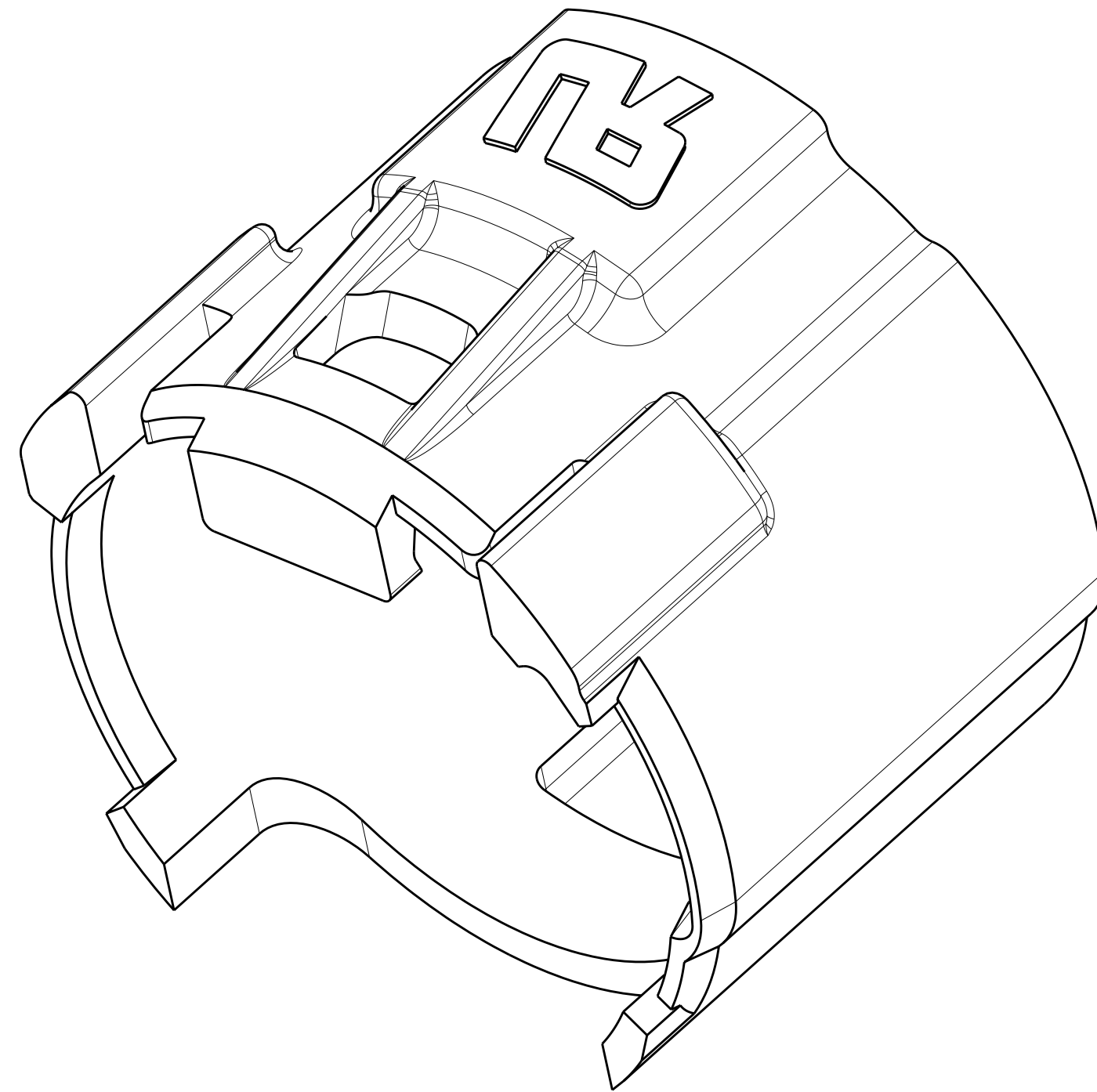
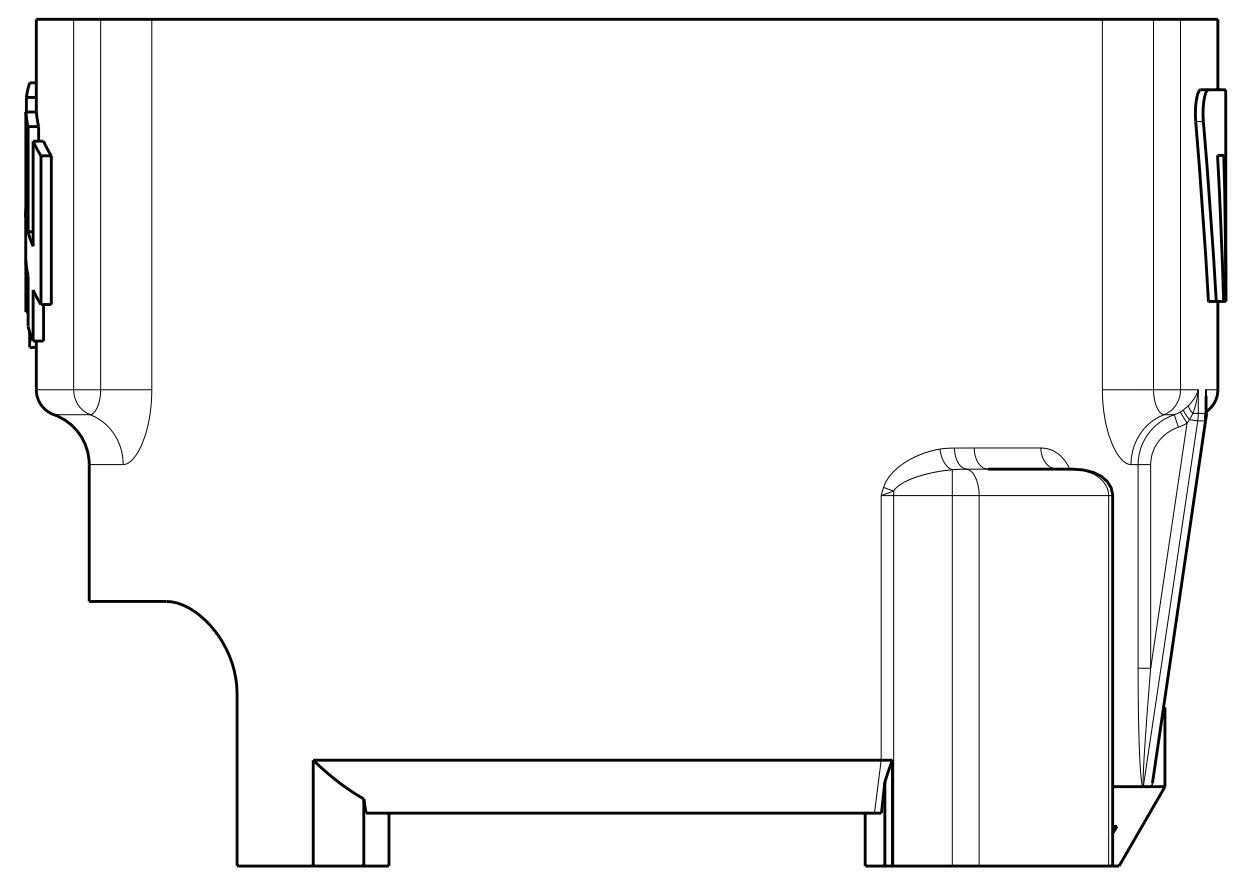


LOC	DIST	REVISIONS			
		REV	DATE	BY	CHKD
		A	08SEP2009	SS	MS
		B	23SEP2010	KT	JE
		C	27SEP2010	KT	JE

1. MATERIAL: POLYCARBONATE, UL 94, UV PROTECTED, BLACK
 ⚠ FOR INSTALLATION AND EXTRACTION SOLARLOK CONNECTORS
 FLAT BLADE SCREWDRIVER TIP WIDTH MUST NOT EXCEED 3.75.



SCALE 4:1



<small>THIS DRAWING IS UNPUBLISHED. RELEASED FOR PUBLICATION. ALL RIGHTS RESERVED. THIS IS SUBJECT TO CHANGE WITHOUT NOTICE AND WITHOUT OBLIGATION. SHOULD BE CONTACTED FOR THE LATEST REVISION.</small>		DWN: PDR 06/24/09 CHK: PDR 06/24/09 APVD: PDR 06/24/09	Tyco Electronics Harrisburg, PA 17105-3608
DIMENSIONS: mm 	TOLERANCES UNLESS OTHERWISE SPECIFIED: 0 PLC ± 1 PLC ±0.2 2 PLC ±0.13 3 PLC ± 4 PLC ± ANGLES ±	PRODUCT SPEC APPLICATION SPEC WEIGHT CUSTOMER DRAWING	NAME: SOLARLOK LOCKING COLLAR SIZE: A 00779 C=2106207 SCALE: 4:1 SHEET 1 OF 1 REV C

单击下面可查看定价，库存，交付和生命周期等信息

[>>TE Connectivity\(泰科\)](#)