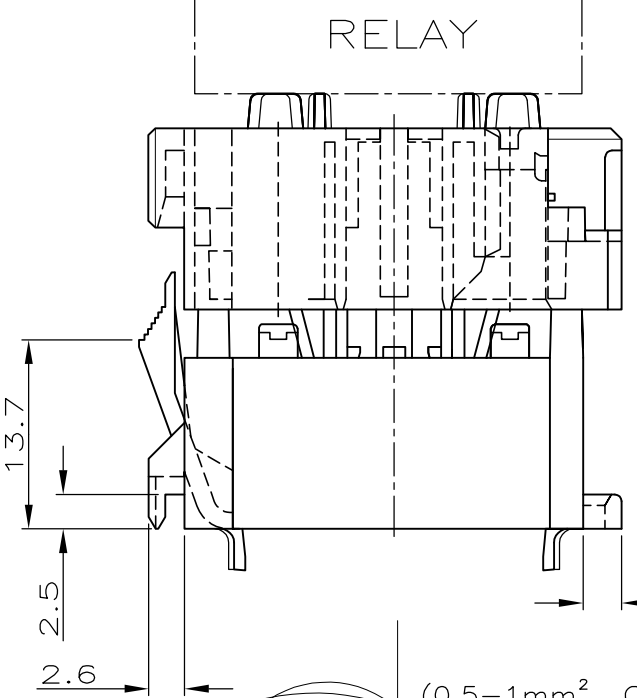
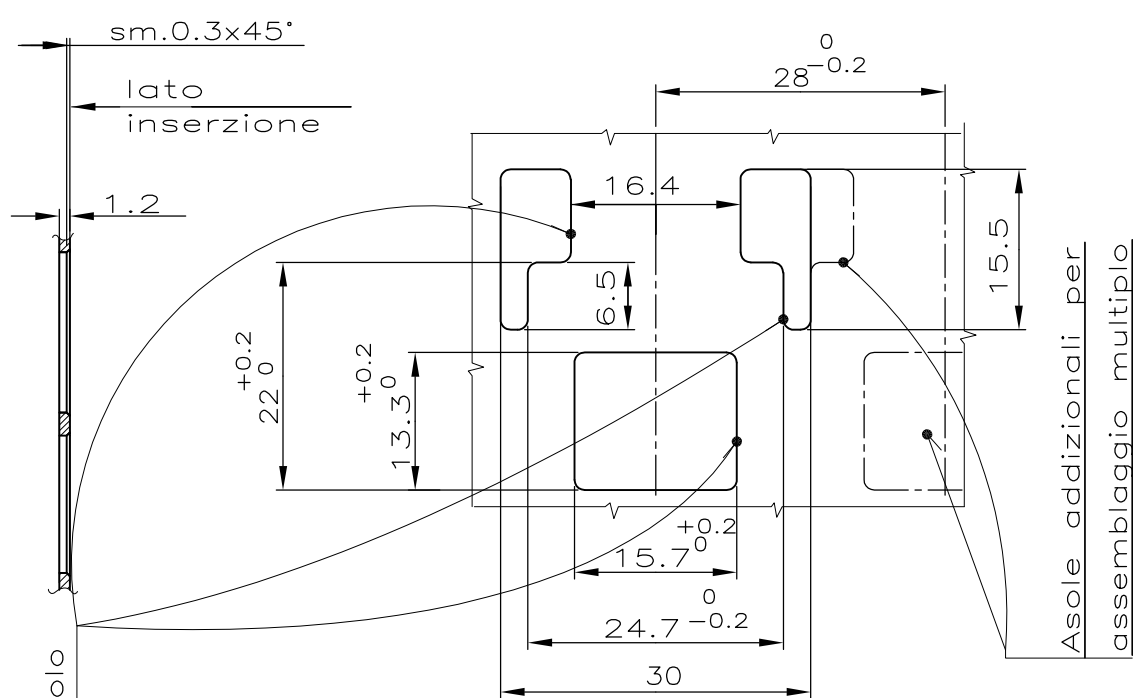


THIS DRAWING IS UNPUBLISHED. RELEASED FOR PUBLICATION  
 © COPYRIGHT - By - ALL RIGHTS RESERVED.

METRIC

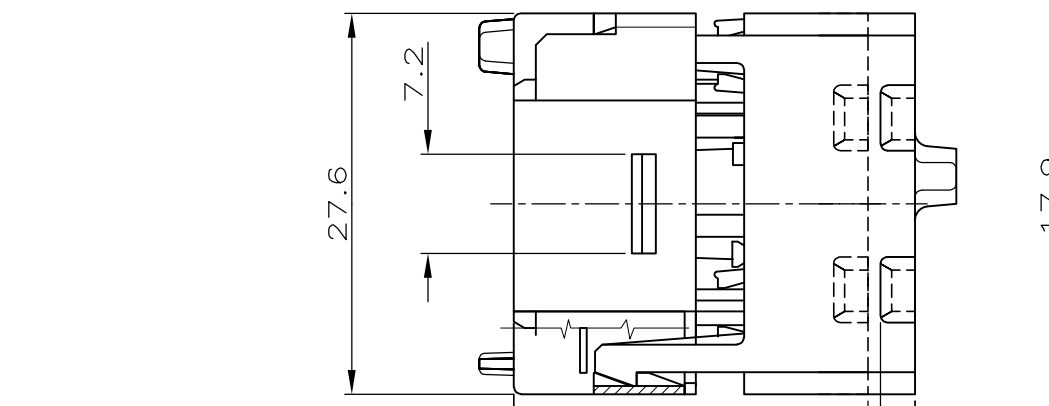
LOC		DIST		REVISIONS			
P	LTR	DESCRIPTION	DATE	DWN	APVD		
C2		REVISED PER ECO-11-005033	30MAR11	RK	HMR		
		ROSA (PINK)				△	1-282435-1
		ARANCIO (ORANGE)				△	1-282435-0
		VIOLA (VIOLET)					282435-9
		GRIGIO (GREY)					282435-8
		MARRONE (BROWN)					282435-7
		GIALLO (YELLOW)					282435-6
		BLU (BLUE)					282435-5
		VERDE (GREEN)					282435-4
		ROSSO (RED)					282435-3
		NERO (BLACK)					282435-2
		NATURALE (CLEAR)					282435-1
		FINITURA / COLORE (FINISH / COLOUR)	MATERIALE (MATERIAL)		NUMERO (PART NUMBER)		



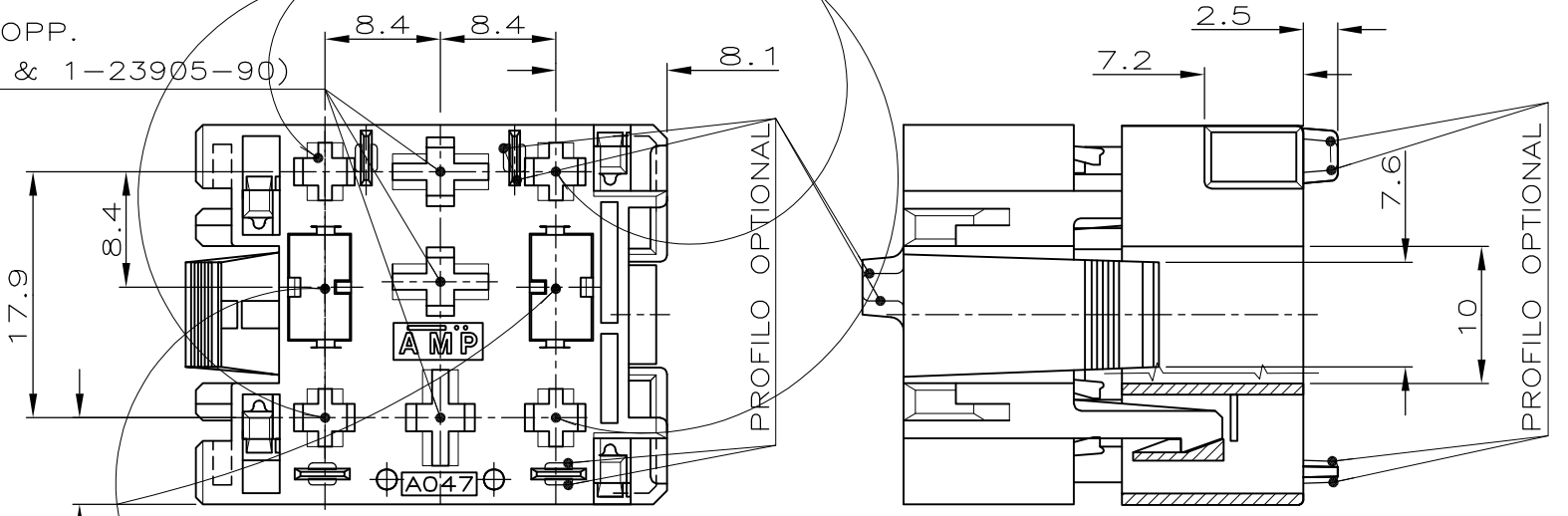
N.4 CAVITA' ADATTE PER TERMINALI  
 "AMP JUNIOR POWER TIMER" P/N: 927771-3  
 (0.5-1mm<sup>2</sup> CAVO ISOL.RIDOTTO) (EQUIVAL. N.FIAT 1-23085-90)

N.3 CAVITA' ADATTE PER TERMINALI  
 "AMP STANDARD POWER TIMER" P/N 927831-2 (0.5-1mm<sup>2</sup>) OPP.  
 P/N 927837-2 (1-2.5mm<sup>2</sup>) (EQUIVAL. N.FIAT 1-23903-90 & 1-23905-90)

Asole per assemblaggio singolo

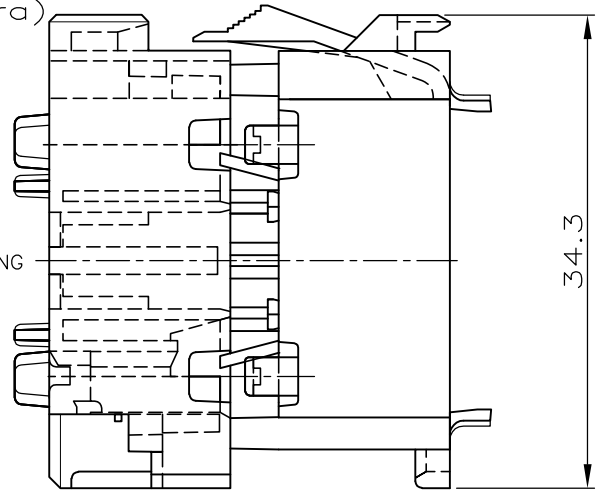


Blocchetto assemblato  
 Blocchetto pre-assemblato (Stato di fornitura)



N.2 CAVITA' ADATTE PER TERMINALI  
 "AMP POSITIVE LOCK MKI" P/N 160759-3(0.5-1.5 mm<sup>2</sup>)  
 OPP. P/N 154717-3 (2.5-4.0mm<sup>2</sup>) EQUIVALENTE N.FIAT  
 1-23364-44 & 1-23363-44; E TERMINALI AMP P/N 282167  
 PER ISOL. RIDOTTO (0.5-1.5mm<sup>2</sup>)

1 OBSOLETE PARTS: OBSOLETE CIS STREAMLINING PER D.RENAUD/D.SINISI



CUSTOMER DWG. FOR REFERENCE ONLY		DISEGNO PER CLIENTE SOLO PER RIFERIMENTO		FINITURA / COLORE (FINISH / COLOUR)	MATERIALE (MATERIAL)	NUMERO (PART NUMBER)
THIS DRAWING IS A CONTROLLED DOCUMENT.		DWN	10 JULY 1992	TE Connectivity		
		CHK	16 OCT.1992			
		APVD	-	NAME		
		PRODUCT SPEC		9 POSITION RELAY HSG.WITH SEC.LOCK		
		APPLICATION SPEC				
		WEIGHT	-	SIZE	CAGE CODE	DRAWING NO
		CUSTOMER DRAWING		A3	00779	C=282435
		SCALE	2:1	SHEET	1 of 1	REV
						C2

DIMENSIONS:	TOLERANCES UNLESS OTHERWISE SPECIFIED:
mm	
0 PLC	± -
1 PLC	± 0.3
2 PLC	± -
3 PLC	± -
4 PLC	± -
ANGLES	± 2°

DIAM. ISOLANTE (INS. DIA. RANGE)	RANGO FILO (WIRE RANGE)	MATERIAL	FINISH

单击下面可查看定价，库存，交付和生命周期等信息

[>>TE Connectivity\(泰科\)](#)