

This drawing involves proprietary design rights of Tyco Electronics Corporation, and all design, manufacture, reproduction, use and sale rights regarding the same are expressly reserved. It is submitted for a specific purpose and the recipient by accepting this drawing, assumes custody and control and agrees to take reasonable precautions; (a) that this drawing will not be copied and reproduced, in whole or in part, or its contents revealed in any manner, or to any person except to meet the purpose for which it was delivered and (b) that any special features peculiar to this design will not be incorporated in other projects without the expressed written permission of Tyco Electronics Corporation.

REVISIONS

EC	REV	DESCRIPTION	DATE
—	A	NEW RELEASE	1/31/06
CPR	B	CHANGED COPPER AND TIN PLATE SURFACE THICKNESS ON NOTE 8 - WAS .025 AND .008	2/1/06
CPR	C	REMOVED PLATED HOLE DIM.	2/2/06

6. MODULE INFORMATION

CONNECTOR	TYCO PART NUMBER	CATALOG MODULE #	QTY	SIZE NO.	CONTACT QTY	MATING PIN	MAX. CURRENT (PER CONTACT)	CONTACT SPACING	VOLTAGE RATING*	
SOCKET	6646346-1	FP0200	5	8	5	1.25 X 7.00 [.049 X .276]	35 AMPERES	7.50 [2953]	250 VOLTS	
		FP0401	1	22	24	.64 [0.025] SQ.	1 AMPERE	2.50 [0984]	125 VOLTS	
		FP0503	2	STRAIGHT GUIDE PIN						
		FP0500	1	LEFT MOUNTING FLANGE						
		FP0501	1	RIGHT MOUNTING FLANGE						

*IAW IEC-950

NOTES: UNLESS OTHERWISE SPECIFIED.

1. PART NUMBER CHANGES AND OR DESIGN CHANGES AFFECTING ITEM INTERCHANGEABILITY REQUIRE PRIOR TYCO APPROVAL AND AUTHORIZATION BY REVISION TO THIS DRAWING.

2. MATERIALS:

INSULATORS: THERMOPLASTIC, GLASS REINFORCED, COLOR BLACK, UL94V-0 FLAMMABILITY RATED.

COMPLIANT SIGNAL PIN: PHOSPHOR BRONZE ALLOY.

POWER CONTACTS: PHOSPHOR BRONZE ALLOY, COPPER ALLOY.

CROWN BANDS: COPPER ALLOY.

GUIDE PIN: BRASS ALLOY.

3. FINISHES:

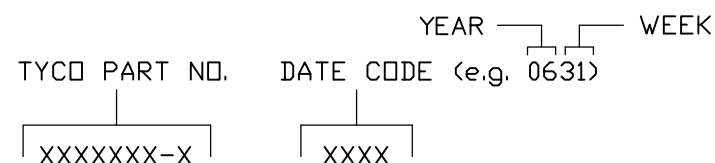
CONTACTS: GOLD PLATE .000030" MIN. THK, OVER NICKEL .000040" MIN. THICKNESS.

TERMINALS: TIN PLATE, MATTE FINISH 000040" MIN. THICKNESS.

GUIDE PIN: NICKEL PLATE.

▲ MOUNTING FLANGES ACCEPT M3 OR NO. 4 SCREWS, (USER SUPPLIED).

5. ITEMS PROVIDED TO THIS SPECIFICATION TO BE PERMANENTLY IDENTIFIED PER THE FOLLOWING IDENTIFIER:

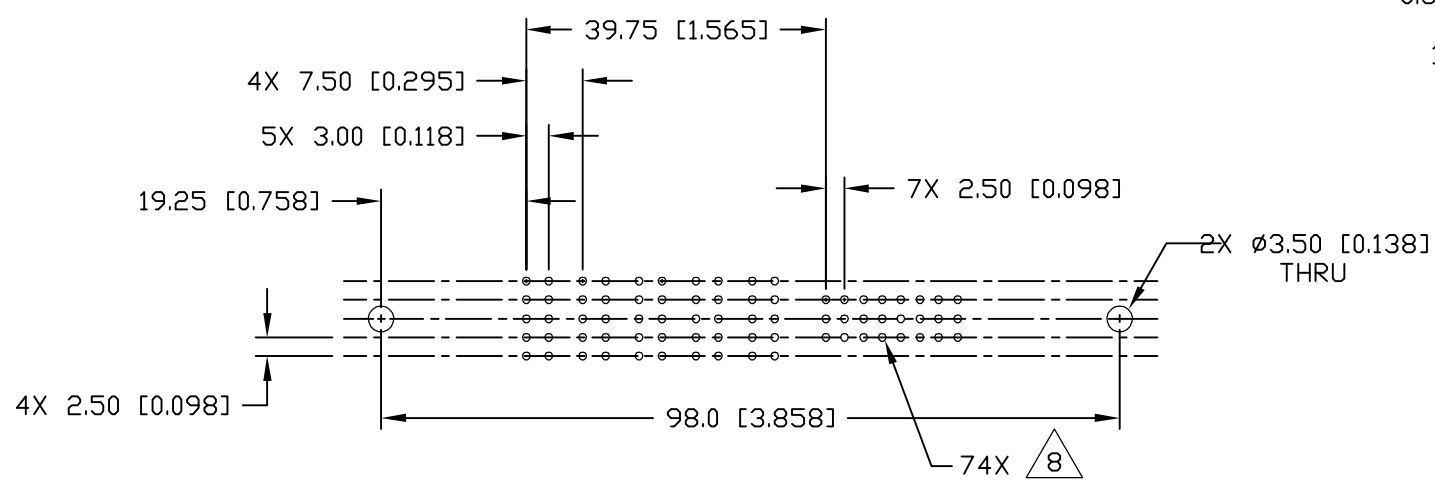
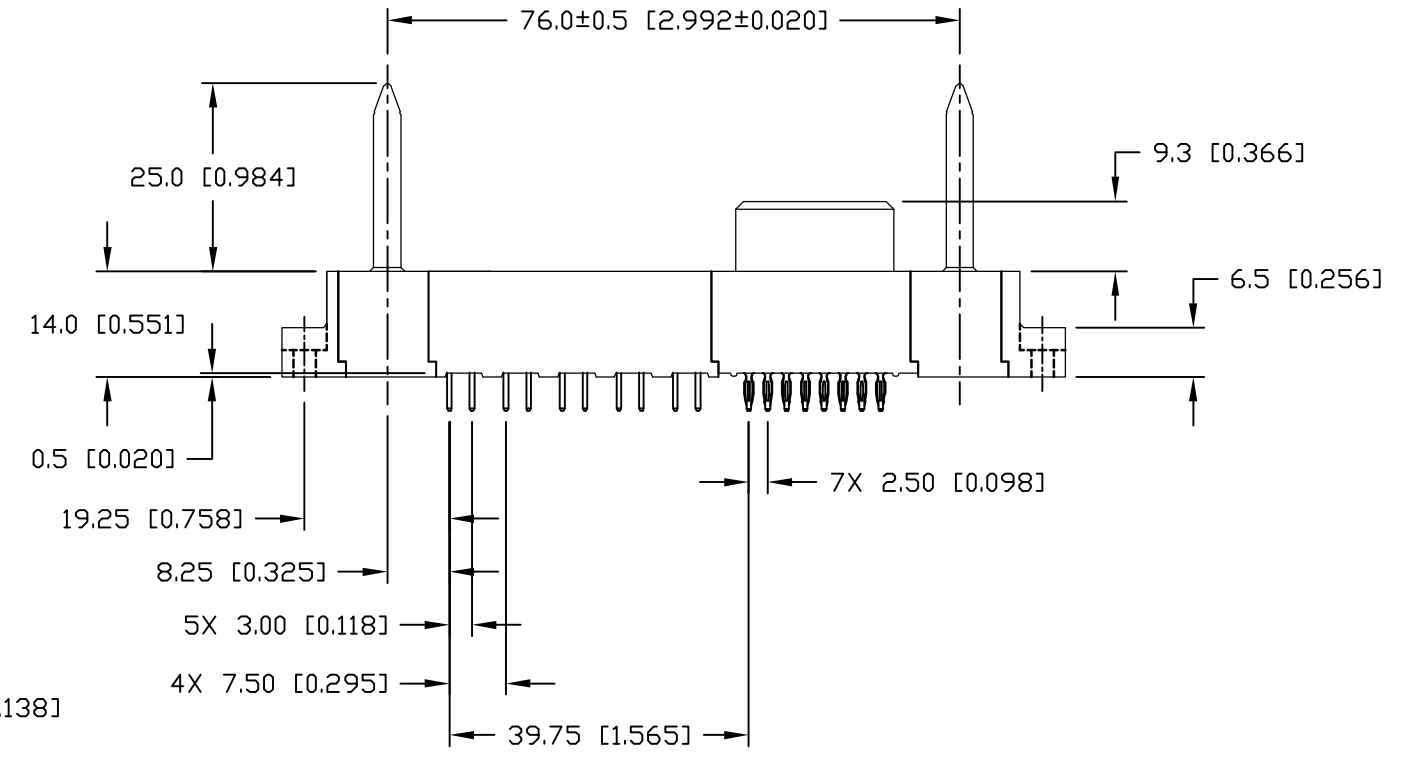
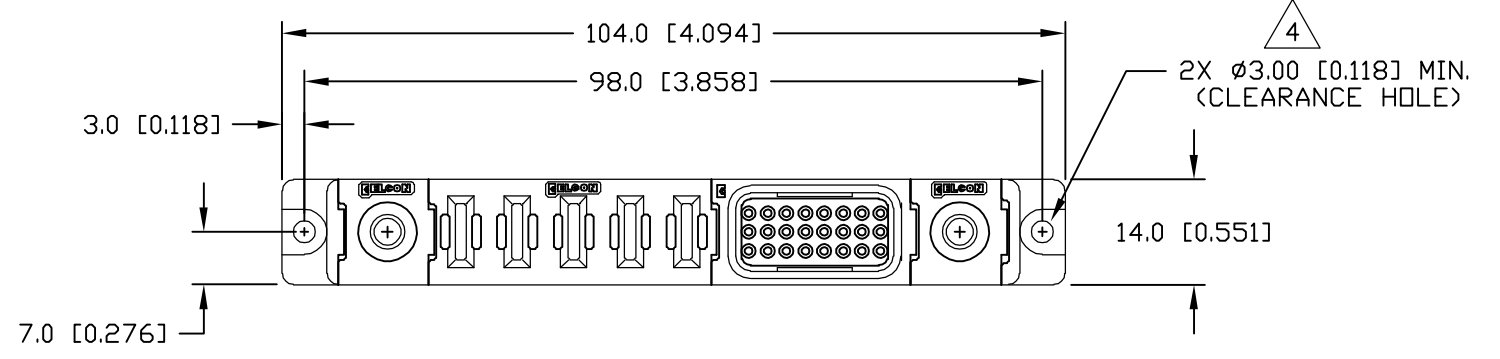
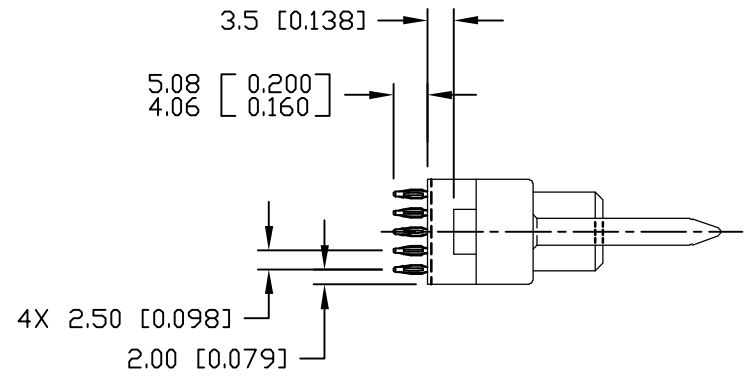


TYCO PART NUMBER
6646346-1

 THIRD ANGLE PROJECTION UNLESS OTHERWISE SPECIFIED DIMENSIONS ARE IN METRIC [INCHES] TOLERANCES ANGLES ± .5° DECIMALS .XX ± .25 [0.010] .X ± .5 [0.020]	DRAWN R. F. A. CHECKED APPROVED APPROVED D. CHAU DCA APPROVED ACAD FILE NUMBER	DATE 1/31/06 2/1/06	 Tyco Electronics Corporation Menlo Park, Ca 94025 		TITLE SOCKET CONNECTOR, FLATPAQ STRAIGHT, COMPLIANT TAILS
			SIZE	DWG NUMBER	REV.
			B	C = 6646346	C
			C6646346C.DWG		DWG SCALE 1=1 SH 1 OF 3

This drawing involves proprietary design rights of Tyco Electronics Corporation, and all design, manufacture, reproduction, use and sale rights regarding the same are expressly reserved. It is submitted for a specific purpose and the recipient by accepting this drawing, assumes custody and control and agrees to take reasonable precautions; (a) that this drawing will not be copied and reproduced, in whole or in part, or its contents revealed in any manner, or to any person except to meet the purpose for which it was delivered and (b) that any special features peculiar to this design will not be incorporated in other projects without the expressed written permission of Tyco Electronics Corporation.

REVISIONS			
EC	REV	DESCRIPTION	DATE
		SEE SHEET 1	



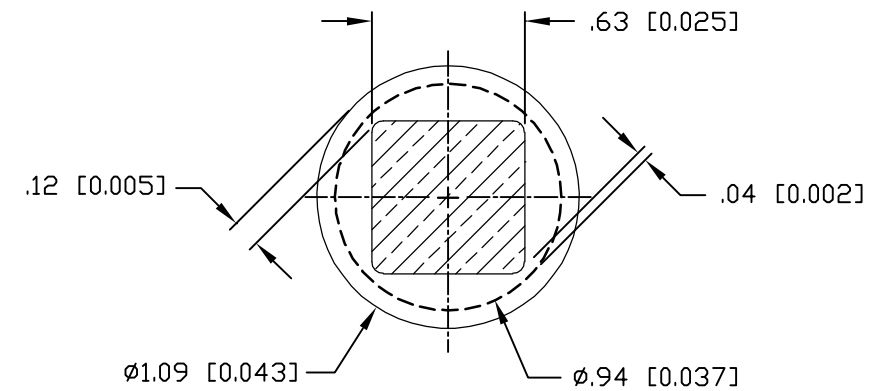
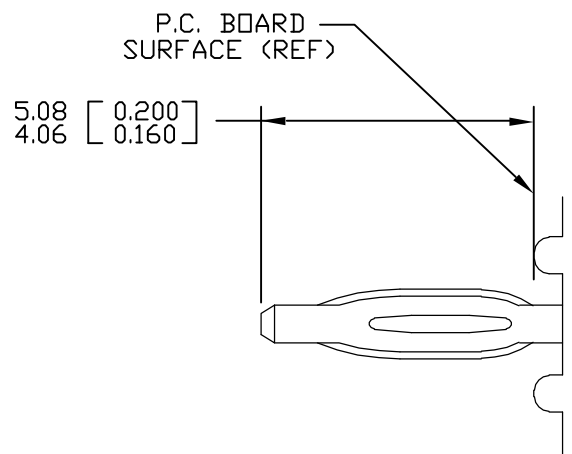
PRINTED CIRCUIT LAYOUT

← MM OR MM [INCH] INCH THIRD ANGLE PROJECTION UNLESS OTHERWISE SPECIFIED DIMENSIONS ARE IN METRIC [INCHES] TOLERANCES ANGLES ± .5° DECIMALS .XX ± .25 [0.010] .X ± .5 [0.020]	DRAWN R. F. A.	DATE 1/31/06	tyco Tyco Electronics Corporation Electronics Menlo Park, Ca 94025		ELCON
	CHECKED	APPROVED	APPROVED D. CHAU 2/1/06	TITLE SOCKET CONNECTOR, FLATPAQ STRAIGHT, COMPLIANT TAILS	
DCA APPROVED	ACAD FILE NUMBER	C6646346C.DWG	SIZE B	DWG NUMBER C = 6646346	REV. C
			DWG SCALE 1=1	SH 2 OF 3	

This drawing involves proprietary design rights of Tyco Electronics Corporation, and all design, manufacture, reproduction, use and sale rights regarding the same are expressly reserved. It is submitted for a specific purpose and the recipient by accepting this drawing, assumes custody and control and agrees to take reasonable precautions; (a) that this drawing will not be copied and reproduced, in whole or in part, or its contents revealed in any manner, or to any person except to meet the purpose for which it was delivered and (b) that any special features peculiar to this design will not be incorporated in other projects without the expressed written permission of Tyco Electronics Corporation.

REVISIONS

EC	REV	DESCRIPTION	DATE
		SEE SHEET 1	

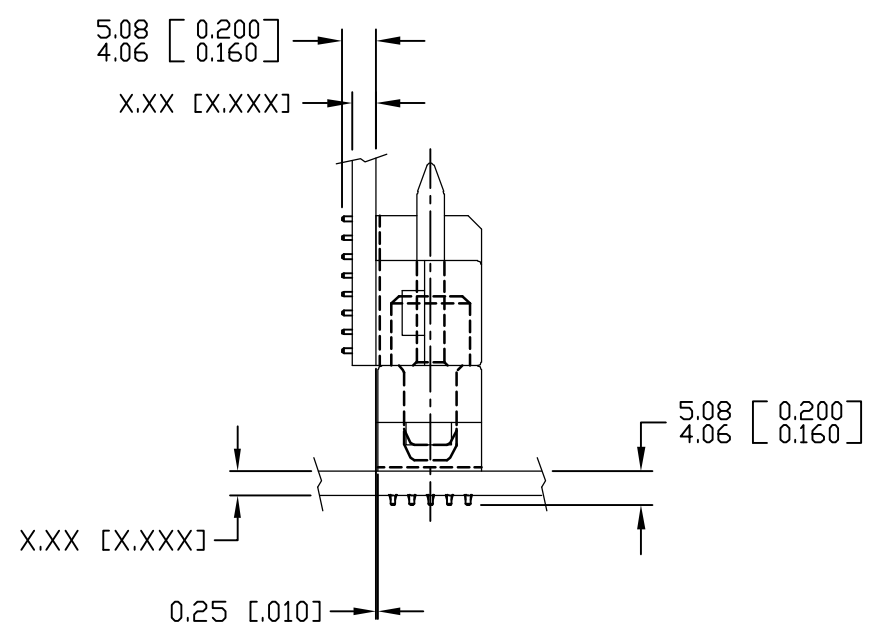


7. COMPLIANT PIN DETAIL
INSERTION/EXTRACTION FORCES

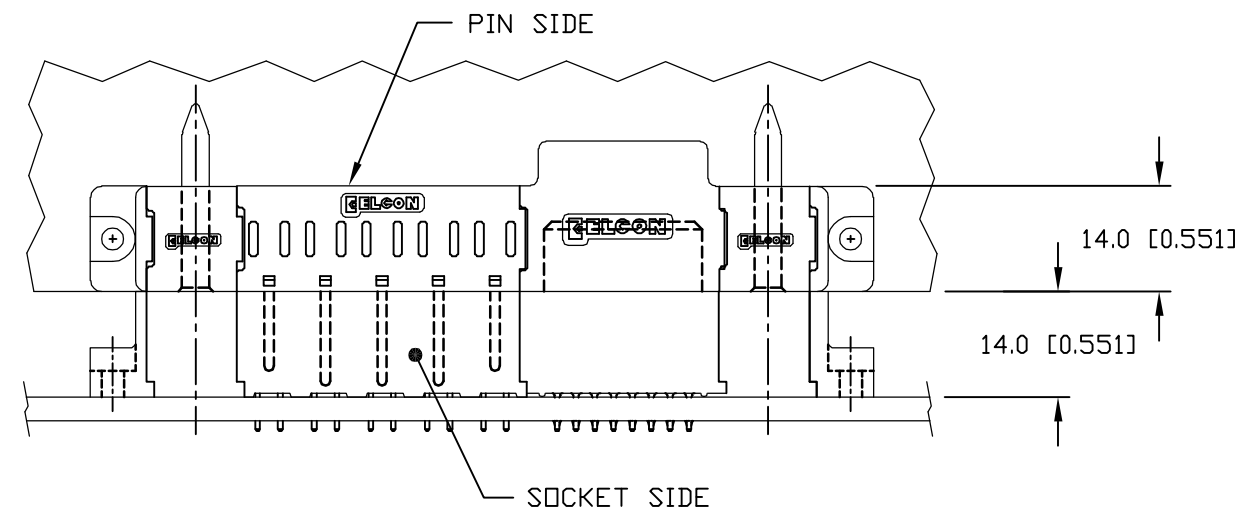
MAXIMUM PUSH-IN: 133.3N PER PIN
[30 LBS]
MINIMUM PUSH-OUT: 44.4N PER PIN
[10 LBS]

8. SOLDER TERMINATION AREA

RECOMMENDED PRINTED CIRCUIT HOLE
DRILLED HOLE: $\phi 1.15 [0.0453] \pm 0.13 [0.0005]$
COPPER PLATE: .025-.050 [0.001-.002] MINIMUM (PER SURFACE)
TIN PLATE: .0005 [0.00002] MINIMUM (PER SURFACE)



MATED CONDITION



← MM OR MM [INCH] INCH THIRD ANGLE PROJECTION UNLESS OTHERWISE SPECIFIED DIMENSIONS ARE IN METRIC [INCHES] TOLERANCES ANGLES $\pm .5^\circ$ DECIMALS .XX $\pm .25 [0.010]$.X $\pm .5 [0.020]$	DRAWN R. F. A. CHECKED APPROVED APPROVED D. CHAU DCA APPROVED ACAD FILE NUMBER	DATE 1/31/06 2/1/06	 Tyco Electronics Corporation Menlo Park, Ca 94025 	TITLE USER INFORMATION COMPLIANT TAIL TERMINATION AND MATED CONDITION	SIZE B	DWG NUMBER C = 6646346	REV. C
	C6646346C.DWG		DWG SCALE 1=1	SH 3 OF 3			

单击下面可查看定价，库存，交付和生命周期等信息

[>>TE Connectivity\(泰科\)](#)