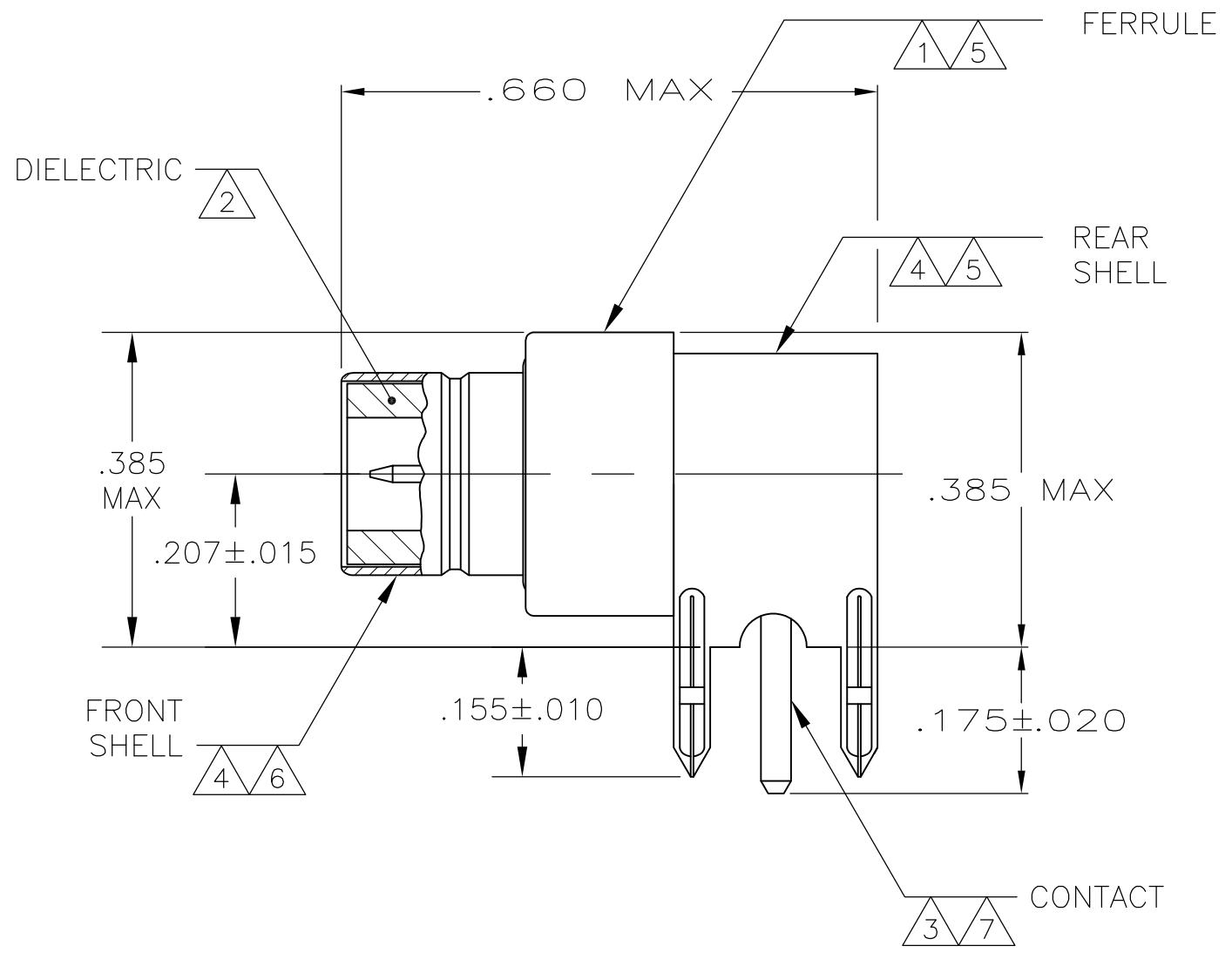
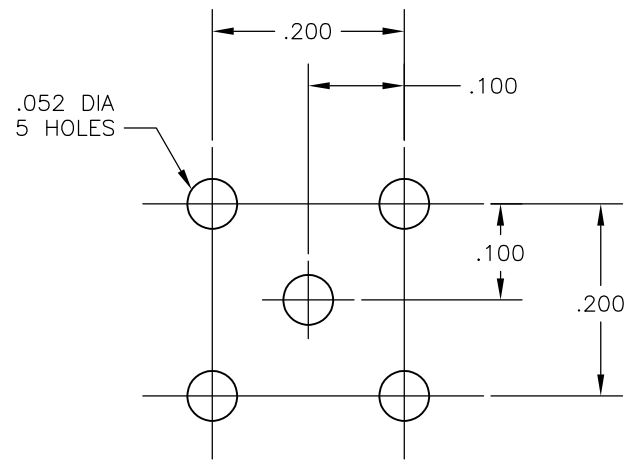


THIS DRAWING IS UNPUBLISHED. RELEASED FOR PUBLICATION
 © COPYRIGHT - BY TYCO ELECTRONICS CORPORATION. ALL RIGHTS RESERVED.

LOC	DIST	REVISIONS					
AJ	17	P	LTR	DESCRIPTION	DATE	DWN	APVD
			D	REVISED PER ECO-10-009236	05MAY10	HMR	KW



- 1 COPPER ALLOY
- 2 POLYPROPYLENE, GENERAL PURPOSE.
- 3 BRASS PER ASTM-B-16.
- 4 BRASS PER ASTM-B-36.
- 5 TIN PLATE PER ASTM-B-545.
- 6 NICKEL PLATE PER QQ-N-290.
- 7 GOLD PLATE PER ASTM-B-488.



RECOMMENDED PCB HOLE CONFIGURATION

221014-1
 PART NUMBER

THIS DRAWING IS A CONTROLLED DOCUMENT.		DWN T.SMITH 9-26-83	Tyco Electronics Corporation Harrisburg, Pa 17105-3608		
DIMENSIONS: INCHES		CHK D.S.HEIDE 11-8-83	NAME		
TOLERANCES UNLESS OTHERWISE SPECIFIED:		APVD M.NOLL 11-8-83	CONNECTOR, PCB SERIES SMB		
0 PLC ± -		PRODUCT SPEC	SIZE		
1 PLC ± -		APPLICATION SPEC	CAGE CODE	DRAWING NO	RESTRICTED TO
2 PLC ± -		—	—	—	—
3 PLC ± .002		—	A3	00779	C-221014-1
4 PLC ± -		—	SCALE 5:1 SHEET 1 OF 1 REV D		
ANGLES ± -		—			
MATERIAL SEE NOTES		FINISH SEE NOTES	CUSTOMER DRAWING		

单击下面可查看定价，库存，交付和生命周期等信息

[>>TE Connectivity\(泰科\)](#)