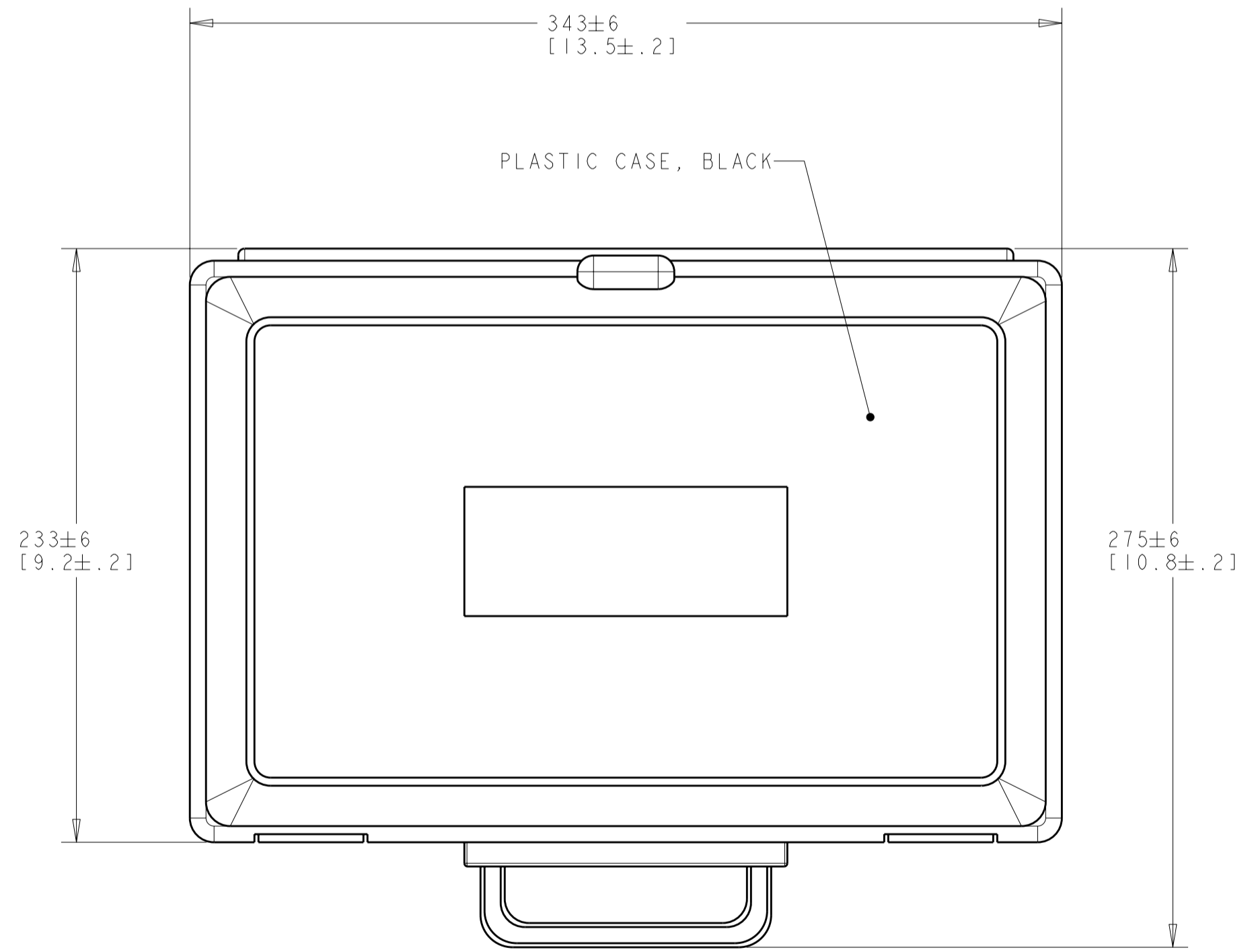
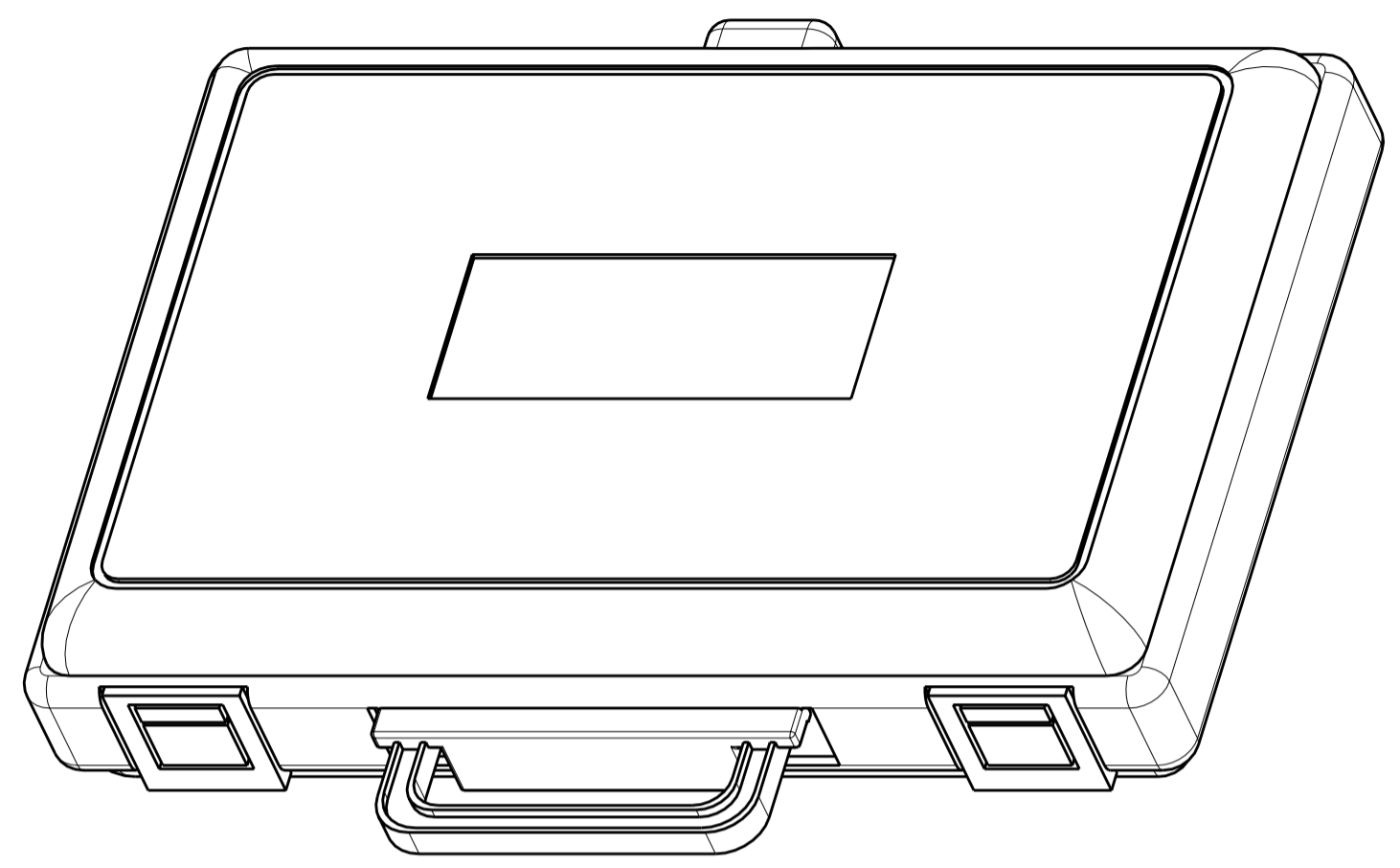
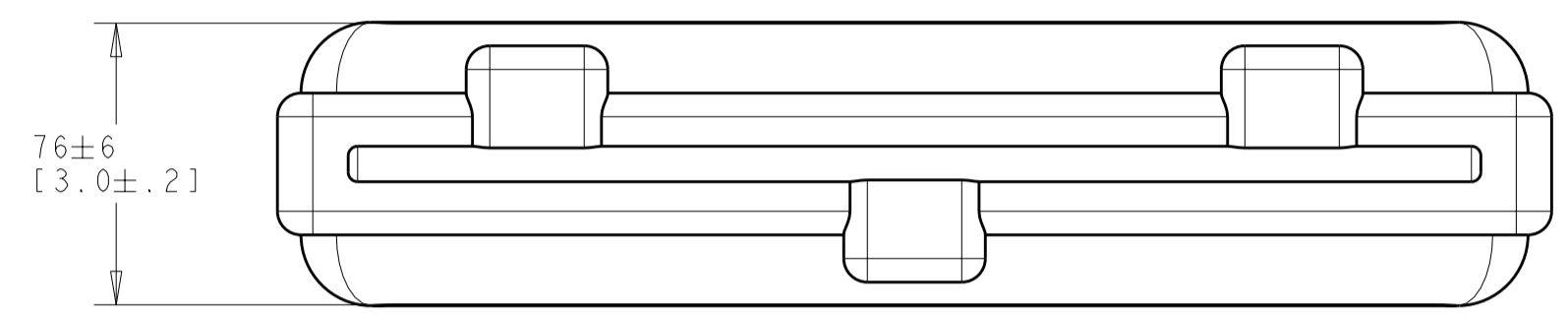


THIS DRAWING IS UNPUBLISHED. RELEASED FOR PUBLICATION .19  
 © COPYRIGHT 19 BY AMP INCORPORATED. ALL RIGHTS RESERVED.

LOC	DIST	REVISIONS					
		F	LTR	DESCRIPTION	DATE	DWN	APVD
CE	00		I	NPR 05-766	15NOV2005	BB	DK
			A	REVISE PER ECR-06-007845	07APR2006	BB	DK
			B	REVISE PER ECR-07-001527	20FEB2007	BB	DK



- 1828869-1 INCLUDES LC TO LC SIMPLEX CABLE ASSEMBLY (2), LC TO SC SIMPLEX CABLE ASSEMBLY (2), AND DUPLEX CLIPS (6).
- 1828869-2 INCLUDES LC TO LC SIMPLEX CABLE ASSEMBLY (2), LC TO ST SIMPLEX CABLE ASSEMBLY (2), AND DUPLEX CLIPS (6).
- 1828869-3 INCLUDES LC TO LC CABLE ASSEMBLY (4) AND DUPLEX CLIPS (6).

<b>OBSOLETE</b>	LC SIMPLEX	1828869-6
<b>OBSOLETE</b>	ST SIMPLEX	1828869-5
<b>OBSOLETE</b>	SC SIMPLEX	1828869-4
	LC	1828869-3
	ST SIMPLEX	1828869-2
	SC SIMPLEX	1828869-1
TEST EQUIPMENT CONNECTION		PART NUMBER

THIS DRAWING IS A CONTROLLED DOCUMENT FOR AMP INCORPORATED. IT IS SUBJECT TO CHANGE AND THE CONTROLLING ENGINEERING ORGANIZATION SHOULD BE CONTACTED FOR THE LATEST REVISION.		DWN B. BRIGGS 15NOV2005	<b>AMP</b> AMP Incorporated Harrisburg, PA 17105-3608
DIMENSIONS: mm [INCHES]		CHK D. KIRSCH 15NOV2005	
TOLERANCES UNLESS OTHERWISE SPECIFIED: 0 PLC ±- 1 PLC ±- 2 PLC ±- 3 PLC ±- 4 PLC ±- ANGLES ±- FINISH -		APVD S. BUCHTER 15NOV2005	NAME LC TEST CABLE KIT, SINGLEMODE
MATERIAL		PRODUCT SPEC	SIZE A2
		APPLICATION SPEC	CAGE CODE 00779
		WEIGHT	DRAWING NO 1828869
CUSTOMER DRAWING			SCALE NTS
			SHEET 1 OF 1 REV B

单击下面可查看定价，库存，交付和生命周期等信息

[>>TE Connectivity\(泰科\)](#)