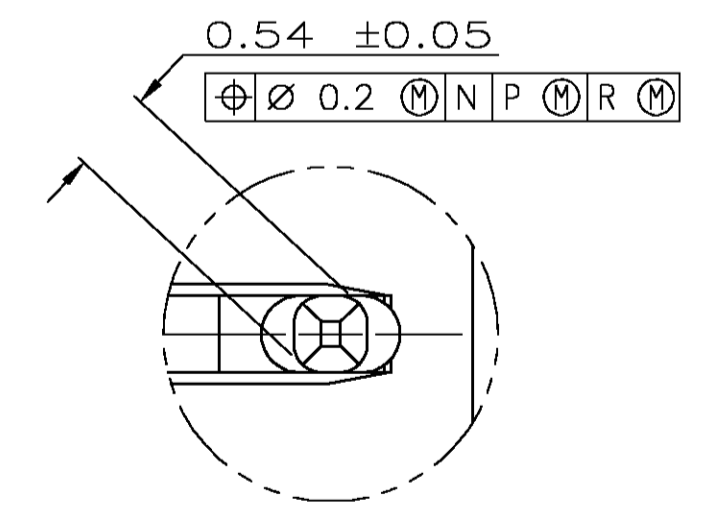


RECOMMENDED CIRCUIT PATTERN  
 PER IPC-D300 TYPE II, CLASS C  
 (COMPONENT SIDE)

- 1 HOUSING MATERIAL: LIQUID CRYSTAL POLYMER, COLOR: NATURAL.
- 2 CONTACT MATERIAL: PHOSPHOR BRONZE
- 3 CONTACT FINISH:(D)  
 UNDERPLATE (ENTIRE CONTACT):  
 0.00127 MIN NICKEL PER SAE-AMS-QQ-N-290  
 ON MATING SURFACES:  
 FLASH GOLD PER ASTM B 488, OVER  
 0.00076 MIN PALLADIUM-NICKEL OVER UNDERPLATE, OR  
 0.00076 MIN GOLD PER ASTM B 488 OVER UNDERPLATE.  
 ON LEADS:  
 0.00127 MIN MATTE TIN PER ASTM B 545 OVER UNDERPLATE.  
 LUBRICATION (MIN MATING SURFACES):  
 SURFACE CONDITIONER AFTER PLATING.
- 4 PART MARKING LOCATED APPROXIMATELY AS SHOWN.

ROW	D	AC	AC
C		AB	AB
B		AA	AA
A		AC	AC
1 2 3 4 5 6			
POWER			
POSITION			

CODE LETTER	MATING POST LENGTH ±0.1	LEAD LENGTH (REF)
AA	6.5	4.25
AB	7.25	4.25
AC	8	4.25



DETAIL Z  
 SCALE 20:1

6	1	10	5	11.88	3	8	5536634-1
E	D	C	B	A	FINISH	NO OF POWER POSN	PART NUMBER

THIS DRAWING IS A CONTROLLED DOCUMENT.		DMN R. BUCHHEISTER 23/OCT/98	Tyco Electronics Corporation Harrisburg, Pa 17105-3608
DIMENSIONS: mm [INCHES]		CHK K. DUSCHA 23/OCT/98	
TOLERANCES UNLESS OTHERWISE SPECIFIED:		APVD K. DUSCHA 23/OCT/98	ASSEMBLY, PIN, POWER, VERTICAL, Z-PACK 2mm FB, 4 ROW, PRESS FIT LEADS, SEQUENCED
0 PLC ± -		PRODUCT SPEC	
1 PLC ± -		APPLICATION SPEC	SIZE: A1 CAGE CODE: 00779 DRAWING NO: 5536634 WEIGHT: -
2 PLC ± 0.13[.005]		RESTRICTED TO	
3 PLC ± -		CUSTOMER DRAWING	SCALE: 4:1
4 PLC ± -			SHEET 1 OF 1
ANGLES ± -			REV 0

单击下面可查看定价，库存，交付和生命周期等信息

[>>TE Connectivity\(泰科\)](#)