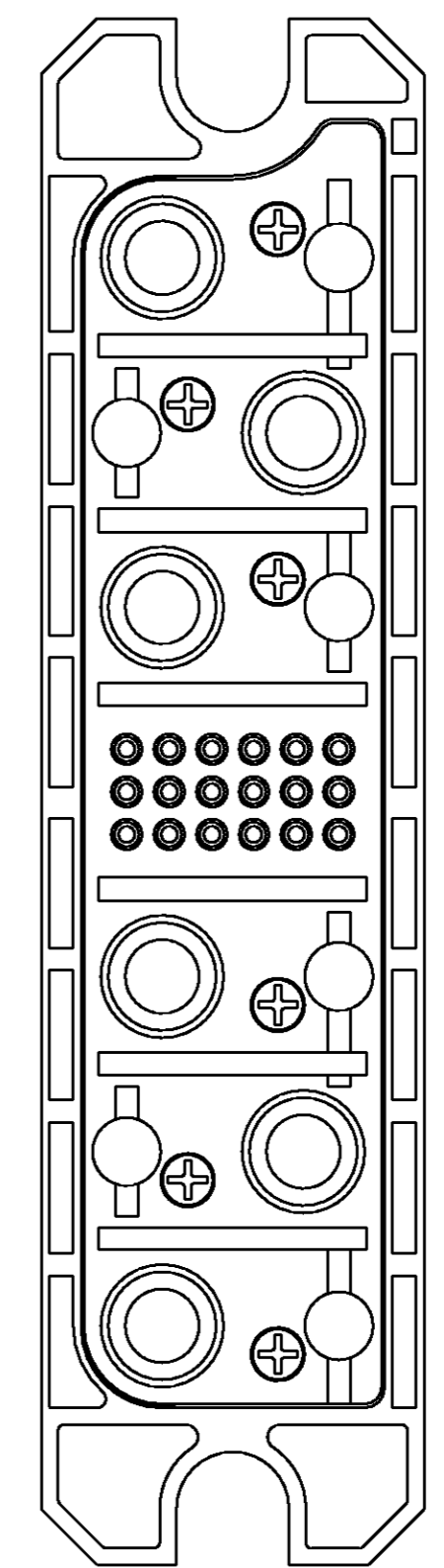
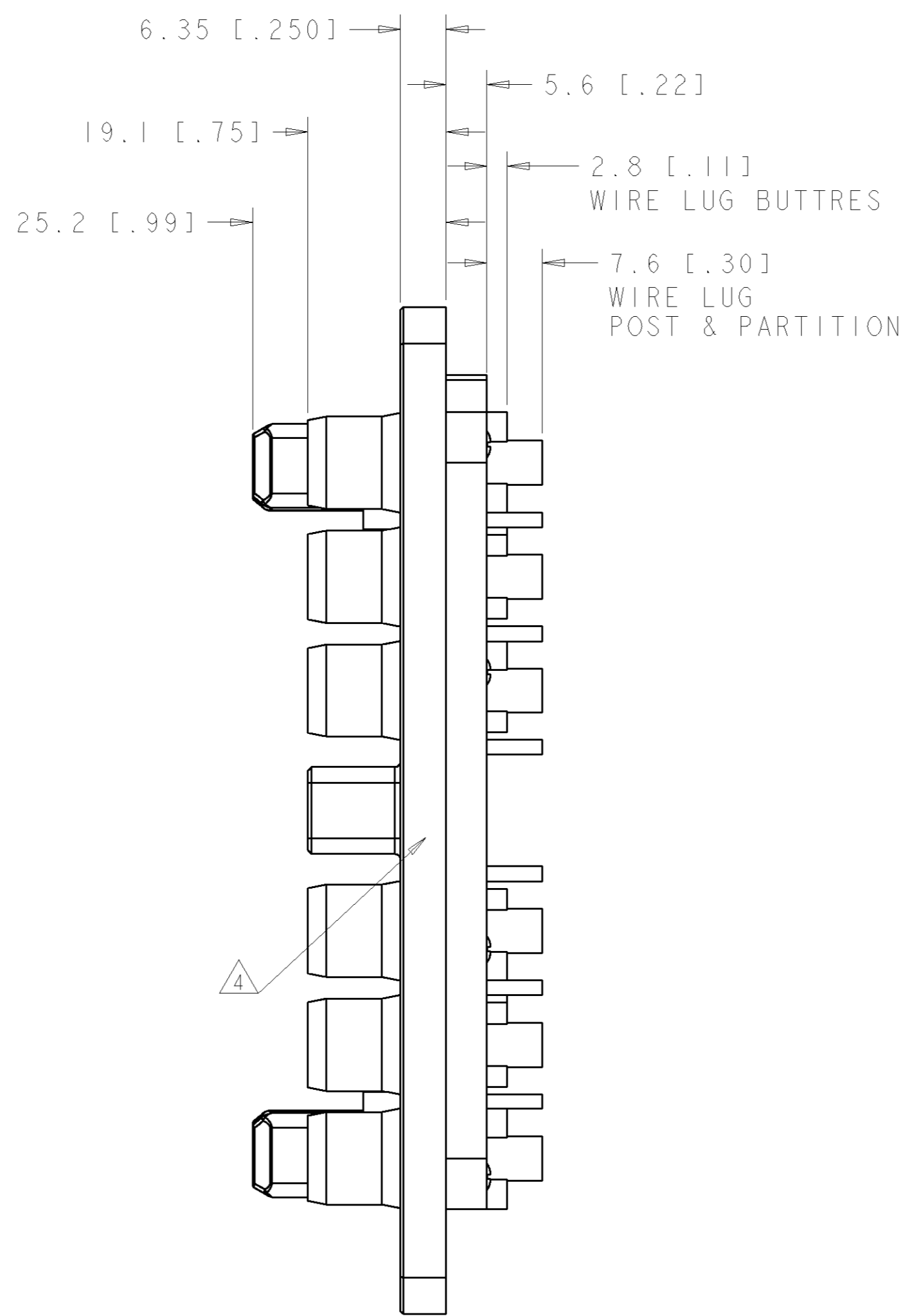
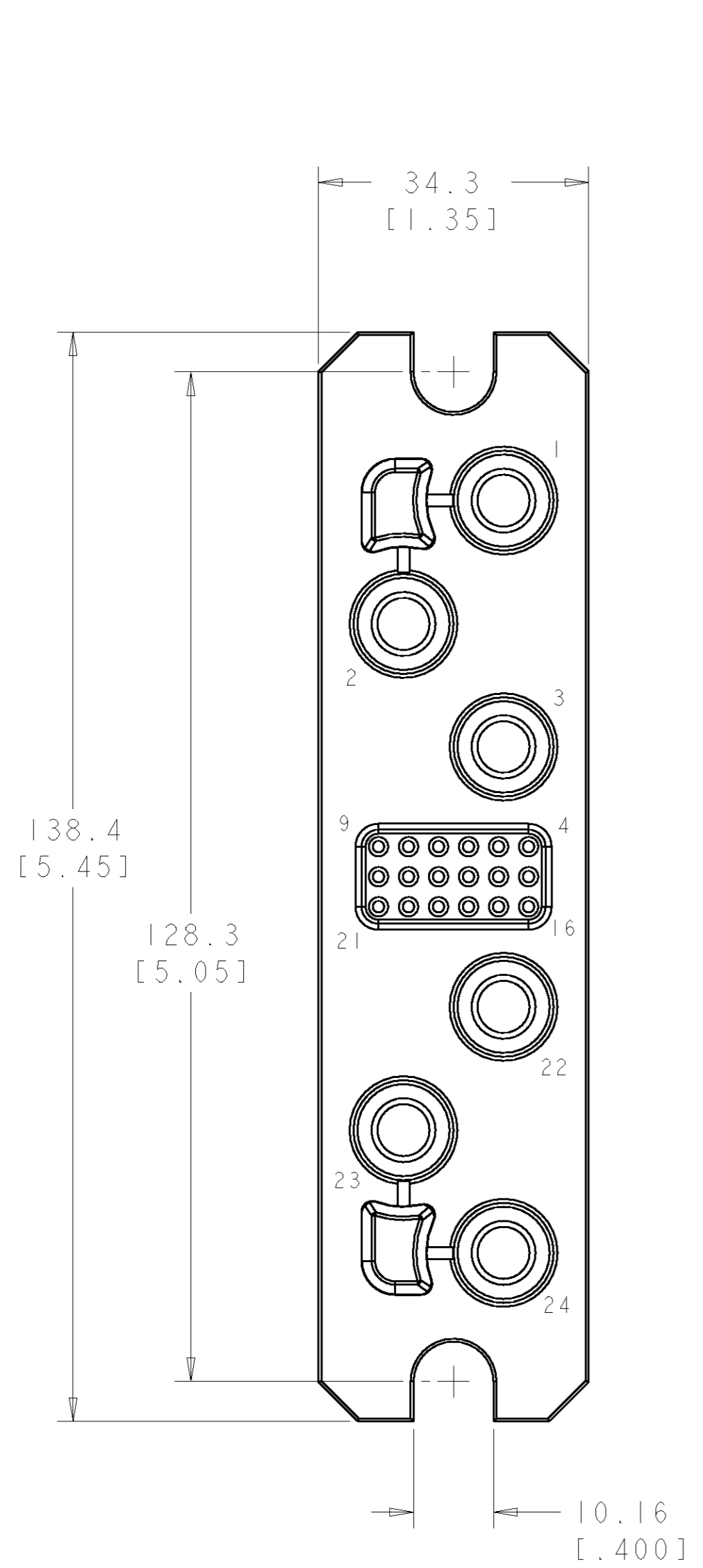


THIS DRAWING IS UNPUBLISHED. RELEASED FOR PUBLICATION 20  
 © COPYRIGHT 20 BY TYCO ELECTRONICS CORPORATION. ALL RIGHTS RESERVED.

LOC	DIST	REVISIONS					
GP	00	P	LTR	DESCRIPTION	DATE	DWN	APVD
		A		RELEASED	06NOV2006	RG	DO



BOTTOM VIEW

AS SHOWN	6651810-1
DESCRIPTION	PART NUMBER

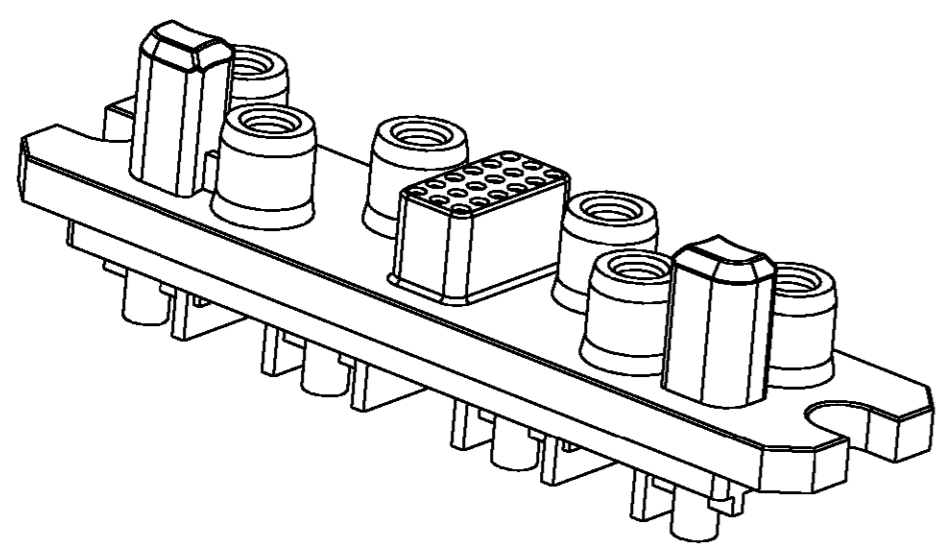
THIS DRAWING IS A CONTROLLED DOCUMENT FOR TYCO ELECTRONICS CORPORATION. IT IS SUBJECT TO CHANGE AND THE CONTROLLING ENGINEERING ORGANIZATION SHOULD BE CONTACTED FOR THE LATEST REVISION.		DWN R. GRZYBOWSKI 19JULY06 CHK D. ORRIS 19JULY06 APVD D. ORRIS 19JULY06	<b>tyco</b> Electronics Tyco Electronics Harrisburg, PA 17105-3608
DIMENSIONS: mm [INCHES]	TOLERANCES UNLESS OTHERWISE SPECIFIED: 0 PLC ± 1 PLC ±0.5 [0.02] 2 PLC ±0.25 [0.010] 3 PLC ± 4 PLC ± ANGLES ±2 FINISH	PRODUCT SPEC - APPLICATION SPEC - WEIGHT -	NAME CONNECTOR, SOCKET, SUB ASSEMBLY CUSTOMER DRAWER SIZE A2 CAGE CODE 00779 DRAWING NO. C-6651810 RESTRICTED TO -
MATERIAL		CUSTOMER DRAWING	SCALE 1:1 SHEET 1 OF 2 REV A

ELCON CUSTOM DRAWER

THIS DRAWING IS UNPUBLISHED. RELEASED FOR PUBLICATION 20  
 © COPYRIGHT 20 BY TYCO ELECTRONICS CORPORATION. ALL RIGHTS RESERVED.

LOC	DIST	REVISIONS					
		P	LTR	DESCRIPTION	DATE	DWN	APVD
GP	00	-		SEE SHEET 1	-	-	-

- PART NUMBER CHANGES AND OR DESIGN CHANGES AFFECTING ITEM INTERCHANGEABILITY REQUIRE PRIOR TYCO APPROVAL AND AUTHORIZATION BY REVISION TO THIS DRAWING.
- MATERIALS:  
 INSULATORS: THERMOPLASTIC, GLASS REINFORCED  
 UL RATED 94V-0 FLAMMABILITY RATED.  
 RETENTION CLIPS: BERYLLIUM COPPER OR STAINLESS STEEL
- FINISHES:  
 INSULATOR: AS MOLDED, COLOR BLACK (MACHINED, COLOR NATURAL)
- △ ITEMS PROVIDED TO THIS SPECIFICATION TO BE PERMANENTLY IDENTIFIED PER THE FOLLOWING IDENTIFIER:



YEAR 11 WEEK 25  
 (e.g. 0225)

TYCO PART NUMBER                      DATE CODE

XXXXXXXX-X                                      XXXX

**ELCON**      **CUSTOM DRAWER**

<small>THIS DRAWING IS A CONTROLLED DOCUMENT FOR TYCO ELECTRONICS CORPORATION. IT IS SUBJECT TO CHANGE AND THE CONTROLLING ENGINEERING ORGANIZATION SHOULD BE CONTACTED FOR THE LATEST REVISION.</small>		DWN <u>R. GRZYBOWSKI</u> 19JULY06 CHK <u>D. ORRIS</u> 19JULY06 APVD <u>D. ORRIS</u> 19JULY06	<b>tyco</b> <b>Electronics</b> Tyco Electronics Harrisburg, PA 17105-3608
DIMENSIONS: mm [ INCHES ]	TOLERANCES UNLESS OTHERWISE SPECIFIED: 0 PLC ± 1 PLC ±0.5 [ .02 ] 2 PLC ±0.25 [ .010 ] 3 PLC ± 4 PLC ± ANGLES ±2 FINISH	NAME <b>CONNECTOR, SOCKET, SUB ASSEMBLY</b> CUSTOMER DRAWER	SIZE CAGE CODE DRAWING NO RESTRICTED TO A200779 C-6651810 -
MATERIAL -		WEIGHT - CUSTOMER DRAWING	SCALE 1:1 SHEET 2 OF 2 REV A

单击下面可查看定价，库存，交付和生命周期等信息

[>>TE Connectivity\(泰科\)](#)