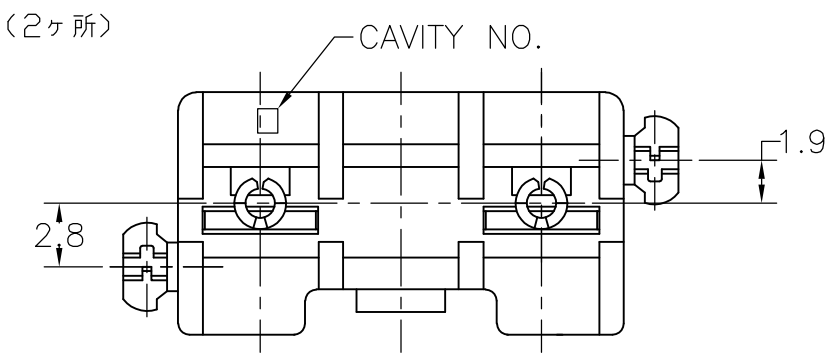
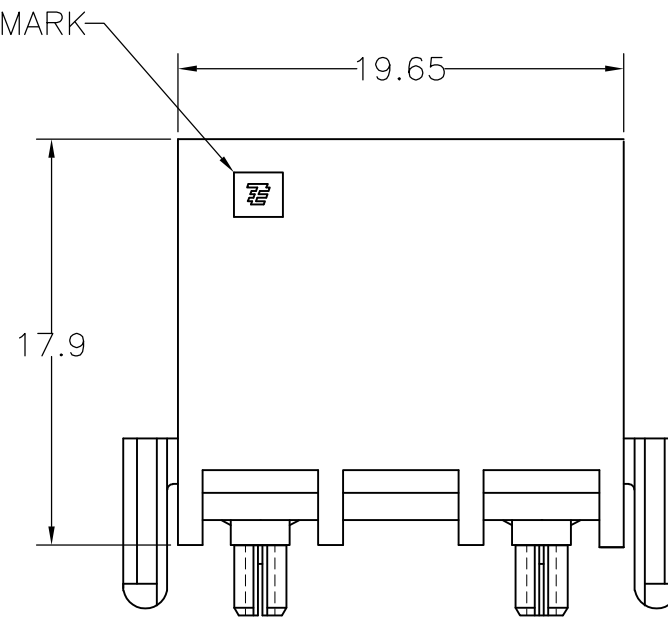
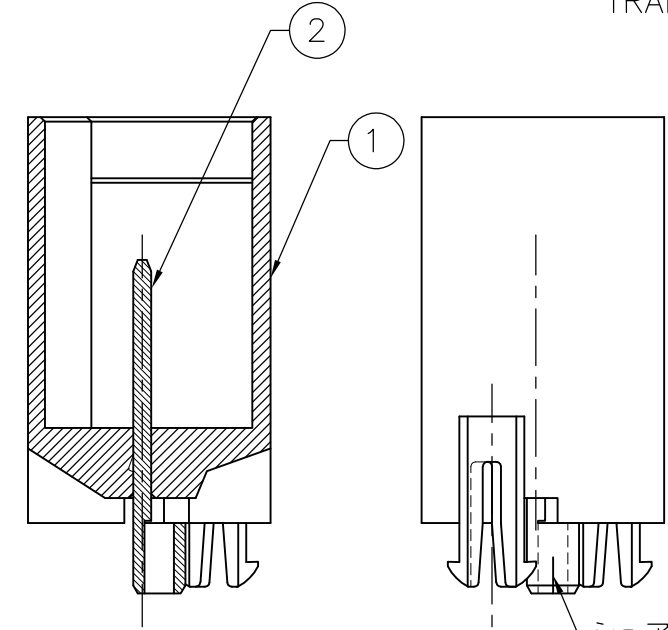
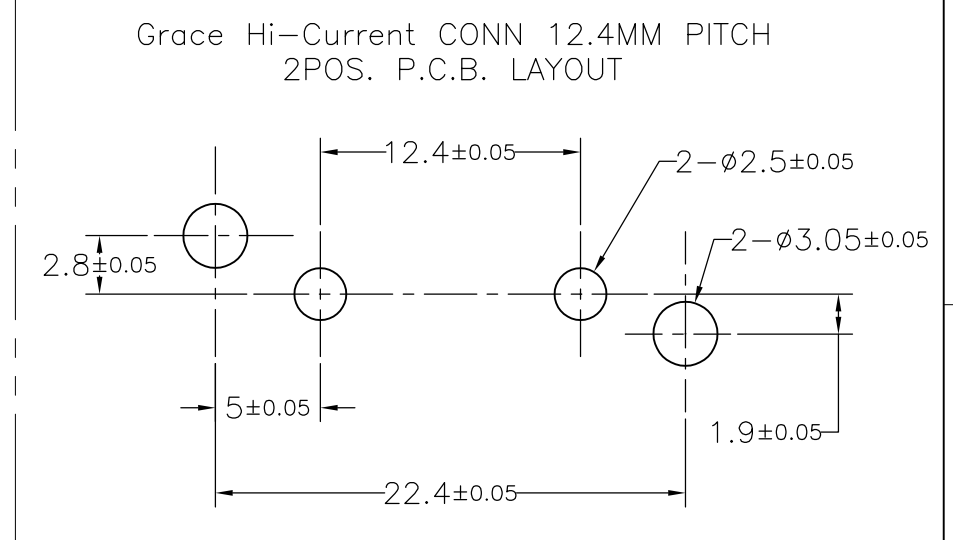
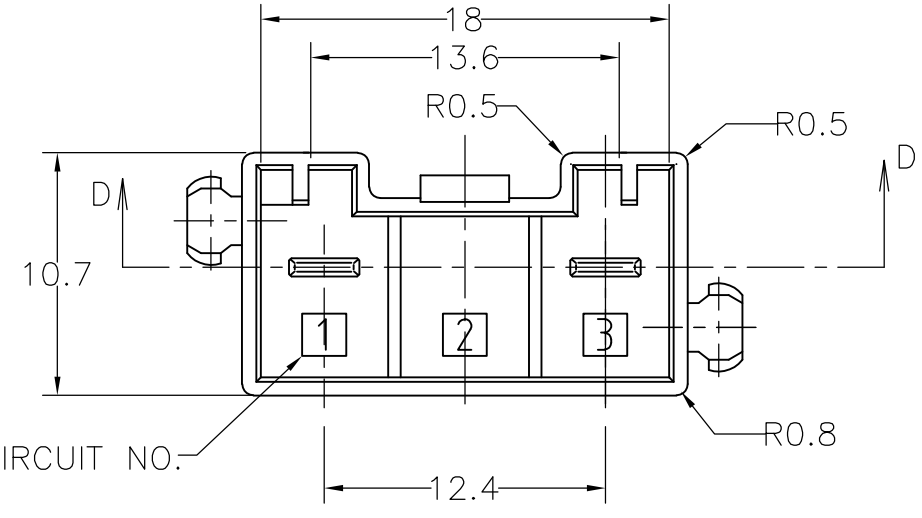


THIS DRAWING IS UNPUBLISHED. RELEASED FOR PUBLICATION
 © COPYRIGHT BY TYCO ELECTRONICS CORPORATION. ALL RIGHTS RESERVED.

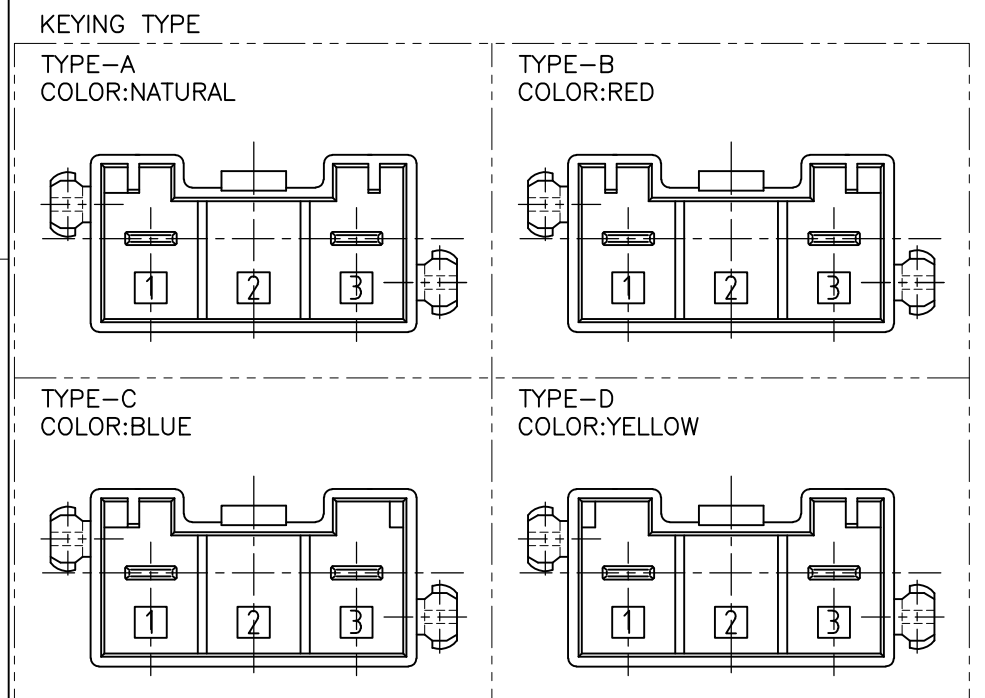
LOC	DIST	REVISIONS		
J	—	P	LTR	DESCRIPTION
				DATE
				DWN
				APVD
		B1		REVISED PER ECR-10-019989
				05OCT10
				HMR
				TM

注)
 △嵌合相手製品型番
 プラグハウジング：SEE TABLE
 リセコンタクト：1746971-1
 ：1746972-1

NOTES)
 △MATING CONN. P/N
 PLUG HOUSING：SEE TABLE
 REC CONTACT：1746971-1
 ：1746972-1
 △AN UNEVEN COLORING MIGHT COME OUT.



NO.	名称(NAME)	材料(MATERIAL)
②	ヘッダーハウジング (HEADER HOUSING)	6/6ナイロンガラス強化 (6/6 NYLON GRASS FILLED)
①	タブ(TAB)	錫めっき済み銅合金 (COPPER ALLOY TIN PLATED)



THIS DRAWING IS A CONTROLLED DOCUMENT.		DWN A.OISHI 7DEC2004	Tyco Electronics AMP K.K. Kawasaki, Japan	
DIMENSIONS: 単位：mm		CHK N.YAMASAKI 7DEC2004	NAME S.MANABE 7DEC2004	
TOLERANCES UNLESS OTHERWISE SPECIFIED: 一般公差		PRODUCT SPEC 製品規格 108-78232		
0 PLC ± 0.3		APPLICATION SPEC 取付適用規格		
1 PLC ± 0.3		SIZE A3		
2 PLC ± 0.3		CAGE CODE 00779		
3 PLC ± 0.2		DRAWING NO G-1747996		
4 PLC ± 0.2		RESTRICTED TO		
ANGLES ± 3		SCALE 尺度 3:1		
MATERIAL 材料		SHEET 1 OF 1		
FINISH 仕上		REV B1		
CUSTOMER DRAWING				

单击下面可查看定价，库存，交付和生命周期等信息

[>>TE Connectivity\(泰科\)](#)