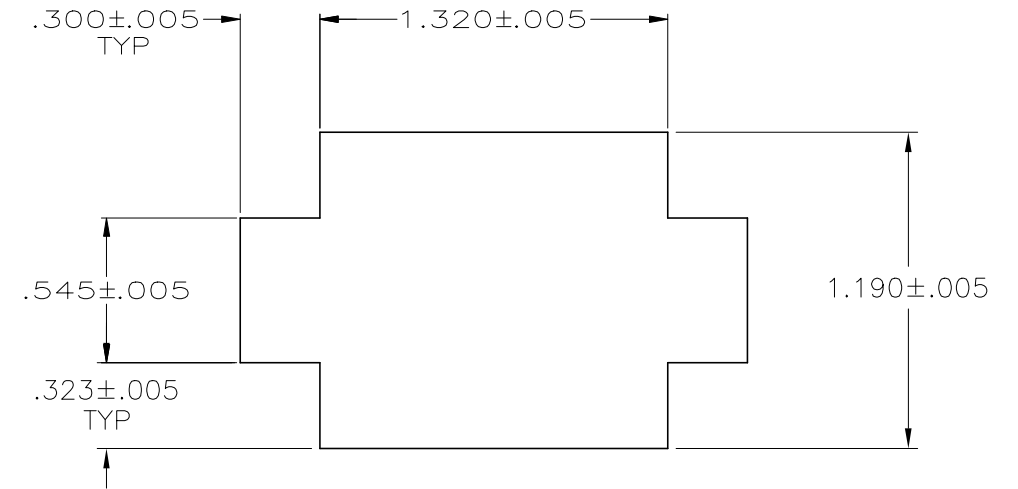
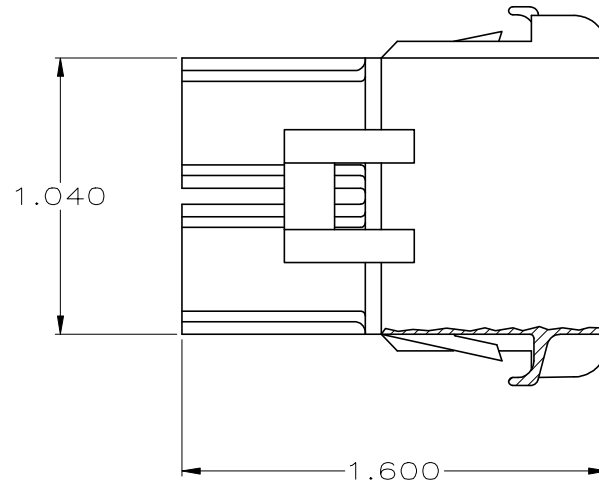
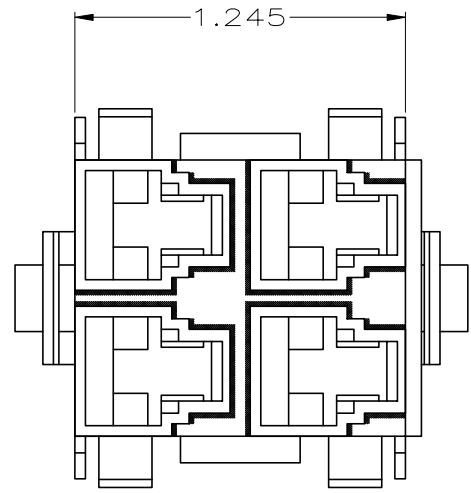
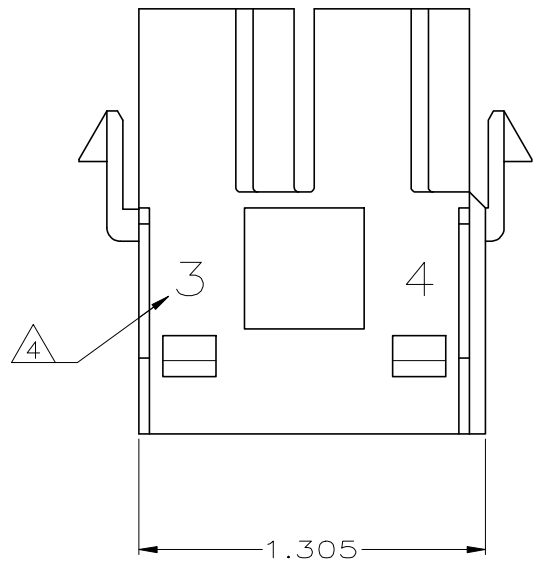


REVISIONS					
P	LTR	DESCRIPTION	DATE	DWN	APVD
	H1	REVISED PER ECO-11-004917	11MAR11	RK	HMR
	J	REVISED PER ECO-18-019629	17DEC2018	RS	MZ
	K	REVISED PER ECO-19-000322	11JAN2019	RS	MZ
	L	REVISED PER ECO-19-004738	27MAR2019	RS	MZ



RECOMMENDED PANEL CUT-OUT
 PANEL THICKNESS .040-.093



- ACCEPTS TERMINALS 350650 & 350651.
 - MATES WITH HOUSING 643267.
 - PANEL MUST BE PUNCHED SO THAT THE HOUSING ENTERS THE PANEL IN THE SAME DIRECTION AS THE PUNCH.
- ⚠ CHARACTERS 3 & 4 MARKED ON NEAR SURFACE AS SHOWN;
 CHARACTERS 1 & 2 MARKED OPPOSITE SIDE.
- ⚠ PA 6/66, UL 94V-0 RATED, BLACK

OBSOLETE	⚠	641685-2
	-	641685-1
CIRCUIT IDENTIFICATION		PART NUMBER

THIS DRAWING IS A CONTROLLED DOCUMENT.		DWN S.WELDON 04 OCT 99	TE Connectivity Ltd.																			
DIMENSIONS: INCHES		CHK R.BUCHTER 05OCT99	NAME R.BUCHTER																			
TOLERANCES UNLESS OTHERWISE SPECIFIED:		APVD R.BUCHTER 05OCT99	PRODUCT SPEC -																			
<table border="1"> <tr><td>0 PLC</td><td>±</td><td>-</td></tr> <tr><td>1 PLC</td><td>±</td><td>-</td></tr> <tr><td>2 PLC</td><td>±</td><td>-</td></tr> <tr><td>3 PLC</td><td>±</td><td>.020</td></tr> <tr><td>4 PLC</td><td>±</td><td>-</td></tr> <tr><td>ANGLES</td><td>±</td><td>-</td></tr> </table>		0 PLC	±	-	1 PLC	±	-	2 PLC	±	-	3 PLC	±	.020	4 PLC	±	-	ANGLES	±	-	APPLICATION SPEC -	SIZE A2	CAGE CODE 00779
0 PLC	±	-																				
1 PLC	±	-																				
2 PLC	±	-																				
3 PLC	±	.020																				
4 PLC	±	-																				
ANGLES	±	-																				
MATERIAL ⚠	FINISH -	WEIGHT -	DRAWING NO C-641685	RESTRICTED TO -																		
CUSTOMER DRAWING			SCALE 2:1	SHEET 1 of 1																		

单击下面可查看定价，库存，交付和生命周期等信息

[>>TE Connectivity\(泰科\)](#)