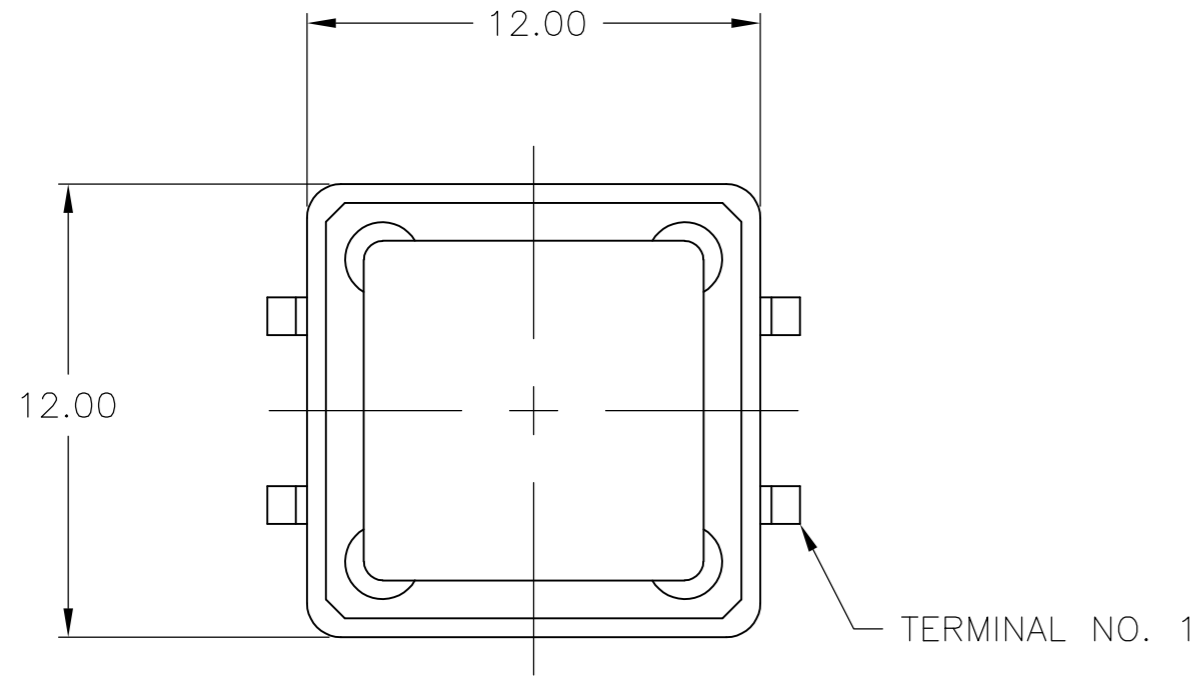
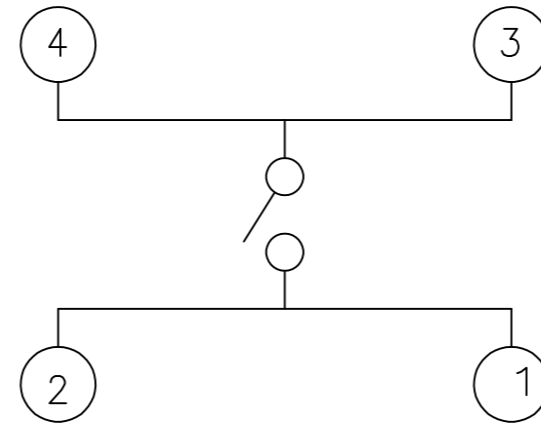


THIS DRAWING IS UNPUBLISHED. RELEASED FOR PUBLICATION
 © COPYRIGHT BY TYCO ELECTRONICS CORPORATION. ALL RIGHTS RESERVED.

LOC	DIST	REVISIONS			
P	LTR	DESCRIPTION	DATE	DWN	APVD
B		ECO-07-00908	02JUL07	MB	MS



CIRCUIT DIAGRAM



SPECIFICATIONS:

MATERIALS: (CUSTOMER)
 CASE, PBT, UL94HB, BLACK
 COVER, STEEL, PET FILM, WHITE
 ACTUATOR, ACETAL UL94HB, BLACK
 MOVING CONTACT, COPPER ALLOY, FINISH-SILVER
 FIXED CONTACT/TERMINAL, COPPER ALLOY, FINISH-SILVER/NICKEL
 CAP, ABS, RED

ELECTRICAL:

MAX CONTACT RATING: 50MILLIAMPS@24V DC
 MIN CONTACT RATING: 10MICROAMPS@1V DC
 INITIAL CONTACT RESISTANCE, 100 MILLIOHMS MAX
 INSULATION RESISTANCE, 100 MEGOHM MIN.
 DIELECTRIC STRENGTH, 500 V AC FOR 1 MINUTE
 CONTACT BOUNCE, 10 MILLISECOND MAX

MECHANICAL:

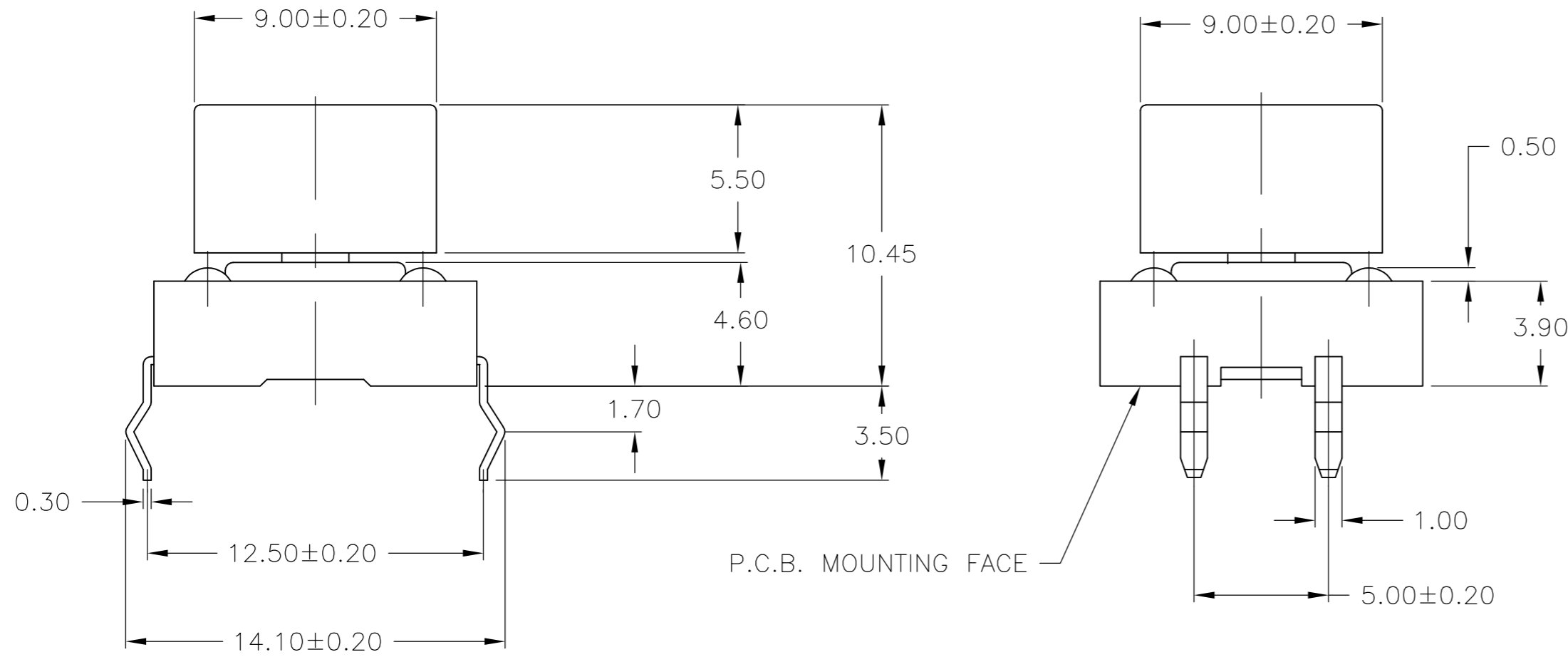
ACTUATION FORCE, 160 +/-50 GRAMS
 ACTUATION TRAVEL, 0.30 +/-0.15
 LIFE EXPECTANCY, 100,000 CYCLES MIN

ENVIRONMENTAL:

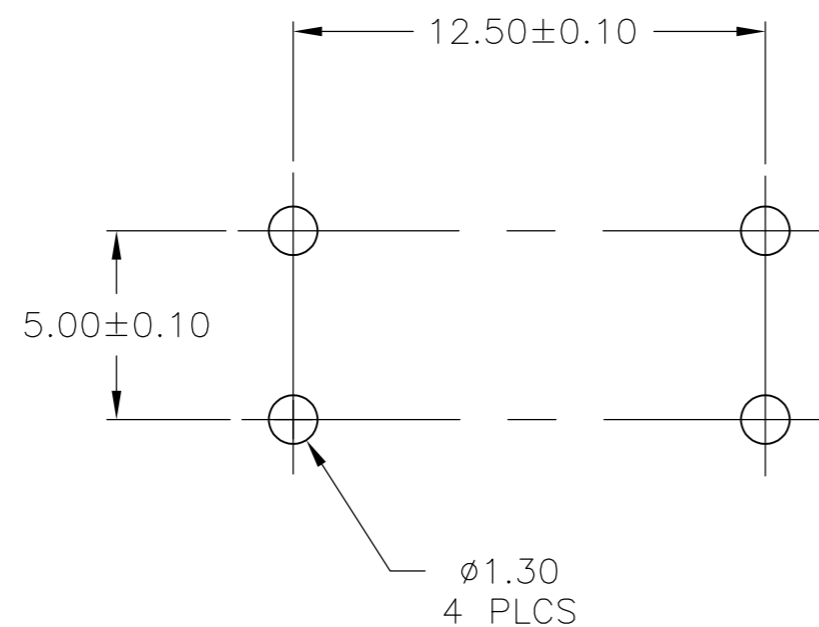
OPERATING TEMPERATURE, -35 TO +85 DEGREES C
 STORAGE TEMPERATURE, -35 TO +85 DEGREES C
 SOLDERABILITY, PER EIA-364-52, CLASS 2, CATEGORY 1, TEMP, 245 DEGREES C MAX, TIME, 2.5 SECONDS MAX, 95% MINIMUM COVERAGE
 RESISTANCE TO SOLDER HEAT PER 109-202, CONDITION A, NO CHANGE IN INITIAL ELECTRICAL AND MECHANICAL CHARACTERISTICS

NOTES:

- ALL MATERIALS AND FINISHES SHALL COMPLY WITH EU DIRECTIVE 2002/95/EC OF 27JAN2003 (ROHS)



P.C.B. MOUNTING HOLE LAYOUT



THIS DRAWING IS A CONTROLLED DOCUMENT.		DWN M.BINNER 12OCT2005	FSM103W/C		1825208-1
DIMENSIONS: mm		CHK M.SARVER 12OCT05	T&B P/N		Tyco P/N
TOLERANCES UNLESS OTHERWISE SPECIFIED:		APVD M.SARVER 12OCT05	Tyco Electronics Corporation Harrisburg, Pa 17105-3608		
0 PLC ± -		NAME	PUSHBUTTON SWITCH, 12MM, WITH CAP		
1 PLC ± -		PRODUCT SPEC	-		
2 PLC ± 0.30		APPLICATION SPEC	-		
3 PLC ± -		SIZE	CAGE CODE	DRAWING NO	RESTRICTED TO
4 PLC ± -		WEIGHT	A2	00779	C=1825208
ANGLES ± -		CUSTOMER DRAWING	SCALE	SHEET	REV
FINISH			5:1	1 OF 1	B

单击下面可查看定价，库存，交付和生命周期等信息

[>>TE Connectivity\(泰科\)](#)