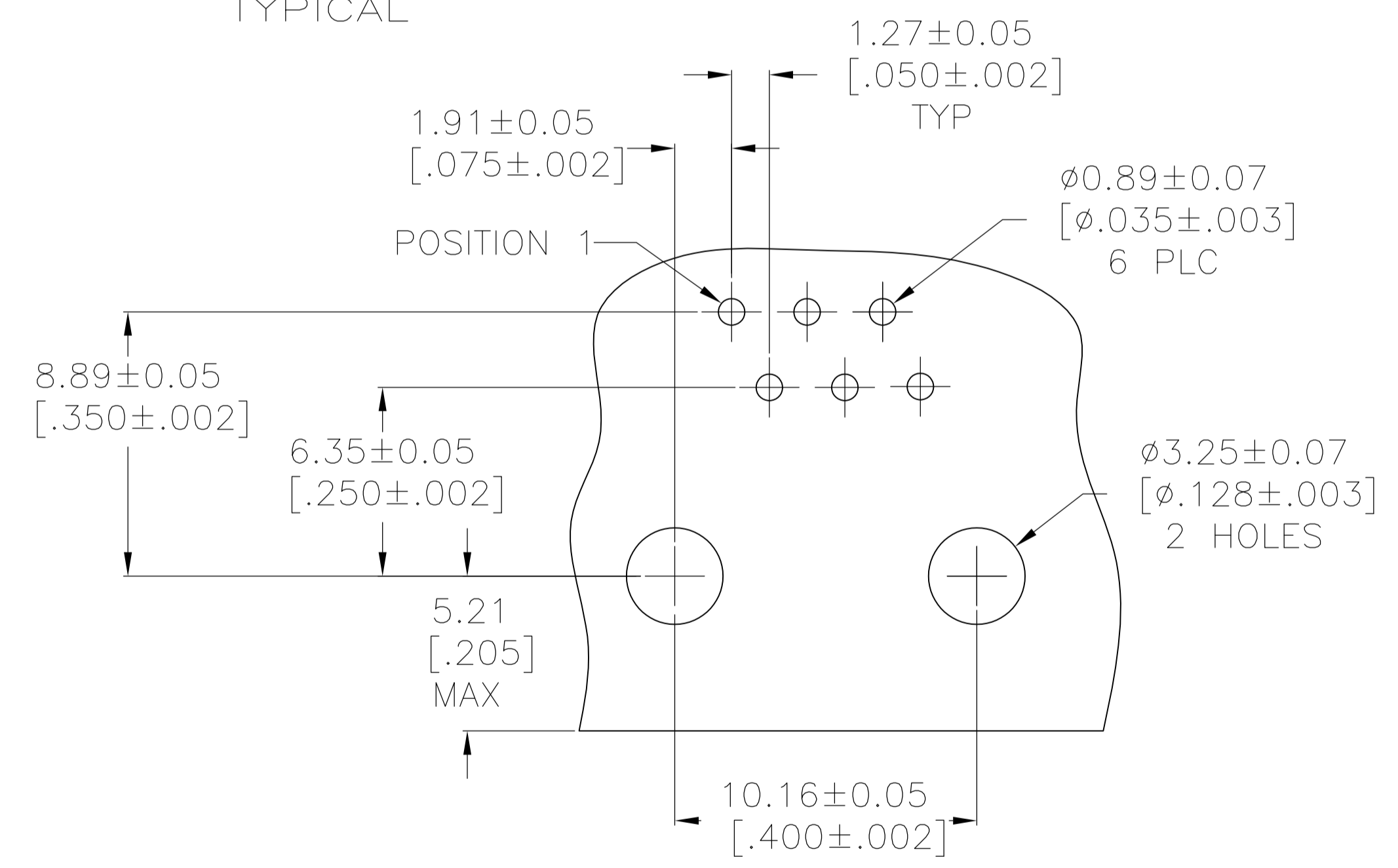
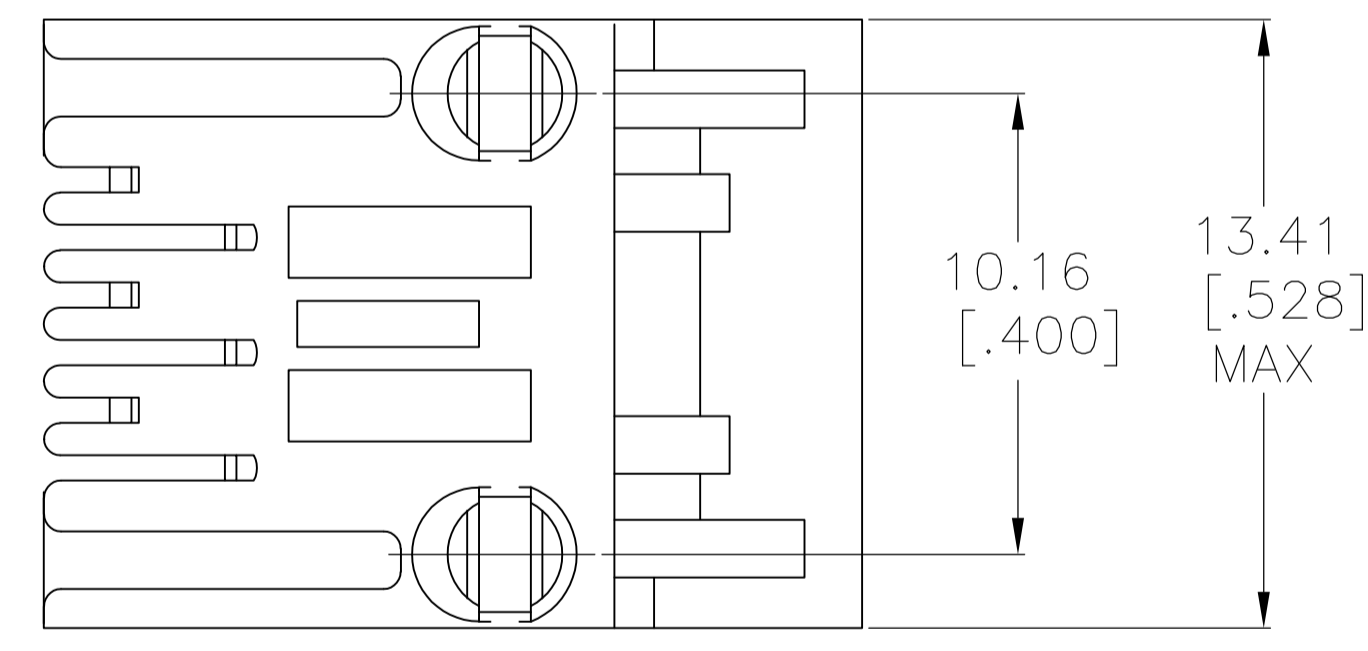
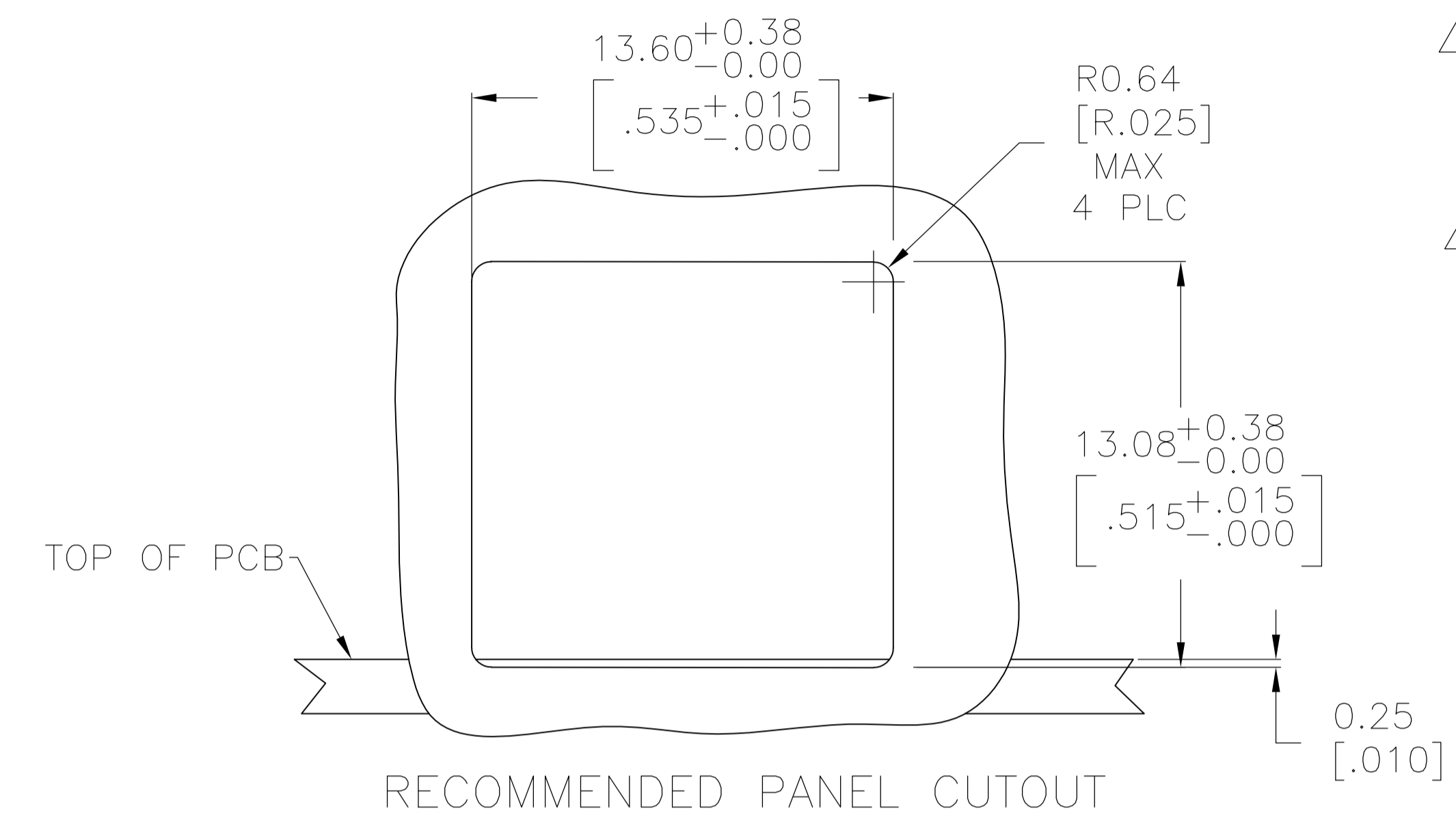
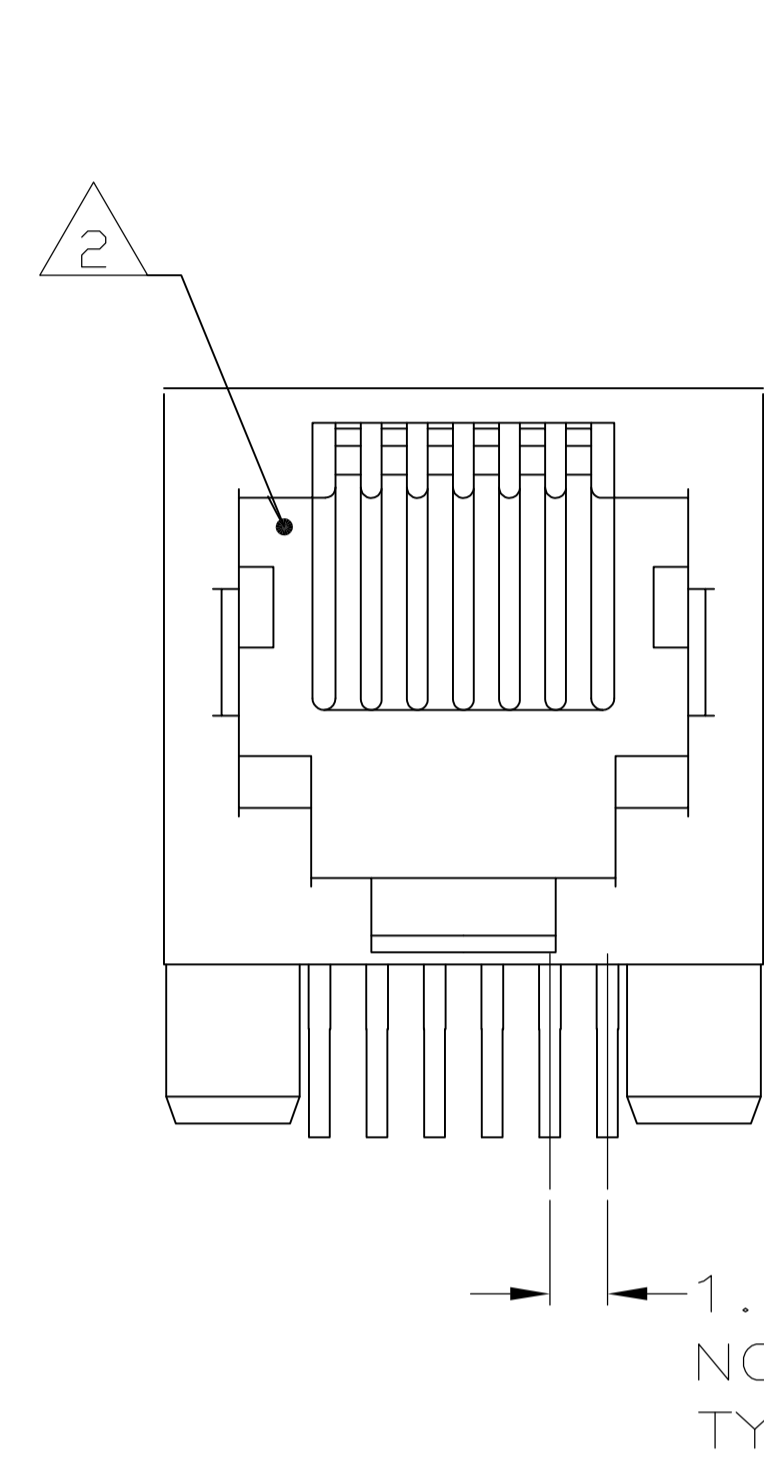
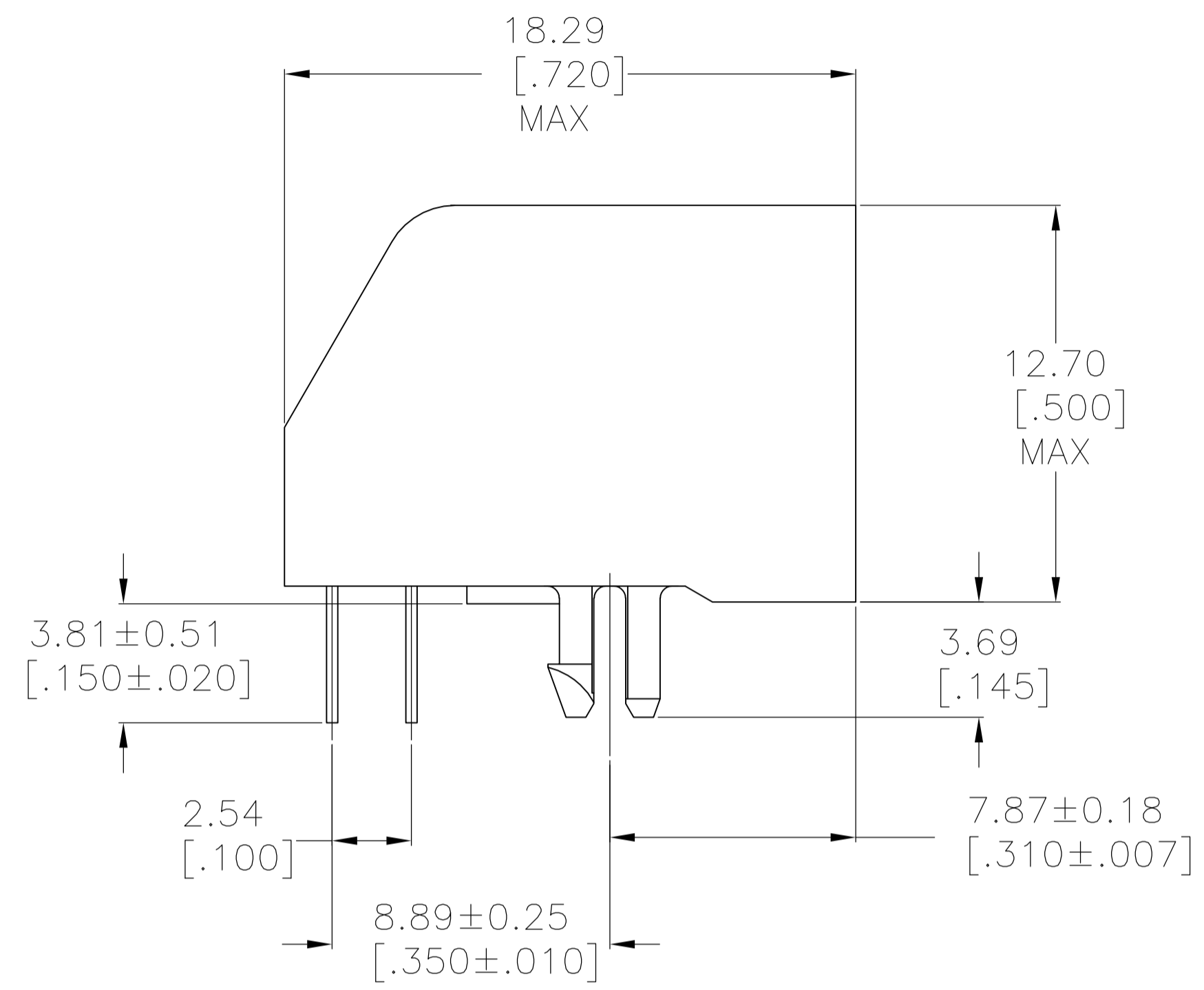


| LOC |                           | DIST      |      | REVISONS |     |      |  |
|-----|---------------------------|-----------|------|----------|-----|------|--|
| GP  | 00                        | REV       | DATE | BY       | CHK | APPV |  |
| E2  | REVISED PER ECO-12-014371 | 15NOV2012 | CJV  | PAR      |     |      |  |

- MATERIAL: HOUSING - PBT POLYESTER, COLOR: BLACK  
 TERMINAL - 0.35[.0138] THICK PHOS BRONZE  
 PLATED WITH 1.27 $\mu$ m[.000050] THICK  
 HARD GOLD IN LOCALIZED GOLD PLATE AREA AND  
 2.03 $\mu$ m[.000080] THICK MATTE TIN IN SOLDER  
 AREA OVER 1.27 $\mu$ m[.000050] THICK NICKEL  
 UNDERPLATE.
- CAVITY CONFORMS TO FCC RULES AND REGULATIONS  
 PART 68, SUBPART F.
- BULK PACKAGED IN A TRAY.
- TERMINALS FOR 5555165-2 AND -5 LOCATED IN  
 CENTER POSITIONS.



RECOMMENDED PRINTED CIRCUIT BOARD LAYOUT  
 COMPONENT SIDE SHOWN

| OBsolete | DEC GREY | 4                     | 4 | 5555165-8   |
|----------|----------|-----------------------|---|-------------|
|          | BLACK    | 2                     | 6 | 5555165-5   |
|          | BLACK    | 4                     | 4 | 5555165-2   |
|          | BLACK    | 6                     | 4 | 5555165-1   |
|          | COLOR    | TERMINALS<br>REQUIRED |   | PART NUMBER |

THIS DRAWING IS A CONTROLLED DOCUMENT. DIMENSIONING AND TOLERANCING PER ASME Y14.5M-2009.

|                            |  |  |   |
|----------------------------|--|--|---|
| DIMENSIONS:<br>mm [INCHES] | TOLERANCES UNLESS OTHERWISE SPECIFIED:<br>0 PLC ± -<br>1 PLC ± -<br>2 PLC ± 0.13[.005]<br>3 PLC ± -<br>4 PLC ± -<br>ANGLES ± - | APPROVED:<br>S. FLICKINGER<br>08JUNE2005 | NAME:<br>MODULAR JACK ASSEMBLY,<br>6 POSITION, LOW PROFILE, RIGHT<br>ANGLE, WITHOUT PANEL STOPS |
| MATERIAL:<br>SEE NOTE 1    | FINISH:<br>SEE NOTE 1  | WEIGHT:<br>-                             | SIZE: A1<br>SCALE: 6:1<br>SHEET: 1 OF 1<br>REV: E2  |

STE TE Connectivity

08JUNE2005  
 D. STRAUSSER / L.A. MAYER  
 08JUNE2005  
 J. WESTMAN  
 S. FLICKINGER  
 08JUNE2005  
 PRODUCT SPEC: 108-1163  
 APPLICATION SPEC: 114-2048  
 CUSTOMER DRAWING

单击下面可查看定价，库存，交付和生命周期等信息

[>>TE Connectivity\(泰科\)](#)