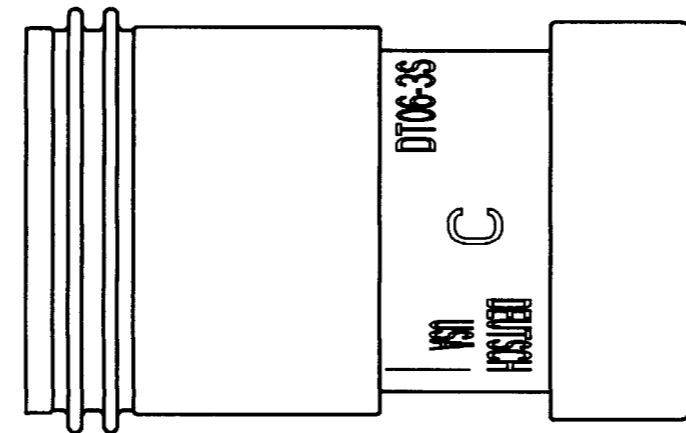
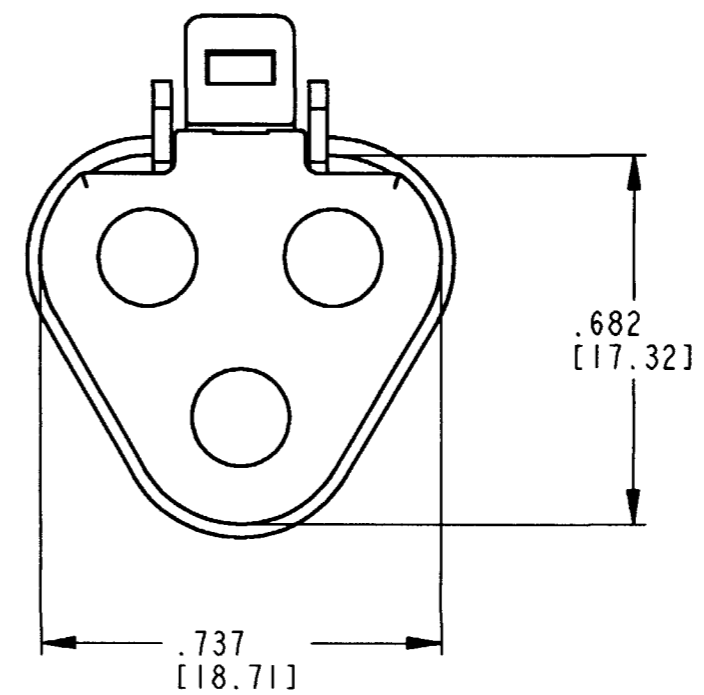
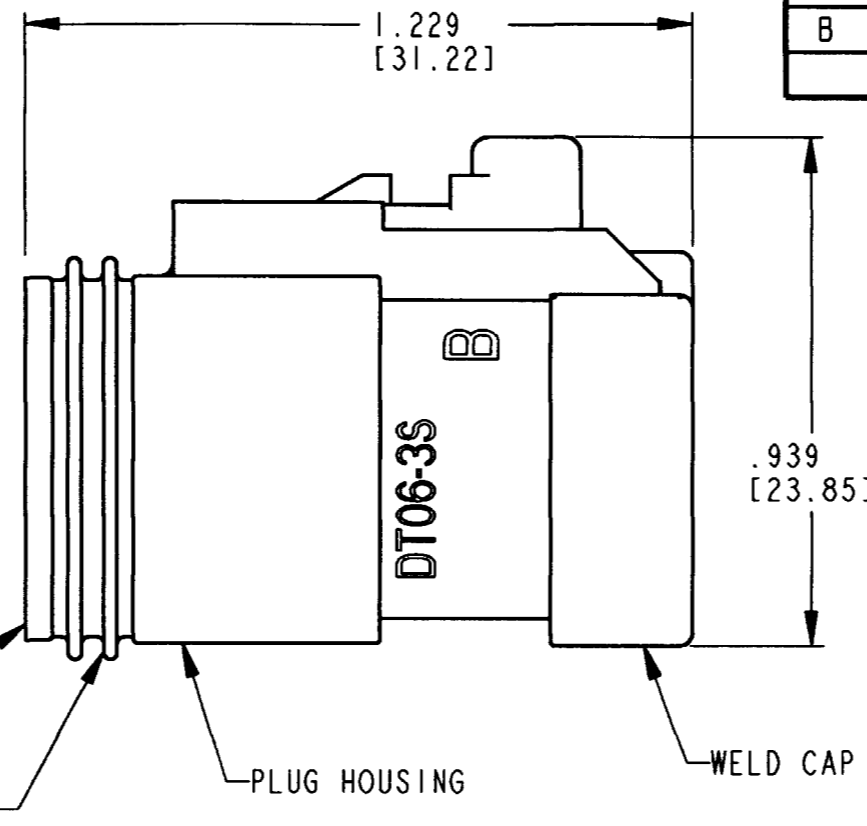
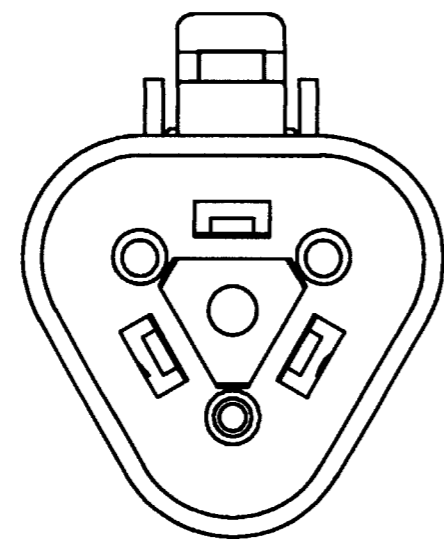


3D VIEW



REV
B DT06-3S-P006

| REVISIONS | | | |
|-----------|-----------------------------|---------|----------|
| SYM | DESCRIPTION | DATE | APPROVED |
| NC | NEW RELEASE PER E.O. A14583 | 8/18/95 | RDR |
| A | REVISED PER E.O. P16179 | 7/13/99 | RDR |
| B | REVISED PER E.O. P16652 | 5-10-00 | RDR |

6. RESISTOR CHARACTERISTICS: 120 OHMS \pm 10 PERCENT, .4 WATTS MINIMUM.
5. THIS CONNECTOR CAN PASS THROUGH A ONE INCH HOLE.
4. THIS PLUG MATES WITH THE DT04-3P-**** RECEPTACLE. (**** = J1939 MODIFICATIONS.) CONSULT FACTORY FOR MODIFICATIONS.
3. FOR CONTACTS AND WIRE PERFORMANCE AND APPLICATION CHARACTERISTICS SEE ENVELOPE DRAWING 0425-015-0000 AND 0425-017-0000.
2. DIMENSIONS ARE \pm .025[0.63] UNLESS OTHERWISE SPECIFIED.
1. DIMENSIONS ARE IN INCHES [MILLIMETERS].

NOTES:

| SIGNATURE & DATE | |
|------------------|-----------------------------|
| DR | S. THEIS 7/8/99 |
| CHK | <i>[Signature]</i> 10/18/00 |
| PE | <i>[Signature]</i> 5-5-00 |
| APPD | <i>[Signature]</i> 5-10-00 |
| SCALE | 3:1 WT |

3 WAY PLUG
DT SERIES
(TERMINATING PLUG)
P006 MOD

ENVELOPE

| | |
|---|-------------------------|
| CP | MATL CODE |
| The Deutsch Company DEUTSCH I.P.D. 3850 INDUSTRIAL AVE. HEMET, CALIF. 92545 | |
| B | DT06-3S-P006 |
| DWG SIZE | CODE 11139 SHEET 1 OF 1 |

单击下面可查看定价，库存，交付和生命周期等信息

[>>TE Connectivity\(泰科\)](#)