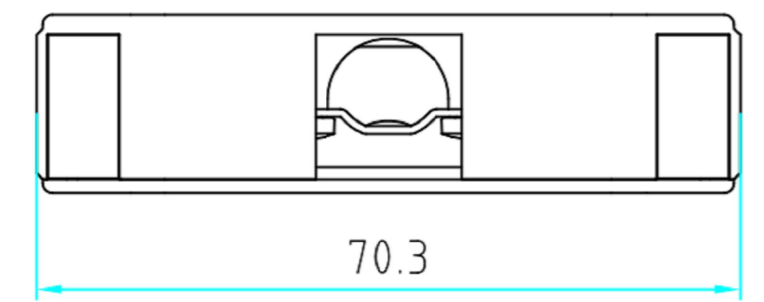
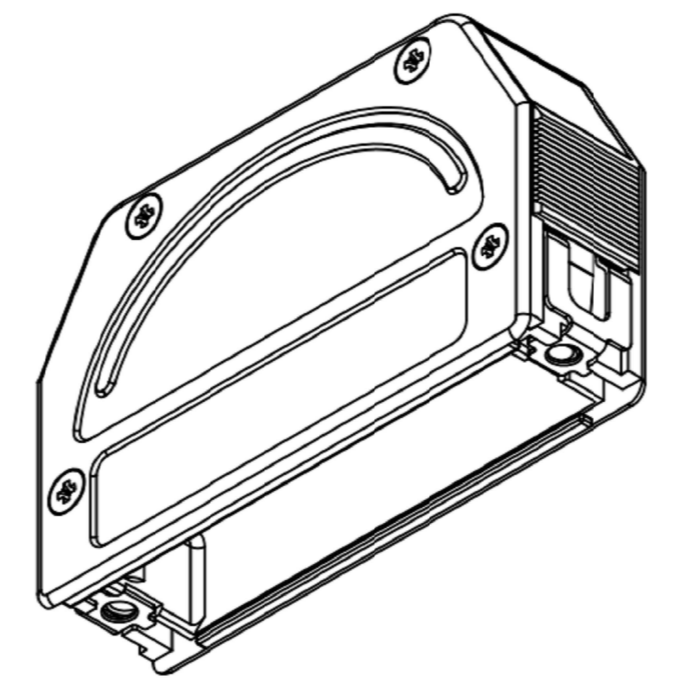
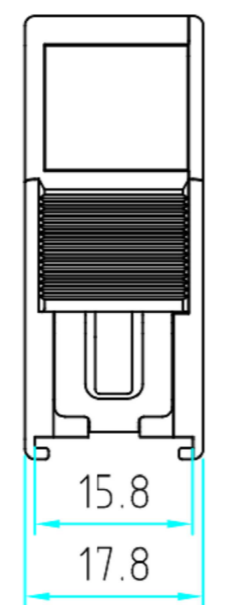
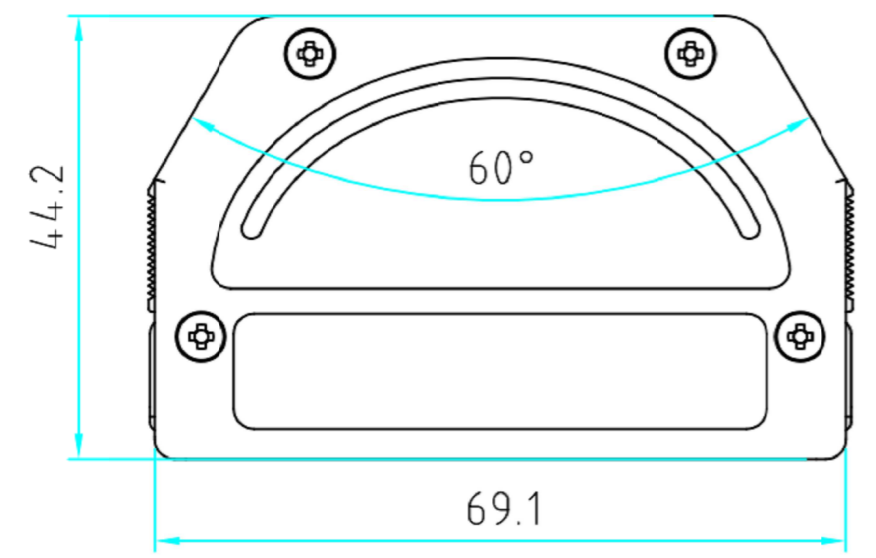
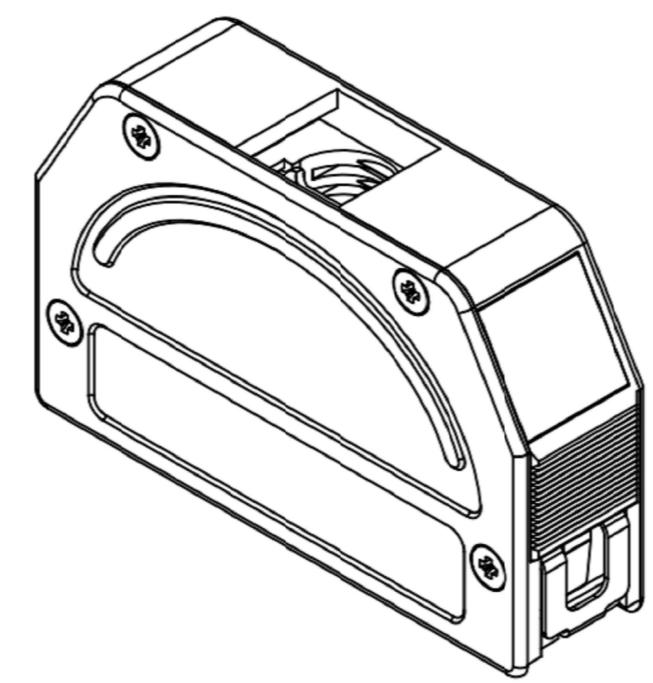
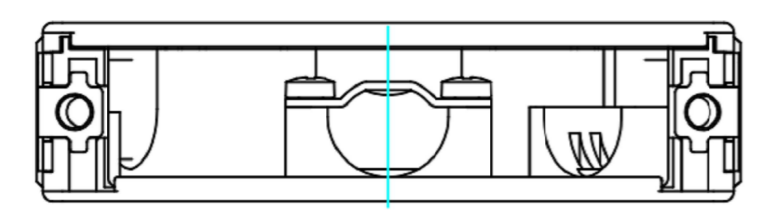
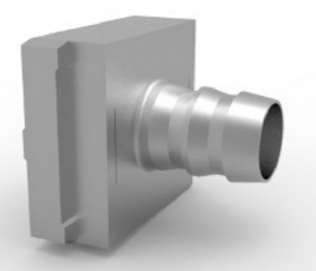


THIS DRAWING IS UNPUBLISHED.		RELEASED FOR PUBLICATION	
© COPYRIGHT - By -		ALL RIGHTS RESERVED.	
PROJECT	PRJ-16-000909157		
PART NO.	X-2308338-X		
DESCRIPTION	QL-FULL METAL HOODS SIZE 5		
CUSTOMER	GENERAL MARKET		

REVISIONS					
P	LTR	DESCRIPTION	DATE	DWN	APVD
	A2	REVISED PER ECR-16-014891	20OCT2016	KK	GG



CABLE CLAMP



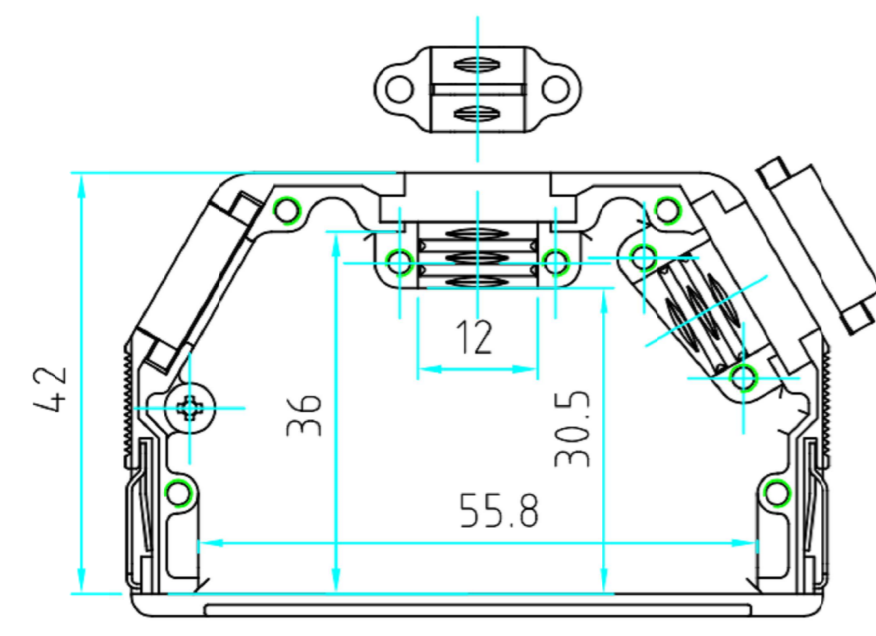
CRIMP FLANGE



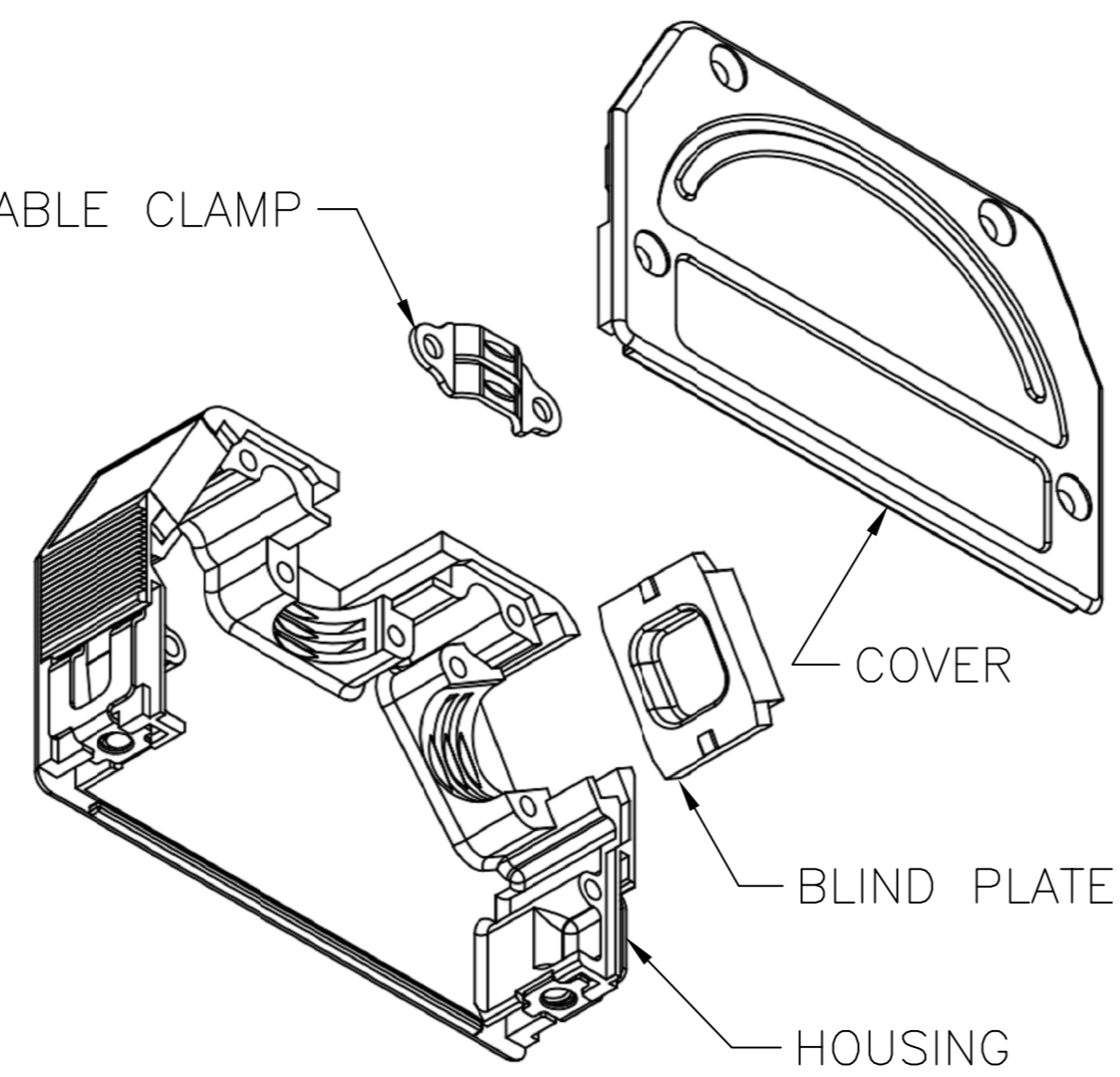
CRIMP BARREL



CABLE CLAMP



HOUSING OPEN



COVER

BLIND PLATE

HOUSING

NOTES:

- 1-2308338-1 = WITH 1 CABLE CLAMP.  
1-2308338-2 = WITH 2 CABLE CLAMP.
- TEMPERATURE: -40°C TO 90°C.
- CABLE DIAMETER: Dk=6-13 mm (FOR Dk=6-9 mm TURN CABLE CLAMP).
- WEIGHT: 105 g.

\* CRIMP FLANGE PN \*-2308348-\* TO BE ORDERED SEPARATELY.

\* CRIMP BARREL TO BE USED IN COMBINATION WITH THE FLANGE PN \*-2308350-\* TO BE ORDERED SEPARATELY.

\* CABLE CLAMP SCREW VERSION PN \*-2308272-\* TO BE ORDERED SEPARATELY.

QTY	QTY	DESCRIPTION (MATERIAL, FINISH)
1	1	SCREW M2.5x5 (CASE HARDENING STEEL, ZINC-PLATED)
4	4	SCREW M2.5x6.5 (CASE HARDENING STEEL, ZINC-PLATED)
2	4	SCREW M2.5x6 (CASE HARDENING STEEL, ZINC-PLATED)
1	2	CABLE CLAMP (BAND STEEL, ZINC-PLATED)
2	2	CATCH SPRING (STAINLESS STEEL, RAW)
2	1	BLIND PLATE (ZINC ALLOY, RAW)
1	1	COVER (ZINC ALLOY, RAW)
1	1	HOUSING (ZINC ALLOY, RAW)
X=1 (1-2308338-1)	X=2 (1-2308338-2)	

THIS DRAWING IS A CONTROLLED DOCUMENT.

DWN: KIRAN K 02AUG2016  
CHK: GUNASEKHAR G 02AUG2016  
APVD: GUNASEKHAR G 02AUG2016

TE Connectivity

NAME: QL-FULL METAL HOODS SIZE 5

SIZE: A2 CAGE CODE: 00779 DRAWING NO: 2308338

RESTRICTED TO: -

CUSTOMER DRAWING SCALE: NTS SHEET: 1 of 1 REV: A2

单击下面可查看定价，库存，交付和生命周期等信息

[>>TE Connectivity\(泰科\)](#)