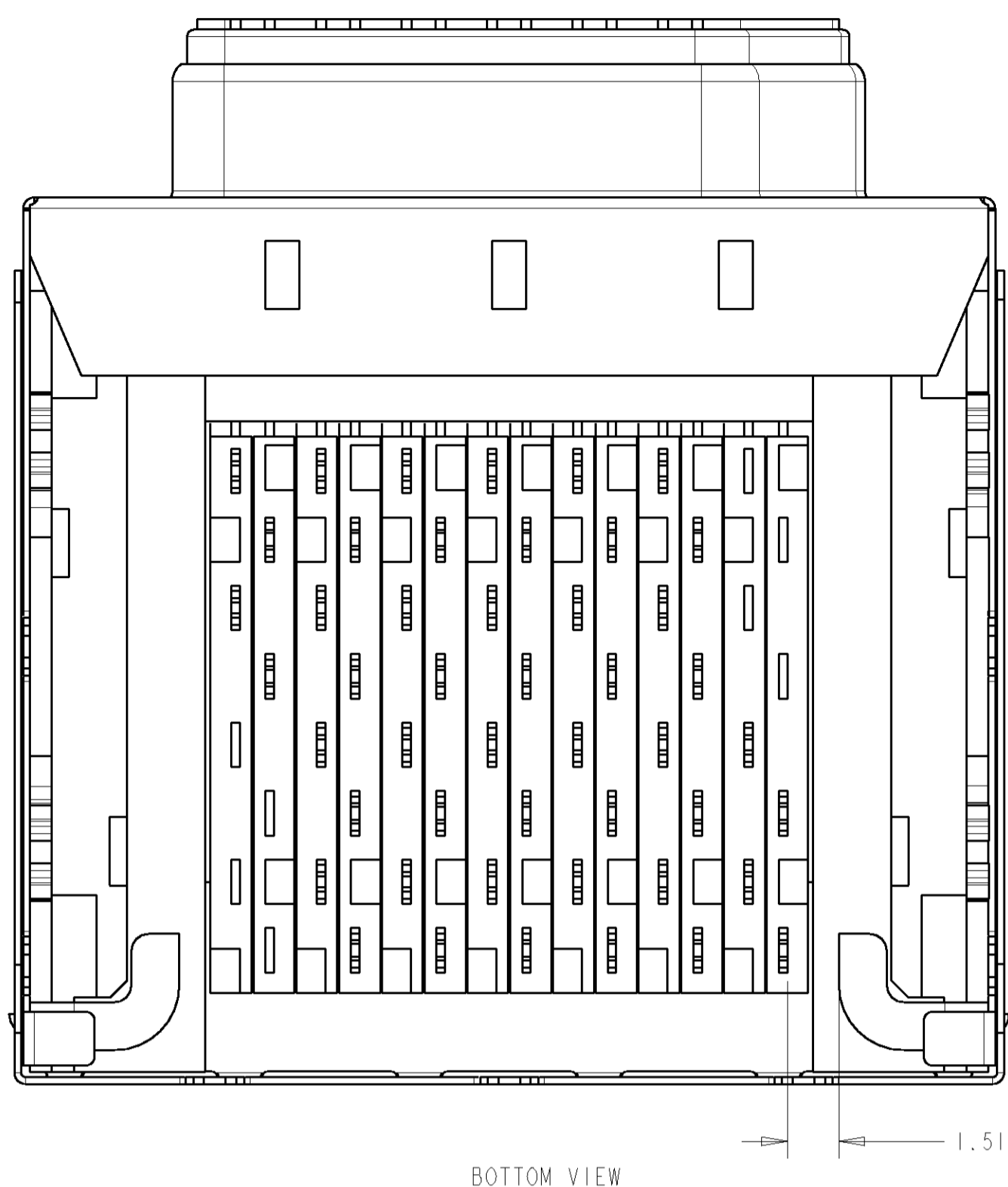
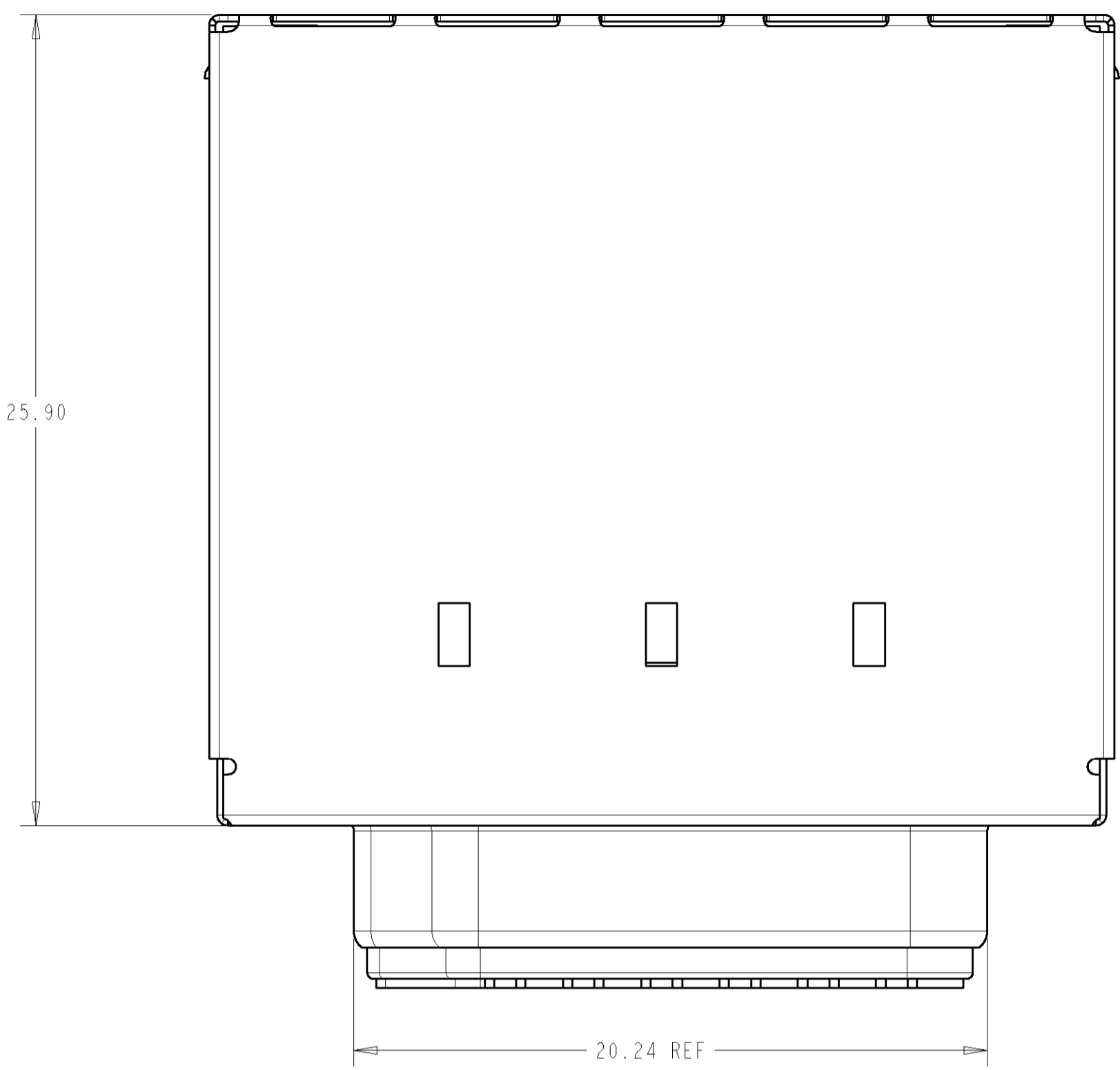
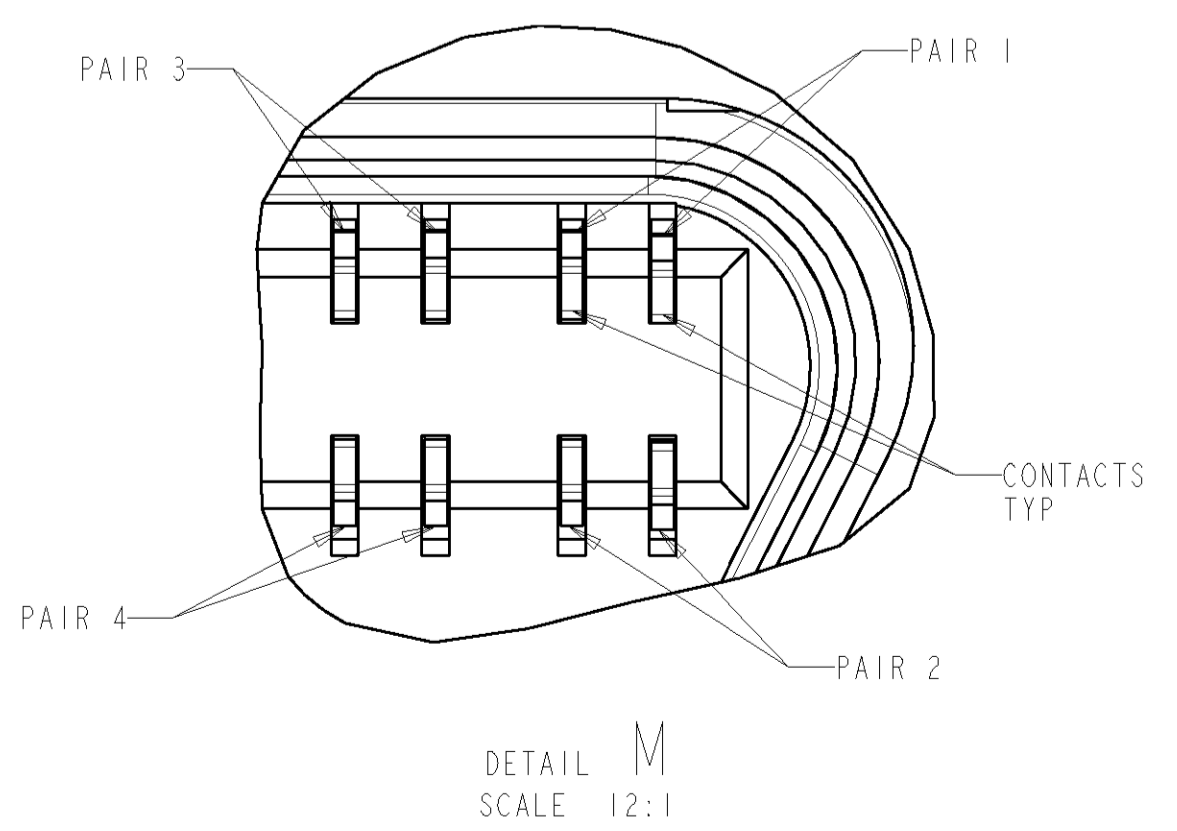
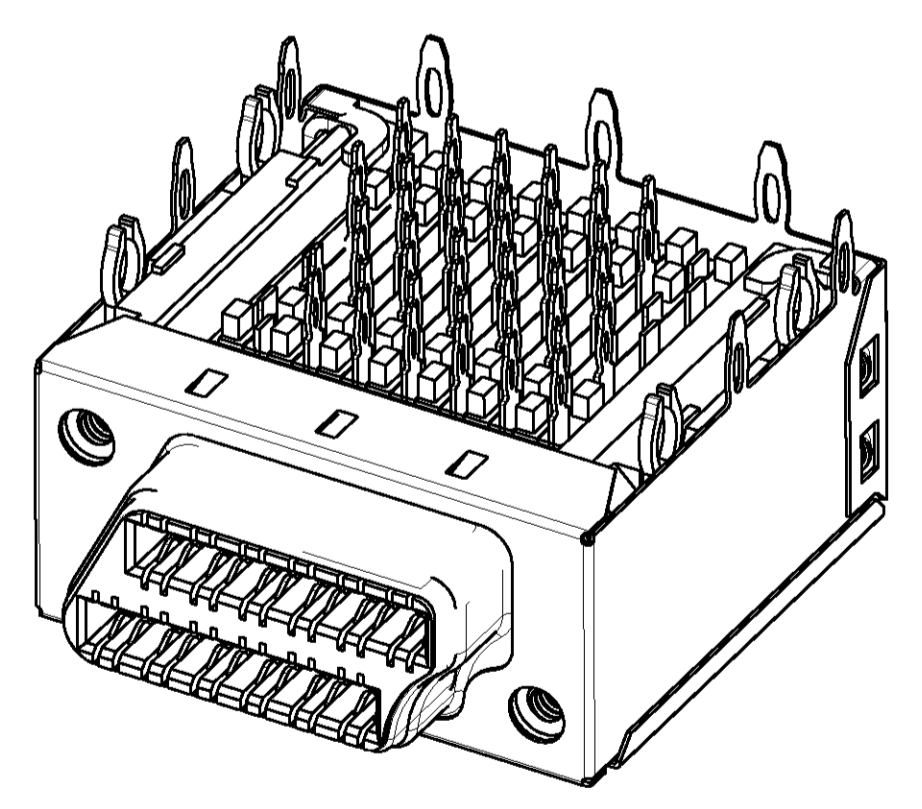
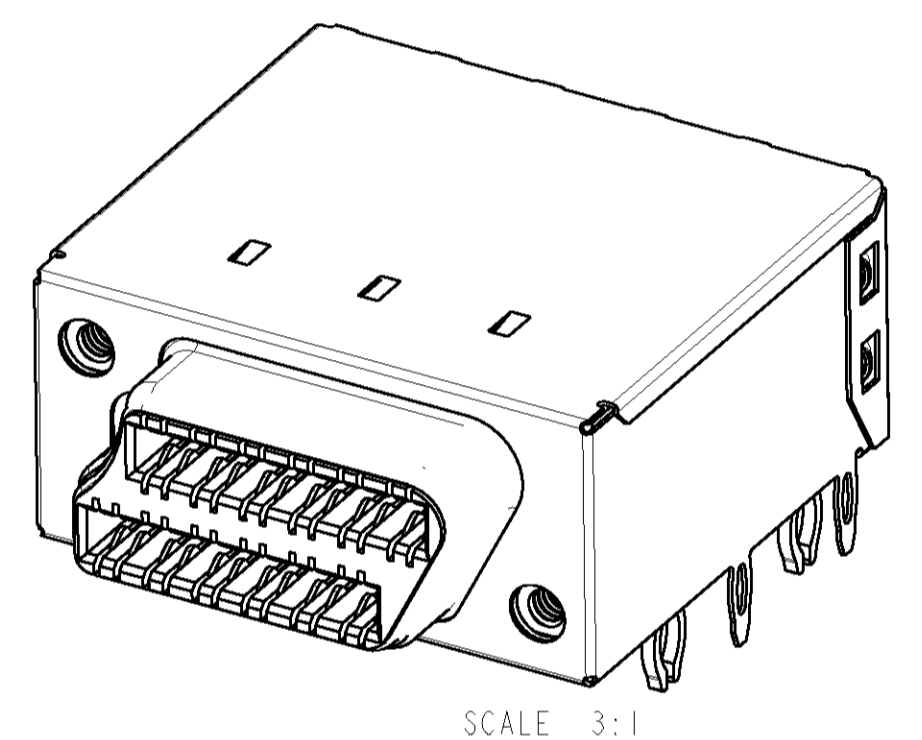
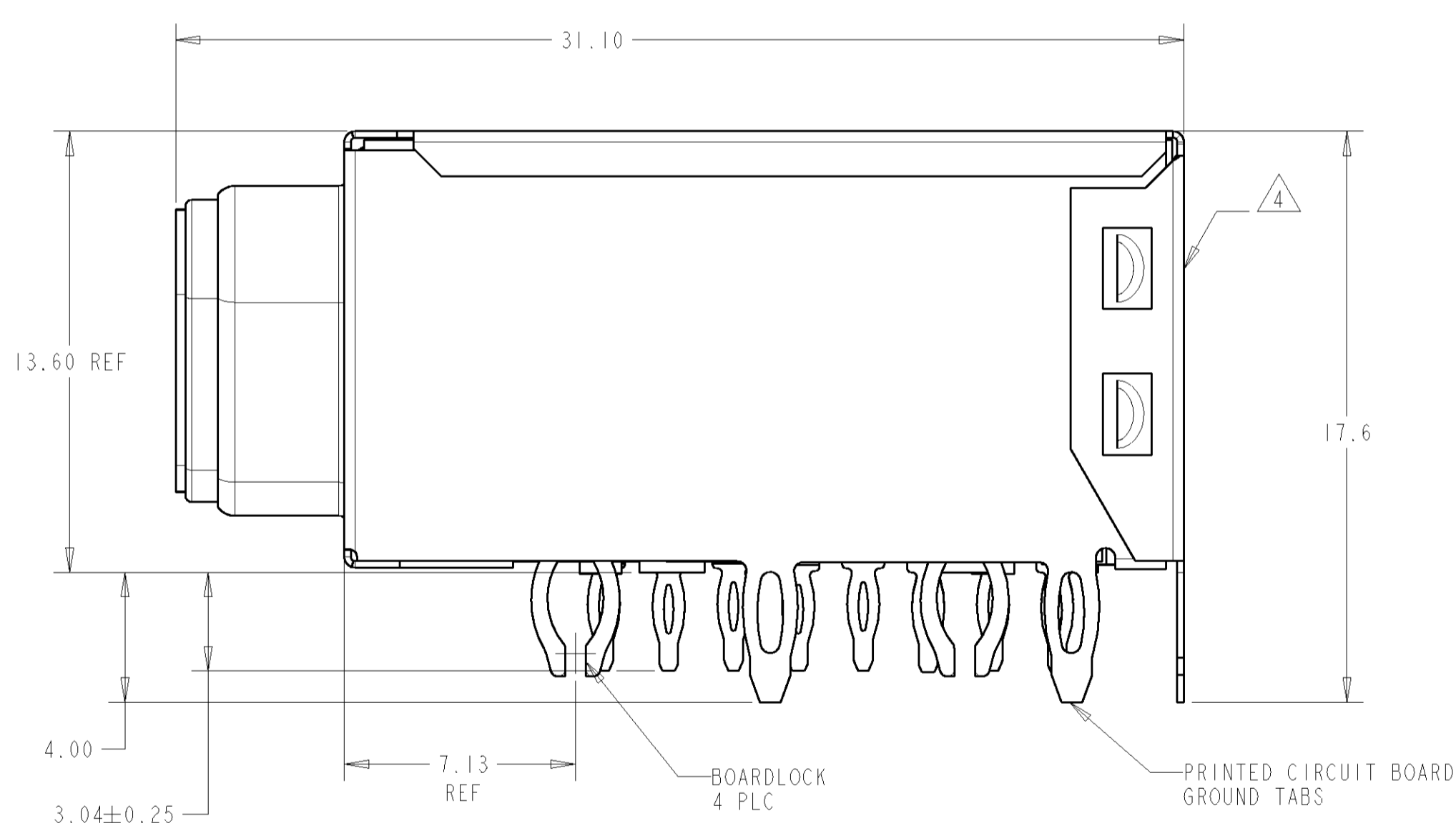
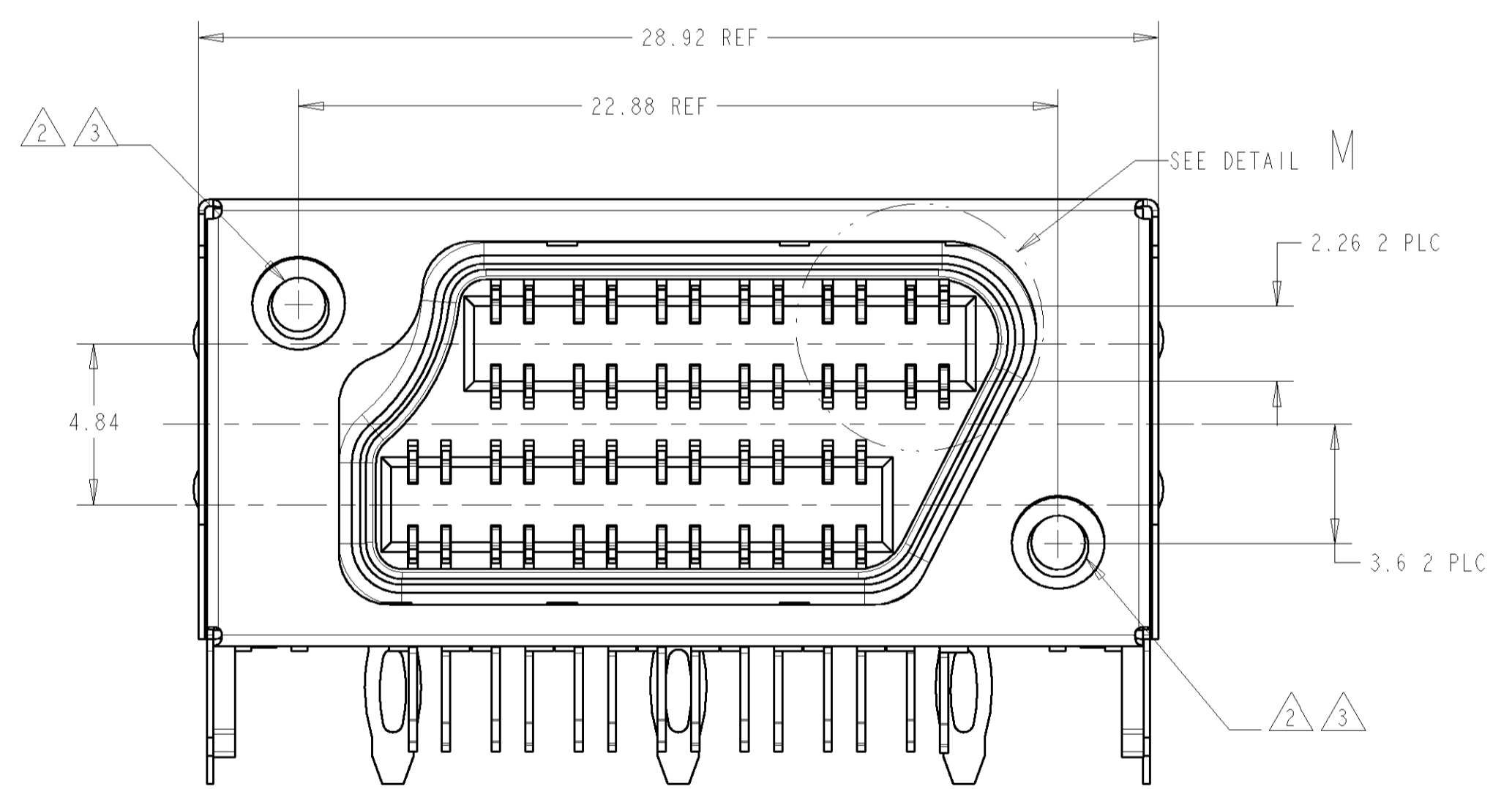


LOC		DIST		REVISIONS			
AA	00	P	LTR	DESCRIPTION	DATE	DRN	APVD
		A		RELEASED	12FEB2007	RG	PR



1. MATERIAL:  
 HOUSING - BLACK THERMOPLASTIC, PBT FLAMMABILITY RATING UL 94V-0  
 SHIELD - 0.2 MM THICK BRASS - PLATED 1.27µm MIN THK NICKEL.  
 FRONT DRAWN SHELL - CARBON STEEL - PLATED WITH 5.08µm MIN NICKEL  
 BOARD LOCKS - BRASS PLATED WITH 1.27µm MIN TIN OVER 1.27µm MIN NICKEL  
 CONTACTS - 0.254 MM THK. PHOSPHOR BRONZE - ENTIRE TERMINAL PLATED WITH 2.54µm MIN NICKEL. MATING AREA PLATED WITH GOLD FLASH OVER 0.76µm MIN Pd-Ni. PRESS FIT TAILS PLATED WITH 1.98µm MIN TIN  
 INSERTS, THREADED - MILD STEEL  
 SCREW LOCKS - STAINLESS STEEL.
- △ THE SCREW LOCKS ARE FOR USE WITH JACKSCREWS TO PROVIDE CABLE RETENTION. RECOMMENDED TORQUE FOR SCREW LOCK IS 4 IN-LB MAX
  - △ SCREWLOCK PART NUMBER 1339381-2 OR -4 MUST BE ORDERED SEPARATELY
  - △ DATE CODE AND PART NUMBER LABEL IN APPROXIMATE AREA SHOWN
  - △ DATUM AND BASIC DIMENSIONS ESTABLISHED BY CUSTOMER



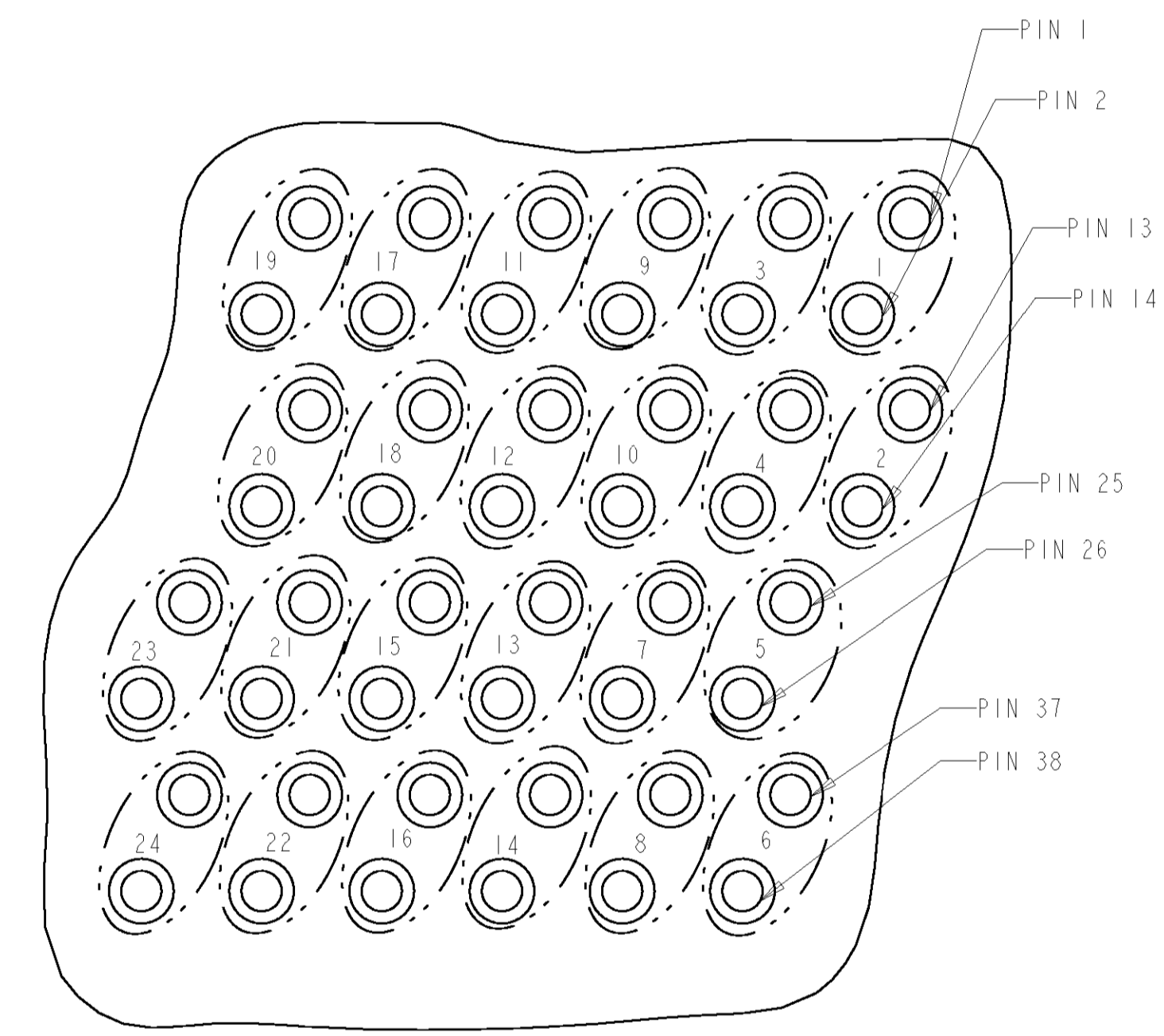
1888844-1  
 PART NUMBER

DIMENSIONS:		TOLERANCES UNLESS OTHERWISE SPECIFIED:		DWG: B. GRZYBOWSKI / Z1DEC2006		APVD: P. RECCE / Z1DEC2006		NAME: S. FLICKINGER		tyco Electronics		Tyco Electronics Harrisburg, PA 17105-3608	
mm	0 PLC ±	1 PLC ±0.1	2 PLC ±0.10	3 PLC ±	4 PLC ±	ANGLES	PRODUCT SPEC	108-2064	APPLICATION SPEC	SIZE	CAGE CODE	DRAWING NO	RESTRICTED TO
							WEIGHT	-	00779	C=1888844	SCALE	6:1	SHEET 1 OF 3
MATERIAL: SEE NOTE 1		FINISH: SEE NOTE 1		CUSTOMER DRAWING		ASSEMBLY: MRJ21 RECEPTACLE, 48 POSITION, PRESS FIT		REV A					

LOC	DIST	REVISIONS					
AA	00	P	LTR	DESCRIPTION	DATE	DRN	APVD
-	-	-	-	SEE SHEET 1	-	-	-

### MODULAR PLUG AND RJ-21 PIN-OUT FOR USE IN 10/100/1000 BASE-T APPLICATIONS

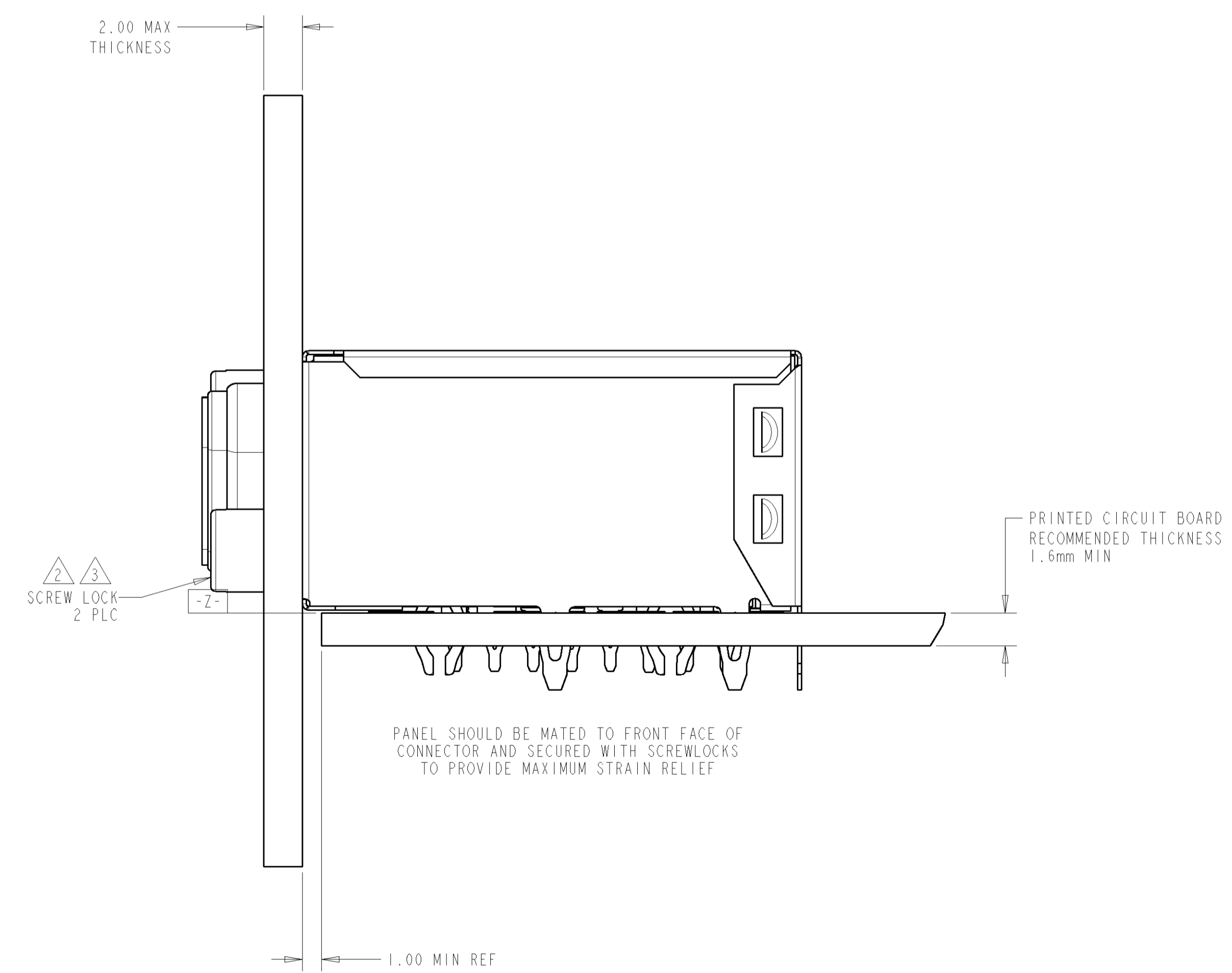
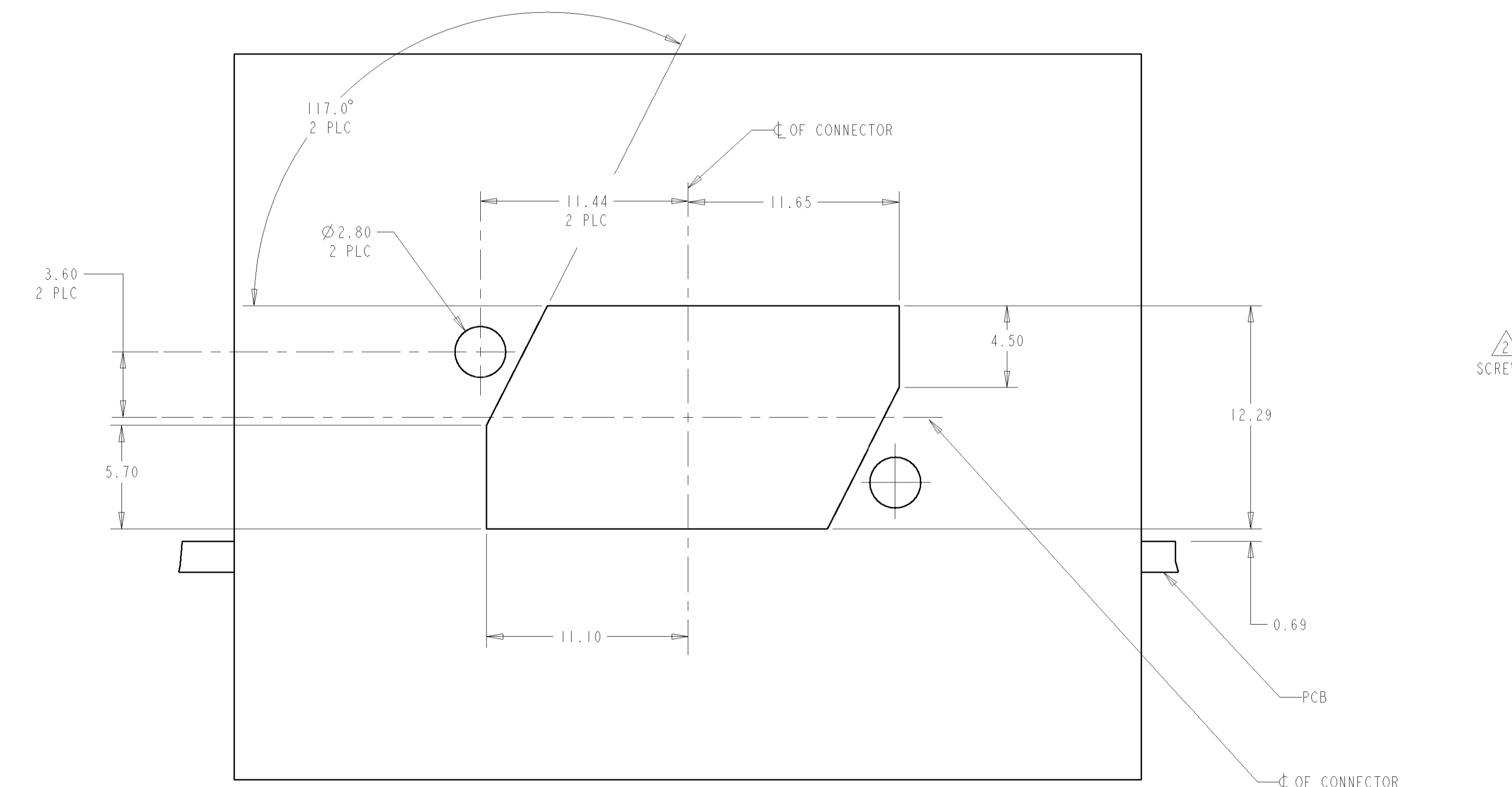
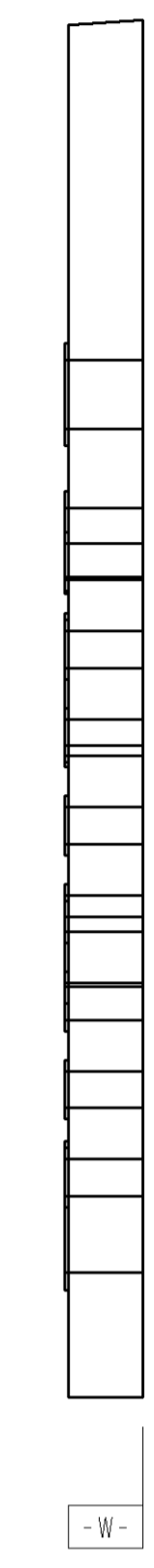
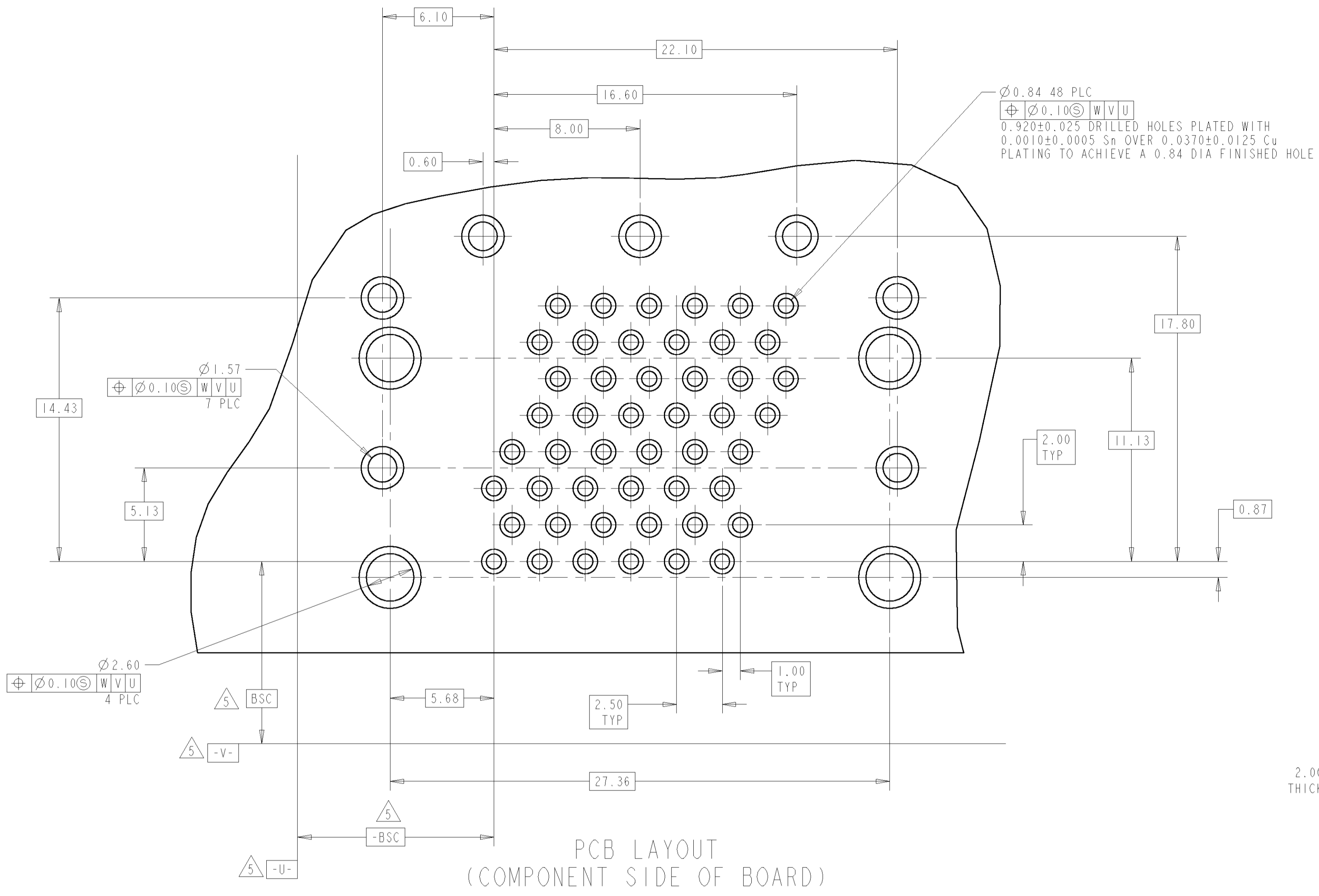
GIG ETHERNET PORT	PLUG POSN.	COLOR	10/100 ETHERNET PORT	PLUG POSN.	COLOR	RJ-21 PIN	MRJ 21 PIN	MRJ 21 PAIR NUM	
1	5	WHT/BLU	1	1	WHT/BLU	26	1	1	
	4	BLU/WHT		2	BLU/WHT	1	2		
	3	WHT/ORG		3	WHT/ORN	27	13	2	
	6	ORG/WHT		6	ORN/WHT	2	14		
	2	1	WHT/GRN	2	1	WHT/GRN	28	3	3
		2	GRN/WHT		2	GRN/WHT	3	4	
		7	WHT/BRN		3	WHT/BRN	29	15	4
		8	BRN/WHT		6	BRN/WHT	4	16	
3		5	WHT/GRY	3	1	WHT/GRY	30	25	5
		4	GRY/WHT		2	GRY/WHT	5	26	
		3	RED/BLU		3	RED/BLU	31	37	6
		6	BLU/RED		6	BLU/RED	6	38	
	4	1	RED/ORG	4	1	RED/ORN	32	27	7
		2	ORG/RED		2	ORN/RED	7	28	
		7	RED/GRN		3	RED/GRN	33	39	8
		8	GRN/RED		6	GRN/RED	8	40	
5		5	RED/BRN	5	1	RED/BRN	34	5	9
		4	BRN/RED		2	BRN/RED	9	6	
		3	RED/GRY		3	RED/GRAY	35	17	10
		6	GRY/RED		6	GRY/RED	10	18	
	6	1	BLK/BLU	6	1	BLK/BLU	36	7	11
		2	BLU/BLK		2	BLU/BLK	11	8	
		7	BLK/ORG		3	BLK/ORN	37	19	12
		8	ORG/BLK		6	ORN/BLK	12	20	
7		5	BLK/GRN	7	1	BLK/GRN	38	29	13
		4	GRN/BLK		2	GRN/BLK	13	30	
		3	BLK/BRN		3	BLK/BRN	39	41	14
		6	BRN/BLK		6	BRN/BLK	14	42	
	8	1	BLK/GRY	8	1	BLK/GRY	40	31	15
		2	GRY/BLK		2	GRY/BLK	15	32	
		7	YEL/BLU		3	YEL/BLU	41	43	16
		8	BLU/YEL		6	BLU/YEL	16	44	
9		5	YEL/ORG	9	1	YEL/ORN	42	9	17
		4	ORG/YEL		2	ORN/YEL	17	10	
		3	YEL/GRN		3	YEL/GRN	43	21	18
		6	GRN/YEL		6	GRN/YEL	18	22	
	10	1	YEL/BRN	10	1	YEL/BRN	44	11	19
		2	BRN/YEL		2	BRN/YEL	19	12	
		7	YEL/GRY		3	YEL/GRY	45	23	20
		8	GRY/YEL		6	GRY/YEL	20	24	
11		5	VIO/BLU	11	1	VIO/BLU	46	33	21
		4	BLU/VIO		2	BLU/VIO	21	34	
		3	VIO/ORG		3	VIO/ORN	47	45	22
		6	ORG/VIO		6	ORN/VIO	22	46	
	12	1	VIO/GRN	12	1	VIO/GRN	48	35	23
		2	GRN/VIO		2	GRN/VIO	23	36	
		7	VIO/BRN		3	VIO/BRN	49	47	24
		8	BRN/VIO		6	BRN/VIO	24	48	



PROPOSED PAIR GROUPING

DIMENSIONS: mm 		TOLERANCES UNLESS OTHERWISE SPECIFIED: 0 PLC ± 1 PLC ±0.1 3 PLC ±0.10 4 PLC ± ANGLES ±		DWG: B. GRZYBOWSKI / J. A. MAYER CHK: P. RECCE APVD: S. FLICKINGER DATE: 21 DEC 2006 DATE: 21 DEC 2006		<b>tyco</b> Electronics Tyco Electronics Harrisburg, PA 17105-3608	
MATERIAL: SEE NOTE 1 FINISH: SEE NOTE 1		PRODUCT SPEC: 108-2064 APPLICATION SPEC:		NAME: ASSEMBLY, MRJ21 RECEPTACLE, 48 POSITION, PRESS FIT SIZE: A   00779   C=1888844 SCALE: 6:1   SHEET: 2 OF 3   REV: A		RESTRICTED TO:	
CUSTOMER DRAWING				WEIGHT: -			

LOC	DIST	REV	DESCRIPTION	DATE	BY	APPD
AA	00		SEE SHEET 1			



DIMENSIONS: mm 		TOLERANCES UNLESS OTHERWISE SPECIFIED: 0 PLC ± 1 PLC ±0.1 2 PLC ±0.10 3 PLC ± 4 PLC ± ANGLES ±°		DWN: B. GRZYBOWSKI 21DEC2006 CHK: P. RECCE 21DEC2006 APPD: S. FLICKINGER 21DEC2006 NAME: ASSEMBLY, MRJ21 RECEPTACLE, 48 POSITION, PRESS FIT PRODUCT SPEC: 108-2064 APPLICATION SPEC: WEIGHT: - CUSTOMER DRAWING:		Tyco Electronics Harrisburg, PA 17105-3608 SCALE: 6:1 SHEET 3 OF 3 REV A	
--------------------	--	---	--	---	--	--	--

单击下面可查看定价，库存，交付和生命周期等信息

[>>TE Connectivity\(泰科\)](#)