

THIS DRAWING IS UNPUBLISHED.

RELEASED FOR PUBLICATION

20

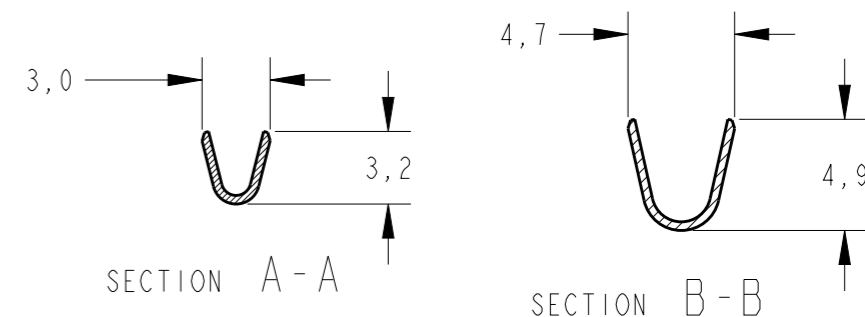
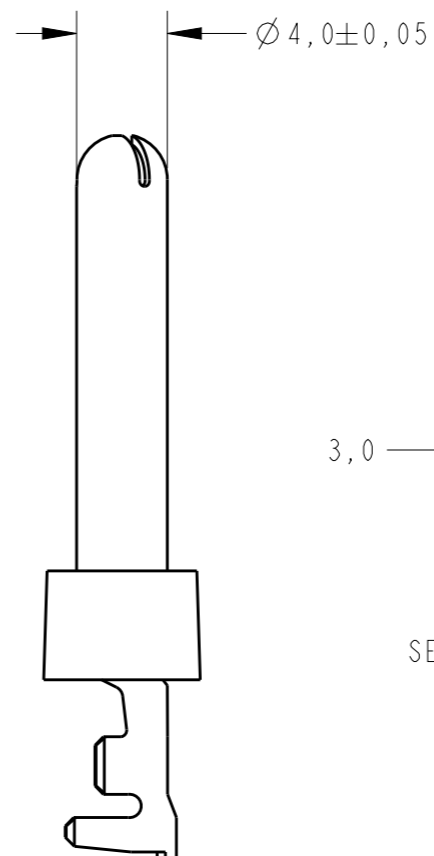
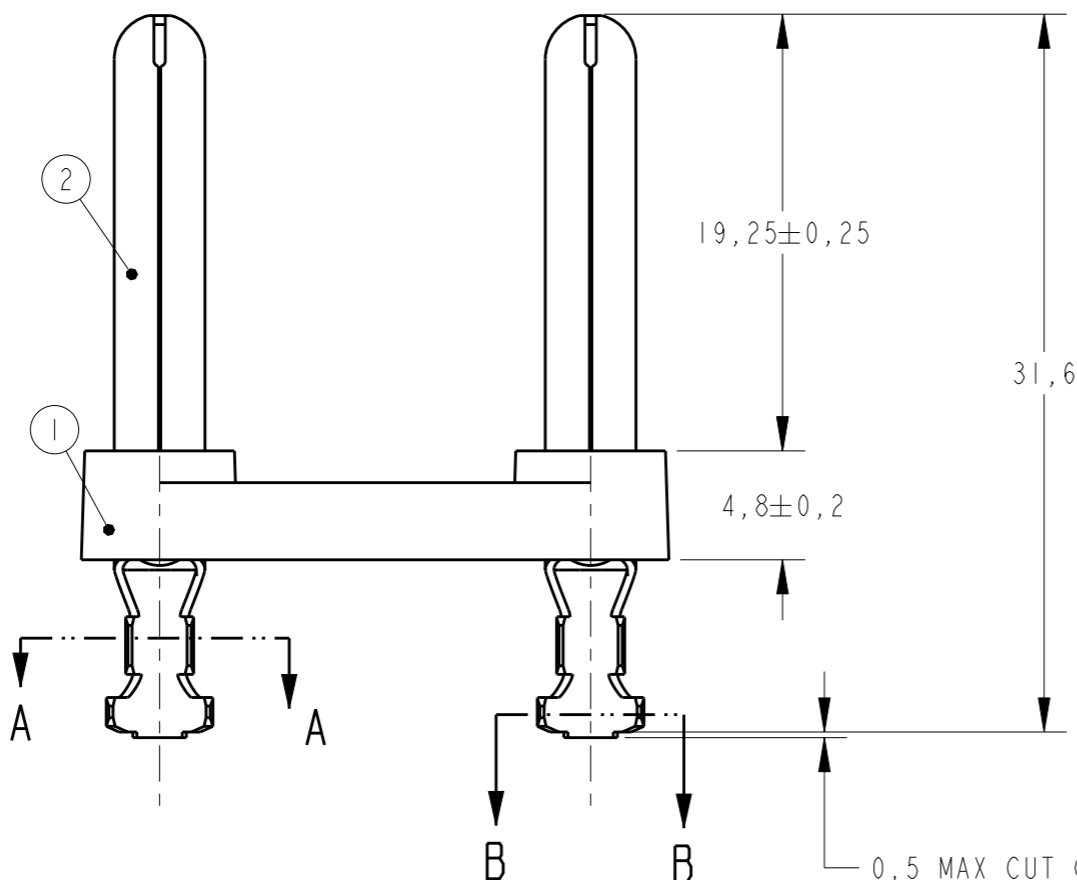
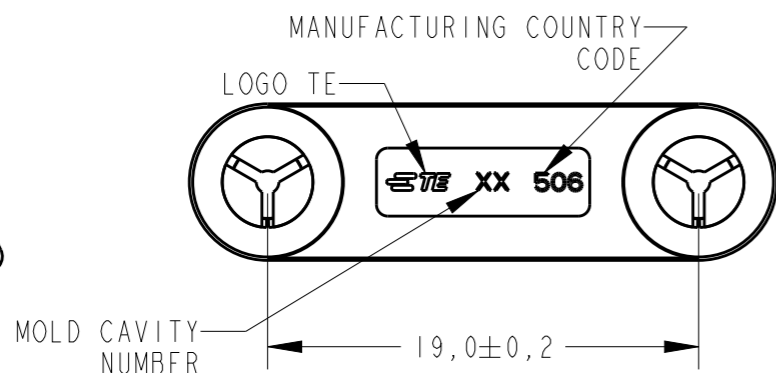
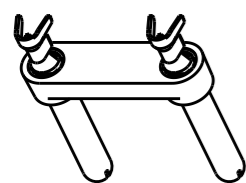
© COPYRIGHT 20 BY -

ALL RIGHTS RESERVED.

LOC AP DIST -

REVISIONS

P	LTR	DESCRIPTION	DATE	DWN	APVD
	A	REV. ECO 14-018354	09DEC2014	HC	WLS
	B	REV. ECO 15-002812	24FEB2015	HC	WLS
	C	REV. BY ECO 16-015157	20OCT2016	HC	WLS



0,5 MAX CUT OFF BURR PERMITTED

1-TERMINAL WIRE RANGE - 0,5/1,5mm²
INSULATION RANGE - Ø 2,0/3,0mm.



NICKEL PLATED	BRASS	WALL PLUG PIN	2	2819037-1
BLACK	PBT 30% GF	2 POS. WALL PLUG SPACER	1	
FINISH	MATERIAL	DESCRIPTION	ITEM NUMBER	PART NUMBER

THIS DRAWING IS A CONTROLLED DOCUMENT.		DWN 13MAY2014 H. CANTERI	TE Connectivity	
DIMENSIONS: mm		CHK 13MAY2014 W.L. STEFANI		
TOLERANCES UNLESS OTHERWISE SPECIFIED:		APVD -	NAME 2 POS. WALL PLUG ASSEMBLY	
0 PLC ± -		PRODUCT SPEC -	SIZE A3	
1 PLC ± 0,3		APPLICATION SPEC -	CAGE CODE 00779	DRAWING NO. 2819037
2 PLC ± 0,2		WEIGHT -	RESTRICTED TO -	
3 PLC ± -			SCALE 3:1	
4 PLC ± -			SHEET 1 OF 1	
ANGLES ± °			REV C	
MATERIAL -	FINISH -	Customer Drawing		

单击下面可查看定价，库存，交付和生命周期等信息

[>>TE Connectivity\(泰科\)](#)